

### Related Styles

Line Slot: Canyon Meadows II Softshell Jkt W		State: Production		Season: F24			
Merchandise Division: Outerwear		Merchandise Collection: Trail		Product Class: Soft Shell Tops			
Designer: nzan		Developer: wendall.nelson		LO Developer: kgokul			
Fit Engineer: wzeng				Sourcing Manager: melissa.gallagher			
Design:	F4WO208501	Sample LO:		Production LO:	India		
Style	Material Style	Style Description	Pattern	Base Size	Size Scale	Fit	SMU Type
WK7978	2085011	Canyon Meadows™ II Softshell Jacket	L22L2036	M	XS - XXL	Active	N/A



Style	Material Style	Style Description	Design	Pattern	Base Size	Size Scale	Sample LO	Production LO
WW7978	2085012	Canyon Meadows™ II Softshell Jacket	F4WO208501	L22W2036	1X	1X - 3X		India

This is confidential and proprietary information of Columbia Sportswear Company. You agree that you will not disclose this information to any third party or use it for any purpose other than on behalf of Columbia. You have no right to use Columbia's name or any of its trademarks, trade names, copyrights, patents, designs or other intellectual property except as set forth in writing by Columbia.

## Part Specifications with Approved Suppliers

Line Slot: Canyon Meadows II Softshell Jkt W      State: Production      Season: F24  
 Merchandise Division: Outerwear      Merchandise Collection: Trail      Product Class: Soft Shell Tops  
 Designer: nzan      Developer: wendall.nelson      LO Developer: kgokul      Sourcing Manager: melissa.gallagher  
 Fit Engineer: wzeng



Design: F4WO208501      Sample LO:      Production LO: India      Vendor Master: INDIA      Vendor Master: INDIA  
 Style:      Material Style:      Style Description:      Pattern:      Base Size:      Size Scale:      Fit:      SMU Type:      Production LO:      Sourcing LO:

WK7978      2085011      Canyon Meadows™ II Softshell Jacket      L22L2036      M      XS - XXL      Active      N/A

Number	Description	UM	Fiber Content	Fiber Content Back	Material Coating	Material Finish (Face)	Material Laminate	Trim Specific	Supplier Art No	Country of Origin	Standard Cost (FOB)	Purchase Cost (CIF)	Product on Lead Time with Greige	Product on Lead Time without Greige	
<b>Fabric</b>															
122449	PFC Free version of 116189 Better Level Technical softshell with texture- 4 way with OHI	yd	100% Polyester	100% Polyester	Material Coating: None	Durable Water Repellent (80/10HL) CO PFOA/PFOS Free	3 Layer Waterproof Hydrophobic Microporous Polyurethane								
Sintex Industrial CO., LTD			Fabric Width: 56.0 in Width Type: cuttable Primary Weight: 274.0 g/m2							S3K-2256C0-2	Taiwan	6.68	0.0	90	110
122460	PFC Free Version of 117236 Better Level Technical Softshell with Texture- Jersey Backer	yd	100% Polyester	100% Polyester	Material Coating: None	Durable Water Repellent (80/10HL) CO PFOA/PFOS Free	3 Layer Waterproof Hydrophobic Microporous Polyurethane								
Sintex Industrial CO., LTD			Fabric Width: 57.0 in Width Type: cuttable Primary Weight: 260.0 g/m2							S3K-2257C0-2	Taiwan	5.25	0.0	85	105
Shanghai Jiuyu Textile Technology Co Ltd			Fabric Width: 260.0 in Width Type: cuttable Primary Weight: 57.0 g/m2							122460	China	4.9	0.0	75	95
004476	FOR POCKETING AND YOUTH STYLES ONLY Chamois Touch Tricot	yd	100% Polyester	unassigned	unassigned	Anti-pill (face), Brushed (Tech Face)	unassigned								
Huge-Bamboo Enterprise Co., Ltd.			Fabric Width: 60.0 in Width Type: cuttable Primary Weight: 75.0 g/m2							RA145069-7C-5910225A	Vietnam	0.65	0.0	35	50
Haren Textiles Pvt. Ltd.			Fabric Width: 60.0 in Width Type: cuttable Primary Weight: 80.0 g/m2							90363	India	0.68	0.0	30	45
YOUNGONE CORPORATION--Fabric division			Fabric Width: 60.0 in Width Type: cuttable Primary Weight: 77.0 g/m2							PDM004476	Bangladesh	0.915	0.0	40	70
Huge Rock Textile Co., Ltd.			Fabric Width: 60.0 in Width Type: cuttable Primary Weight: 75.0 g/m2							004476	Taiwan	0.95	0.0	60	75
HTT Insprite (Xiamen) Imp & Exp Co. Ltd.			Fabric Width: 60.0 in Width Type: cuttable Primary Weight: 75.0 g/m2							004476	China	0.67	0.0	35	60
032201	Abrasion Resist Brushed Tricot	yd	100% Polyester	unassigned	unassigned	Durable Water Repellent (80/10HL) CO PFOA/PFOS Free. Brushed (Tech Face)	unassigned								

### Part Specifications with Approved Suppliers

Line Slot: Canyon Meadows II Softshell Jkt W      State: Production      Season: F24  
 Merchandise Division: Outerwear      Merchandise Collection: Trail      Product Class: Soft Shell Tops  
 Designer: nzan      Developer: wendall.nelson      LO Developer: kgokul      Sourcing Manager: melissa.gallagher  
 Fit Engineer: wzeng



Design: F4WO208501      Sample LO:      Production LO: India      Vendor Master: INDIA      Vendor Master: INDIA  
 Style: Material Style      Style Description      Pattern      Base Size      Size Scale      Fit      SMU Type      Production LO:      Sourcing LO:  
 WK7978      2085011      Canyon Meadows™ II Softshell Jacket      L22L2036      M      XS - XXL      Active      N/A

Number	Description	UM	Fiber Content	Fiber Content Back	Material Coating	Material Finish (Face)	Material Laminate	Trim Specific	Supplier Art No	Country of Origin	Standard Cost (FOB)	Purchase Cost (CIF)	Product on Lead Time with Greige	Product on Lead Time without Greige
Huge-Bamboo Enterprise Co., Ltd.			Fabric Width: 60.0 in    Width Type: cuttable    Primary Weight: 215.0 g/m2						RA185051-2C-8908277	Vietnam	2.38	0.0	40	55
HTT Insprite (Xiamen) Imp & Exp Co. Ltd.			Fabric Width: 60.0 in    Width Type: cuttable    Primary Weight: 215.0 g/m2						032201	China	2.28	0.0	35	60
110671	Recycled Interlining Sew-In Non-Woven Lightweight Soft SAME AS VIRGIN VERSION 011958	yd	80% Recycled Polyester, 20% Viscose	unassigned	unassigned	unassigned	unassigned							
Freudenberg-Hong Kong			Fabric Width: 39.0 in    Width Type: cuttable    Primary Weight: 30.0 g/m2						AO 201	Taiwan	0.27	0.0	14	30
MaxBond			Fabric Width: 48.0 in    Width Type: cuttable    Primary Weight: 30.0 g/m2						Recycled 011958	Vietnam	0.3	0.0	15	30
<b>Trim</b>														
003374	64mm (B) Bug Columbia Logo Embroidery 1 clr Est st ct 1570.	ea	unassigned	unassigned	unassigned	unassigned	unassigned	Size UM: mm Width: 64.0 Height: 11.6						
Contractor									unassigned	unassigned	0.0	0.0	0	0
FGV - Kenpark Bangladesh Apparel									003374	unassigned	0.0	0.0	0	0
FGV - HKD GLOBAL LTD (HKD)									003374	unassigned	0.0	0.0	0	0
070437	2.5mm 4 color non stretch d/c	yd	100% Polyester	unassigned	unassigned	unassigned	unassigned	Size UM: mm						
Paiho Global									070437	Taiwan	0.06	0.0	30	60
Chun Wo Ho Co. Ltd									070437	China	0.11	0.0	30	35
FGV - Shahi Exports Pvt. (SEP) Ltd.									070437	India	0.0406	0.0	15	20
Naturub Group of Companies									BBA023189	Bangladesh	0.05	0.0	40	40
008166	1.5mm non stretch drawcord w/ticks 2 clr (ECO version use 082935)	yd	100% Polyester	unassigned	unassigned	unassigned	unassigned	Size UM: yd						
Chun Wo Ho Co. Ltd									320704	China	0.07	0.0	30	35
Gong Myung Korea									GM-8166	South Korea	0.06	0.0	30	30
Paiho Global									008166	Taiwan	0.049	0.0	30	60
Naturub Group of Companies									BBA011534 (Multicolor) / BBA-011773 (Solid color)	Bangladesh	0.0456	0.0	15	25
FGV Sourced									008166	unassigned	0.0609	0.0	15	0
FGV - Shahi Exports Pvt. (SEP) Ltd.									008166	India	0.0456	0.0	15	25



### Part Specifications with Approved Suppliers

Line Slot: Canyon Meadows II Softshell Jkt W      State: Production      Season: F24  
 Merchandise Division: Outerwear      Merchandise Collection: Trail      Product Class: Soft Shell Tops  
 Designer: nzan      Developer: wendall.nelson      LO Developer: kgokul      Sourcing Manager: melissa.gallagher  
 Fit Engineer: wzeng



Design: F4WO208501      Sample LO:      Production LO: India      Vendor Master INDIA      Vendor Master INDIA  
 Production LO:      Sourcing LO:  
 Style      Material Style      Style      Pattern      Base Size      Size Scale      Fit      SMU Type  
 Description  
 WK7978      2085011      Canyon Meadows™ II Softshell Jacket      L22L2036      M      XS - XXL      Active      N/A

Number	Description	UM	Fiber Content	Fiber Content Back	Material Coating	Material Finish (Face)	Material Laminate	Trim Specific	Supplier Art No	Country of Origin	Standard Cost (FOB)	Purchase Cost (CIF)	Product on Lead Time with Greige	Product on Lead Time without Greige
Naturub Group of Companies									BLD-008050	Bangladesh	0.11	0.0	14	28
126911	CNT8OL-56 DA8BLH EF P -TOP WATER-J REVERSE OpenEnd Left-in LargeHole PI MatteEnml Sldr/PI PlasticTopStop PU Coated WtrRep Tape RevCoil (not available for neon colors) Recycled	ea	unassigned	unassigned	unassigned	unassigned	unassigned	Size UM: ea Length: 8.0						
Ideal Fastener Global									IE-SATKNSFU OL56 B IP41	unassigned	0.72	0.0	35	42
YKK Global									CNT8OL-56 DA8BLH EF P-TOP WATER-J REVERSE	unassigned	0.6118	0.0	55	55
126816	CFC-36 DALH EF T-B-0 Cisd AutoLk LargeHole MatteEnml Sldr/PI NoStps metal content	ea	unassigned	unassigned	unassigned	unassigned	unassigned	Size UM: ea Length: 4.0						
Ideal Fastener Global									IE-NC36 N36B IP41	unassigned	0.0799	0.0	21	28
YKK Global									CFC-36 DALH EFJ T -B-0 Cisd AutoLk LargeHole MatteEnml Sldr/PI NoStps metal content	unassigned	0.0987	0.0	35	40
059200	40mm CSC International Size Extended Woven ECO Loop Label for use with Hanger Loop	ea	100% Recycled Polyester	unassigned	unassigned	unassigned	unassigned	Size UM: mm						
Avery Dennison Global									059200	China	0.05956	0.0	30	30
Dong Young									DY-59200	South Korea	0.057	0.0	25	25
Manohar Filaments									23/11813/2	India	0.0446	0.0	14	30

## Part Specifications with Approved Suppliers

Line Slot: Canyon Meadows II Softshell Jkt W      State: Production      Season: F24  
 Merchandise Division: Outerwear      Merchandise Collection: Trail      Product Class: Soft Shell Tops  
 Designer: nzan      Developer: wendall.nelson      LO Developer: kgokul      Sourcing Manager: melissa.gallagher  
 Fit Engineer: wzeng

Design: F4WO208501      Sample LO:      Production LO: India      Vendor Master: INDIA      Vendor Master: INDIA  
 Production LO:      Production LO:      Sourcing LO:      Sourcing LO:  
 Style      Material Style      Style      Pattern      Base Size      Size Scale      Fit      SMU Type  
 Description  
 WK7978      2085011      Canyon      L22L2036      M      XS - XXL      Active      N/A  
 Meadows™ II  
 Softshell  
 Jacket



Number	Description	UM	Fiber Content	Fiber Content Back	Material Coating	Material Finish (Face)	Material Laminate	Trim Specific	Supplier Art No	Country of Origin	Standard Cost (FOB)	Purchase Cost (CIF)	Product on Lead Time with Greige	Product on Lead Time without Greige
006564	33mm Care Content ECO Booklet Fold label with fully translated country of origin WHT/BLK for most, BLK/WHT for Titanium only, GRY/BLK is for Garment DYE ONLY	ea	100% Recycled Polyester	unassigned	unassigned	unassigned	unassigned	Size UM: mm						
Dong Young									DY-006564	South Korea	0.038	0.0	15	15
Avery Dennison Global									S2088861-8	China	0.01905	0.0	30	30
Bao Shen (Apparel)									YL15110003 0 PS7530A5	unassigned	0.019	0.0	7	21
Nexgen Packaging Global									006564	unassigned	0.0221	0.0	21	28
121612	MSRP/UPC with RFID Specs for MSRP. Please refer to VAS specs for any exceptions. MSRP required on all product shipping to the US.	ea	unassigned	unassigned	unassigned	unassigned	unassigned	Size UM: mm						
Bao Shen (Apparel)									n/a	unassigned	0.049	0.0	7	0
Avery Dennison Global									n/a	unassigned	0.04875	0.0	14	0
126966	Active Fit Swing Tag	ea	unassigned	unassigned	unassigned	unassigned	unassigned	Size UM: in						
Hang Sang Press Co. Ltd									n/a	unassigned	0.023	0.0	0	0
126967	Regular Fit Swing Tag	ea	unassigned	unassigned	unassigned	unassigned	unassigned	Size UM: in						
Hang Sang Press Co. Ltd									n/a	unassigned	0.023	0.0	0	0
126995	Columbia Omni-Heat Infinity, Omni-Shield Hangtag	ea	unassigned	unassigned	unassigned	unassigned	unassigned	Size UM: in						
Hang Sang Press Co. Ltd									n/a	unassigned	0.0287	0.0	0	0
980001	Polybag See Standard CCS 4200 for specifications	ea	unassigned	unassigned	unassigned	unassigned	unassigned	Size UM: mm						
Contractor									980001	unassigned	0.0	0.0	0	0
980010	UPC Bag Sticker Generic (MHW/Columbia) See CCS4400/ 4401 and MHW4402 for Mt Hardware for instructions	ea	unassigned	unassigned	unassigned	unassigned	unassigned	Size UM: mm						
Hang Sang Press Co. Ltd									980010	Hong Kong	0.016	0.0	0	14
Avery Dennison Global									980010	China	0.01323	0.0	30	30

### Part Specifications with Approved Suppliers

Line Slot: Canyon Meadows II Softshell Jkt W      State: Production      Season: F24  
 Merchandise Division: Outerwear      Merchandise Collection: Trail      Product Class: Soft Shell Tops  
 Designer: nzan      Developer: wendall.nelson      LO Developer: kgokul      Sourcing Manager: melissa.gallagher  
 Fit Engineer: wzeng



Design:      F4WO208501      Sample LO:      Production LO: India      Vendor Master INDIA      Vendor Master INDIA  
 Production LO:      Production LO:      Sourcing LO:  
 Style      Material Style      Style      Pattern      Base Size      Size Scale      Fit      SMU Type  
 Description  
 WK7978      2085011      Canyon Meadows™ II Softshell Jacket      L22L2036      M      XS - XXL      Active      N/A

Number	Description	UM	Fiber Content	Fiber Content Back	Material Coating	Material Finish (Face)	Material Laminate	Trim Specific	Supplier Art No	Country of Origin	Standard Cost (FOB)	Purchase Cost (CIF)	Producti on Lead Time with Greige	Producti on Lead Time without Greige
FGV Sourced									980010	unassigned	0.0	0.0	0	0
Bao Shen (Apparel)									980010	unassigned	0.011	0.0	7	21
Nexgen Packaging Global									980010	unassigned	0.0116	0.0	21	28
064194	Outer Carton for costing purpose only	ea	unassigned	unassigned	unassigned	unassigned	unassigned	Size UM: mm						
Contractor									064194	unassigned	0.0	0.0	0	0

This is confidential and proprietary information of Columbia Sportswear Company. You agree that you will not disclose this information to any third party or use it for any purpose other than on behalf of Columbia. You have no right to use Columbia's name or any of its trademarks, trade names, copyrights, patents, designs or other intellectual property except as set forth in writing by Columbia.

**Color BOM**

Line Slot: Canyon Meadows II Softshell Jkt W      State: Production      Season: F24  
 Merchandise Division: Outerwear      Merchandise Collection: Trail      Product Class: Soft Shell Tops  
 Designer: nzan      Developer: wendall.nelson      LO Developer: kgokul      Sourcing Manager: melissa.gallagher  
 Fit Engineer: wzeng

Design: F4WO208501      Sample LO:      Production LO: India  
 Style Material Style Style Description Pattern Base Size Size Scale Fit SMU Type  
 WK7978 2085011 Canyon Meadows™ II L22L2036 M XS - XXL Active N/A  
 Softshell Jacket



Component	Details	Placement	Usage	Width	Marker Width	010-Black	609-Fig
<b>SAP Material Code</b>						2085011010 2085012010	2085011609 2085012609
<b>SMU Accounts</b>						N/A	N/A
Shell 1	122449 PFC Free version of 116189 Better Level Technical softshell with texture- 4 way with OHI Composite 100% Polyester 100% Polyester 44 Durable Water Repellent (80/10HL) C0 PFOA/PFOS Free MaterialCoatingNone 3 Layer Waterproof Hydrophobic Microporous Polyurethane 274.0 g/m2 Piece Dye/Jet NA		0.383 yd	56.0	0	Black	Fig
Shell 2	122460 PFC Free Version of 117236 Better Level Technical Softshell with Texture- Jersey Backer Composite 100% Polyester 100% Polyester 44 Durable Water Repellent (80/10HL) C0 PFOA/PFOS Free MaterialCoatingNone 3 Layer Waterproof Hydrophobic Microporous Polyurethane 260.0 g/m2 Piece Dye/Jet NA		1.23 yd	57.0	0	Black	Fig
Lining 1	004476 FOR POCKETING AND YOUTH STYLES ONLY Chamois Touch Tricot Tricot 100% Polyester 28 Anti-pill (face), Brushed (Tech Face) 80.0 g/m2 Piece Dye/Jet NA		0.22 yd	60.0	0	Black	Fig



### Color BOM

Line Slot: Canyon Meadows II Softshell Jkt W		State: Production		Season: F24			
Merchandise Division: Outerwear	Merchandise Collection: Trail	Product Class: Soft Shell Tops					
Designer: nzan	Developer: wendall.nelson	LO Developer: kgokul		Sourcing Manager: melissa.gallagher			
Fit Engineer: wzeng							
Design:	F4WO208501	Sample LO:	Production LO: India				
Style	Material Style	Style Description	Pattern	Base Size	Size Scale	Fit	SMU Type
WK7978	2085011	Canyon Meadows™ II Softshell Jacket	L22L2036	M	XS - XXL	Active	N/A



Component	Details	Placement	Usage	Width	Marker Width	010-Black	609-Fig
<b>SAP Material Code</b>						<b>2085011010</b>	<b>2085011609</b>
						<b>2085012010</b>	<b>2085012609</b>
Lining 2	032201 Abrasion Resist Brushed Tricot Tricot 100% Polyester 28 Durable Water Repellent (80/10HL) C0 PFOA/PFOS Free, Brushed (Tech Face) 215.0 g/m2 Piece Dye/Jet NA		0.06 yd	60.0	0	Black	Fig
Interfacing 1	110671 Recycled Interlining Sew-In Non-Woven Lightweight Soft SAME AS VIRGIN VERSION 011958 Interlining 80% Recycled Polyester, 20% Viscose 30.0 g/m2		0.065 yd	39.0	0	White	White
Direct Embroidery 1	003374 64mm (B) Bug Columbia Logo Embroidery 1 clr Est st ct 1570. Width: 64.0 Height: 11.6		1 ea	0.0	0	Columbia Grey	Grill
Drawcord-Cording-Laces 1	070437 2.5mm 4 color non stretch d/c		0.2 yd	0.0	0	Black, Grill, Black, Grill	Grill, Columbia Grey, Grill, Columbia Grey
Drawcord-Cording-Laces 2	008166 1.5mm non stretch drawcord w/ticks 2 clr (ECO version use 082935)		0.68 yd	0.0	0	Black, Grill	Grill, Columbia Grey
Label Logo 1	059197 USE ONLY FOR ALL ADULT sizes AND YOUTH S-XL 42mm x 8mm Lightweight Stripe woven ECO Hanger Loop DOWN 2 clr other colors w Director approval only		1 ea	0.0	0	Columbia Grey, Grill	Columbia Grey, Grill
Label Logo 2	061152 3mm Non stretch Interchange Drawcord for hanger loop 2 clr		1 ea	0.0	0	Black, Grill	Grill, Columbia Grey
Thread 1	060282 Coats Epic Tex 30 thread	(9/6) Updated	40 meter	0.0	0	DTM	DTM
Thread 2	008214 Coats ASTRA Spun Polyester Tex 27 40/2		550 meter	0.0	0	DTM	DTM

### Color BOM

Line Slot: Canyon Meadows II Softshell Jkt W		State: Production		Season: F24	
Merchandise Division: Outerwear		Merchandise Collection: Trail		Product Class: Soft Shell Tops	
Designer: nzan		Developer: wendall.nelson		LO Developer: kgokul	
Fit Engineer: wzeng		Sourcing Manager: melissa.gallagher			
Design:	F4WO208501	Sample LO:	Production LO:	India	
Style	Material Style	Style Description	Pattern	Base Size	Size Scale
WK7978	2085011	Canyon Meadows™ II Softshell Jacket	L22L2036	M	XS - XXL
				Fit	SMU Type
				Active	N/A



Component	Details	Placement	Usage	Width	Marker Width	010-Black	609-Fig
<b>SAP Material Code</b>						<b>2085011010</b>	<b>2085011609</b>
						<b>2085012010</b>	<b>2085012609</b>
Webbing and Tape 1	360183 3/4 in W Foldover (3/8 to show) Woven Stretch Binding 1 clr FOR CAN STYLES PRODUCED IN VN use 110808 Width: 0.75		0.56 yd	0.0	0	Black	Fig
Webbing and Tape 2	360183 3/4 in W Foldover (3/8 to show) Woven Stretch Binding 1 clr FOR CAN STYLES PRODUCED IN VN use 110808 Width: 0.75		0.55 yd	0.0	0	Black	Fig
Webbing and Tape 3	360228 3/8 in W Stretch flat Woven Binding 1 clr Width: 10.0	For Hood seam binding	1.36 yd	0.0	0	Black	Fig
Webbing and Tape 4	360228 3/8 in W Stretch flat Woven Binding 1 clr Width: 10.0	For CF Zipper binding	1.91 yd	0.0	0	Black	Fig
Webbing and Tape 5	360228 3/8 in W Stretch flat Woven Binding 1 clr Width: 10.0	For Neck seam binding	0.75 yd	0.0	0	Black	Fig
Zipper 1	126911 CNT8OL-56 DA8BLH EF P-TOP WATER-J REVERSE OpenEnd Left-in LargeHole PI MatteEnml Sldr/PI PlasticTopStop PU Coated WtrRep Tape RevCoil (not available for neon colors) Recycled Length: 8.0		1 ea	0.0	0	Black - YKK 580	Mauvelous-YKK 069
Zipper 2	126816 CFC-36 DALH EF T-B-0 Clsd AutoLk LargeHole MatteEnml Sldr/PI NoStps metal content Length: 4.0		2 ea	0.0	0	Black	Fig
Label 1	059200 40mm CSC International Size Extended Woven ECO Loop Label for use with Hanger Loop		1 ea	0.0	0	White, Columbia Grey, Compass Blue	White, Columbia Grey, Compass Blue
Label 2	006564 33mm Care Content ECO Booklet Fold label with fully translated country of origin WHT/BLK for most, BLK/WHT for Titanium only, GRY/BLK is for Garment DYE ONLY		1 ea	0.0	0	White, Black	White, Black
Hangtag Package Part	121612 MSRP/UPC with RFID Specs for MSRP. Please refer to VAS specs for any exceptions. MSRP required on all product shipping to the US.		1 ea	0.0	0	Artwork	Artwork
Hangtag Package Part	126966 Active Fit Swing Tag		1 ea	0.0	0	Artwork	Artwork

### Color BOM

Line Slot: Canyon Meadows II Softshell Jkt W		State: Production		Season: F24			
Merchandise Division: Outerwear	Merchandise Collection: Trail	Product Class: Soft Shell Tops					
Designer: nzan	Developer: wendall.nelson	LO Developer: kgokul		Sourcing Manager: melissa.gallagher			
Fit Engineer: wzeng							
Design:	F4WO208501	Sample LO:	Production LO: India				
Style	Material Style	Style Description	Pattern	Base Size	Size Scale	Fit	SMU Type
WK7978	2085011	Canyon Meadows™ II Softshell Jacket	L22L2036	M	XS - XXL	Active	N/A



Component	Details	Placement	Usage	Width	Marker Width	010-Black	609-Fig
<b>SAP Material Code</b>						<b>2085011010</b>	<b>2085011609</b>
						<b>2085012010</b>	<b>2085012609</b>
Hangtag Package Part	126995 Columbia Omni-Heat Infinity, Omni-Shield Hangtag		1 ea	0.0	0	Artwork	Artwork
Packaging 1	980001 Polybag See Standard CCS 4200 for specifications		1 ea	0.0	0	Stock	Stock
Packaging 2	980010 UPC Bag Sticker Generic (MHW/Columbia) See CCS4400/ 4401 and MHW4402 for Mt Hardware for instructions		1 ea	0.0	0	Artwork	Artwork
Packaging 3	064194 Outer Carton for costing purpose only		1 ea	0.0	0	Stock	Stock

This is confidential and proprietary information of Columbia Sportswear Company. You agree that you will not disclose this information to any third party or use it for any purpose other than on behalf of Columbia. You have no right to use Columbia's name or any of its trademarks, trade names, copyrights, patents, designs or other intellectual property except as set forth in writing by Columbia.

## Colorless BOM

Line Slot: Canyon Meadows II Softshell Jkt W      State: Production      Season: F24  
 Merchandise Division: Merchandise Collection: Product Class: Soft Shell  
 Outerwear      Trail      Tops  
 Designer: nzan      Developer: wendall.nelson      LO Developer: kgokul      Sourcing Manager: melissa.gallagher  
 Fit Engineer: wzeng

Design: F4WO20850      Sample LO:      Production      India  
 1      LO:

Style	Material Style	Style Description	Pattern	Base Size	Size Scale	Fit	SMU Type
WK7978	2085011	Canyon Meadows™ II Softshell Jacket	L22L2036	M	XS - XXL	Active	N/A



Component	Details	Placement	Usage	Width	Marker Width
<b>SAP Material Code</b>					
Shell 1	122449 PFC Free version of 116189 Better Level Technical softshell with texture- 4 way with OHI Composite 100% Polyester 100% Polyester 44 Durable Water Repellent (80/10HL) C0 PFOA/PFOS Free MaterialCoatingNone 3 Layer Waterproof Hydrophobic Microporous Polyurethane 274.0 g/m2 Piece Dye/Jet NA		0.383 yd	56.0	0
Shell 2	122460 PFC Free Version of 117236 Better Level Technical Softshell with Texture- Jersey Backer Composite 100% Polyester 100% Polyester 44 Durable Water Repellent (80/10HL) C0 PFOA/PFOS Free MaterialCoatingNone 3 Layer Waterproof Hydrophobic Microporous Polyurethane 260.0 g/m2 Piece Dye/Jet NA		1.23 yd	57.0	0
Lining 1	004476 FOR POCKETING AND YOUTH STYLES ONLY Chamois Touch Tricot Tricot 100% Polyester 28 Anti-pill (face), Brushed (Tech Face) 80.0 g/m2 Piece Dye/Jet NA		0.22 yd	60.0	0
Lining 2	032201 Abrasion Resist Brushed Tricot Tricot 100% Polyester 28 Durable Water Repellent (80/10HL) C0 PFOA/PFOS Free, Brushed (Tech Face) 215.0 g/m2 Piece Dye/Jet NA		0.06 yd	60.0	0
Interfacing 1	110671 Recycled Interlining Sew-In Non-Woven Lightweight Soft SAME AS VIRGIN VERSION 011958 Interlining 80% Recycled Polyester, 20% Viscose 30.0 g/m2		0.065 yd	39.0	0
Direct Embroidery 1	003374 64mm (B) Bug Columbia Logo Embroidery 1 clr Est st ct 1570. Width: 64.0 Height: 11.6		1 ea	0.0	0

## Colorless BOM



Line Slot: Canyon Meadows II Softshell Jkt W      State: Production      Season: F24  
 Merchandise Division: Outerwear      Merchandise Collection: Trail      Product Class: Soft Shell Tops  
 Designer: nzan      Developer: wendall.nelson      LO Developer: kgokul      Sourcing Manager: melissa.gallagher  
 Fit Engineer: wzeng  
 Design: F4WO20850      Sample LO: 1      Production LO: India  
 Style WK7978      Material Style 2085011      Style Description Canyon Meadows™ II Softshell Jacket      Pattern L22L2036      Base Size M      Size Scale XS - XXL      Fit Active      SMU Type N/A

Component	Details	Placement	Usage	Width	Marker Width
<b>SAP Material Code</b>					
Drawcord-Cording-Laces 1	070437 2.5mm 4 color non stretch d/c		0.2 yd	0.0	0
Drawcord-Cording-Laces 2	008166 1.5mm non stretch drawcord w/ticks 2 clr (ECO version use 082935)		0.68 yd	0.0	0
Label Logo 1	059197 USE ONLY FOR ALL ADULT sizes AND YOUTH S-XL 42mm x 8mm Lightweight Stripe woven ECO Hanger Loop DOWN 2 clr other colors w Director approval only		1 ea	0.0	0
Label Logo 2	061152 3mm Non stretch Interchange Drawcord for hanger loop 2 clr		1 ea	0.0	0
Thread 1	060282 Coats Epic Tex 30 thread	(9/6) Updated	40 meter	0.0	0
Thread 2	008214 Coats ASTRA Spun Polyester Tex 27 40/2		550 meter	0.0	0
Webbing and Tape 1	360183 3/4 in W Foldover (3/8 to show) Woven Stretch Binding 1 clr FOR CAN STYLES PRODUCED IN VN use 110808 Width: 0.75		0.56 yd	0.0	0
Webbing and Tape 2	360183 3/4 in W Foldover (3/8 to show) Woven Stretch Binding 1 clr FOR CAN STYLES PRODUCED IN VN use 110808 Width: 0.75		0.55 yd	0.0	0
Webbing and Tape 3	360228 3/8 in W Stretch flat Woven Binding 1 clr Width: 10.0	For Hood seam binding	1.36 yd	0.0	0
Webbing and Tape 4	360228 3/8 in W Stretch flat Woven Binding 1 clr Width: 10.0	For CF Zipper binding	1.91 yd	0.0	0
Webbing and Tape 5	360228 3/8 in W Stretch flat Woven Binding 1 clr Width: 10.0	For Neck seam binding	0.75 yd	0.0	0
Zipper 1	126911 CNT8OL-56 DA8BLH EF P-TOP WATER-J REVERSE OpenEnd Left-in LargeHole PI MatteEnml Sldr/PI PlasticTopStop PU Coated WtrRep Tape RevCoil (not available for neon colors) Recycled Length: 8.0		1 ea	0.0	0
Zipper 2	126816 CFC-36 DALH EF T-B-0 Clsd AutoLk LargeHole MatteEnml Sldr/PI NoStps metal content Length: 4.0		2 ea	0.0	0
Label 1	059200 40mm CSC International Size Extended Woven ECO Loop Label for use with Hanger Loop		1 ea	0.0	0
Label 2	006564 33mm Care Content ECO Booklet Fold label with fully translated country of origin WHT/BLK for most, BLK/WHT for Titanium only, GRY/BLK is for Garment DYE ONLY		1 ea	0.0	0

### Colorless BOM



Line Slot: Canyon Meadows II Softshell Jkt W      State: Production      Season: F24  
 Merchandise Division: Outerwear      Merchandise Collection: Trail      Product Class: Soft Shell Tops  
 Designer: nzan      Developer: wendall.nelson      LO Developer: kgokul      Sourcing Manager: melissa.gallagher  
 Fit Engineer: wzeng  
 Design: F4WO20850      Sample LO: 1      Production LO: India  
 Style Material Style Style Description Pattern Base Size Size Scale Fit SMU Type  
 WK7978      2085011      Canyon Meadows™ II Softshell Jacket      L22L2036      M      XS - XXL      Active      N/A

Component	Details	Placement	Usage	Width	Marker Width
<b>SAP Material Code</b>					
Hangtag Package Part	121612 MSRP/UPC with RFID Specs for MSRP. Please refer to VAS specs for any exceptions. MSRP required on all product shipping to the US.		1 ea	0.0	0
Hangtag Package Part	126966 Active Fit Swing Tag		1 ea	0.0	0
Hangtag Package Part	126995 Columbia Omni-Heat Infinity, Omni-Shield Hangtag		1 ea	0.0	0
Packaging 1	980001 Polybag See Standard CCS 4200 for specifications		1 ea	0.0	0
Packaging 2	980010 UPC Bag Sticker Generic (MHW/Columbia) See CCS4400/ 4401 and MHW4402 for Mt Hardwear for instructions		1 ea	0.0	0
Packaging 3	064194 Outer Carton for costing purpose only		1 ea	0.0	0

This is confidential and proprietary information of Columbia Sportswear Company. You agree that you will not disclose this information to any third party or use it for any purpose other than on behalf of Columbia. You have no right to use Columbia's name or any of its trademarks, trade names, copyrights, patents, designs or other intellectual property except as set forth in writing by Columbia.

## Color Specification

Line Slot: Canyon Meadows II Softshell Jkt W		State: Production		Season: F24			
Merchandise Division: Outerwear	Merchandise Collection: Trail	Product Class: Soft Shell Tops					
Designer: nzan	Developer: wendall.nelson	LO Developer: kgokul		Sourcing Manager: melissa.gallagher			
Fit Engineer: wzeng							
Design:	F4WO208501	Sample LO:		Production LO:	India		
Style	Material Style	Style Description	Pattern	Base Size	Size Scale	Fit	SMU Type
WK7978	2085011	Canyon Meadows™ II Softshell Jacket	L22L2036	M	XS - XXL	Active	N/A



Component - Material	010-Black	609-Fig
Shell 1 - 122449	Black	Fig
Shell 2 - 122460		
Lining 1 - 004476		
Lining 2 - 032201		
Webbing and Tape 1 - 360183		
Webbing and Tape 2 - 360183		
Webbing and Tape 3 - 360228		
Webbing and Tape 4 - 360228		
Webbing and Tape 5 - 360228		
Zipper 2 - 126816		
Interfacing 1 - 110671	White	White
Direct Embroidery 1 - 003374	Columbia Grey	Grill
Drawcord-Cording-Laces 1 - 070437	Black, Grill, Black, Grill	Grill, Columbia Grey, Grill, Columbia Grey
Drawcord-Cording-Laces 2 - 008166	Black, Grill	Grill, Columbia Grey
Label Logo 2 - 061152	Columbia Grey, Grill	Columbia Grey, Grill
Label Logo 1 - 059197		
Thread 1 - 060282	DTM	DTM
Thread 2 - 008214		
Zipper 1 - 126911	Black - YKK 580	Mauvelous-YKK 069
Label 1 - 059200	White, Columbia Grey, Compass Blue	White, Columbia Grey, Compass Blue
Label 2 - 006564	White, Black	White, Black
Hangtag Package Part - 121612	Artwork	Artwork
Hangtag Package Part - 126966		
Hangtag Package Part - 126995		
Packaging 2 - 980010		
Packaging 1 - 980001	Stock	Stock
Packaging 3 - 064194		

This is confidential and proprietary information of Columbia Sportswear Company. You agree that you will not disclose this information to any third party or use it for any purpose other than on behalf of Columbia. You have no right to use Columbia's name or any of its trademarks, trade names, copyrights, patents, designs or other intellectual property except as set forth in writing by Columbia.

### Costing BOM

Line Slot: Canyon Meadows II Softshell Jkt W      State: Production      Season: F24  
 Merchandise Division: Outerwear      Merchandise Collection: Trail      Product Class: Soft Shell Tops  
 Designer: nzan      Developer: wendall.nelson      LO Developer: kgokul      Sourcing Manager: melissa.gallagher  
 Fit Engineer: wzeng

Design: F4WO208501      Sample LO:      Production LO: India  
 Style Material Style      Style Description      Pattern      Base Size      Size Scale      Fit      SMU Type  
 WK7978      2085011      Canyon Meadows™ II Softshell Jacket      L22L2036      M      XS - XXL      Active      N/A



Colorway Number	Color Way	FOB Material	CIF Material	FOB Trim	CIF Trim	Allowance %	Total FOB	Total CIF
010	Black	9.617	0.000	2.888	0.000	0.0	12.505	0.000
609	Fig	9.617	0.000	2.888	0.000	0.0	12.505	0.000



### Costing BOM

Line Slot: Canyon Meadows II Softshell Jkt W

State: Production

Season: F24

Merchandise Division: Outerwear

Merchandise Collection: Trail

Product Class: Soft Shell Tops

Designer: nzan

Developer: wendall.nelson

LO Developer: kgokul

Sourcing Manager: melissa.gallagher

Fit Engineer: wzeng



Design: F4WO208501

Sample LO:

Production LO: India

Style Material Style

Style Description Pattern

Base Size Size Scale

Fit SMU Type

WK7978

2085011

Canyon Meadows™ II Softshell Jacket

M

XS - XXL

Active

N/A

Component	Material	Description	Fabric Width	Supplier	Locked	Country of Origin	Managin g Liaison Office	UoM	Target Cost	FOB Unit Cost	CIF Unit Cost	Usage	Wastage %	Total FOB	Total CIF
Shell 1	122449	PFC Free version of 116189 Better Level Technical softshell with texture- 4 way with OHI	56.0	Singtex Industrial CO., LTD	N	Taiwan	Taiwan-Taipei	yd	0.0	6.68	0.0	0.383	3	2.635	0.000
Shell 2	122460	PFC Free Version of 117236 Better Level Technical Softshell with Texture- Jersey Backer	57.0	Singtex Industrial CO., LTD	N	Taiwan	Taiwan-Taipei	yd	0.0	5.25	0.0	1.230	3	6.651	0.000
Lining 1	004476	FOR POCKETING AND YOUTH STYLES ONLY Chamois Touch Tricot	60.0	Haren Textiles Pvt. Ltd.	Y	India	India	yd	0.0	0.68	0.0	0.220	7	0.160	0.000

### Costing BOM

Line Slot: Canyon Meadows II Softshell Jkt W

State: Production

Season: F24

Merchandise Division: Outerwear

Merchandise Collection: Trail

Product Class: Soft Shell Tops

Designer: nzan

Developer: wendall.nelson

LO Developer: kkokul

Sourcing Manager: melissa.gallagher

Fit Engineer: wzeng



Design: F4WO208501

Sample LO:

Production LO: India

Style Material Style

Style Description Pattern

Base Size Size Scale

Fit SMU Type

WK7978

2085011

Canyon Meadows™ II Softshell Jacket

M

XS - XXL

Active

N/A

Component	Material	Description	Fabric Width	Supplier	Locked	Country of Origin	Managing Liaison Office	UoM	Target Cost	FOB Unit Cost	CIF Unit Cost	Usage	Wastage %	Total FOB	Total CIF
Lining 2	032201	Abrasion Resist Brushed Tricot	60.0	Huge-Bamboo Enterprise Co., Ltd.	N	Vietnam	Taiwan-Taipei	yd	2.5	2.38	0.0	0.060	7	0.153	0.000
Interfacing 1	110671	Recycled Interlining Sew-In Non-Woven Lightweight Soft SAME AS VIRGIN VERSION 011958	39.0	Freudenberg-Hong Kong	N	Taiwan	Taiwan-Taipei	yd	0.0	0.27	0.0	0.065	3	0.018	0.000
Direct Embroidery 1	003374	64mm (B) Bug Columbia Logo Embroidery 1 clr Est st ct 1570.	0.0	Contractor	N	unassigned	Hong Kong	ea	0.0	0.0	0.0	1.000	2.0	0.000	0.000
Drawcord-Cording-Laces 1	070437	2.5mm 4 color non stretch d/c	0.0	Paiho Global	N	Taiwan	Taiwan-Taipei	yd	0.0	0.06	0.0	0.200	7.0	0.013	0.000

### Costing BOM

Line Slot: Canyon Meadows II Softshell Jkt W

State: Production

Season: F24

Merchandise Division: Outerwear

Merchandise Collection: Trail

Product Class: Soft Shell Tops

Designer: nzan

Developer: wendall.nelson

LO Developer: kgokul

Sourcing Manager: melissa.gallagher

Fit Engineer: wzeng



Design: F4WO208501

Sample LO:

Production LO: India

Style Material Style

Style Description Pattern

Base Size Size Scale

Fit SMU Type

WK7978

2085011

Canyon Meadows™ II Softshell Jacket

M

XS - XXL

Active

N/A

Component	Material	Description	Fabric Width	Supplier	Locked	Country of Origin	Managing Liaison Office	UoM	Target Cost	FOB Unit Cost	CIF Unit Cost	Usage	Wastage %	Total FOB	Total CIF
Drawcord-Cording-Laces 2	008166	1.5mm non stretch drawcord w/ticks 2 clr (ECO version use 082935)	0.0	Paiho Global	N	Taiwan	Taiwan-Taipei	yd	0.0	0.049	0.0	0.680	7.0	0.036	0.000
Label Logo 1	059197	USE ONLY FOR ALL ADULTSIZES AND YOUTH S-XL 42mm x 8mm Lightweight Stripe woven ECO Hanger Loop DOWN 2 clr other colors w Director approval only	0.0	Avery Dennison Global	N	China	Portland	ea	0.0	0.02823	0.0	1.000	5.0	0.030	0.000
Label Logo 2	061152	3mm Non stretch Interchange Drawcord for hanger loop 2 clr	0.0	Cosmos Knitting International Co. Ltd.	N	Vietnam	Taiwan-Taipei	ea	0.0	0.04	0.0	1.000	5.0	0.042	0.000

### Costing BOM

Line Slot: Canyon Meadows II Softshell Jkt W

State: Production

Season: F24

Merchandise Division: Outerwear

Merchandise Collection: Trail

Product Class: Soft Shell Tops

Designer: nzan

Developer: wendall.nelson

LO Developer: kkokul

Sourcing Manager: melissa.gallagher

Fit Engineer: wzeng



Design: F4WO208501

Sample LO:

Production LO: India

Style Material Style

Style Description Pattern

Base Size Size Scale

Fit SMU Type

WK7978

2085011

Canyon Meadows™ II Softshell Jacket

M

XS - XXL

Active

N/A

Component	Material	Description	Fabric Width	Supplier	Locked	Country of Origin	Managing Liaison Office	UoM	Target Cost	FOB Unit Cost	CIF Unit Cost	Usage	Wastage %	Total FOB	Total CIF
Thread 1	060282	Coats Epic Tex 30 thread	0.0	Coats Global Thread	N	unassigned	Portland	meter	0.0	0.00048	0.0	40.000	5.0	0.020	0.000
Thread 2	008214	Coats ASTRA Spun Polyester Tex 27 40/2	0.0	Coats Global Thread	N	unassigned	Portland	meter	0.0	0.0003	0.0	550.000	5.0	0.173	0.000
Webbing and Tape 1	360183	3/4 in W Foldover (3/8 to show) Woven Stretch Binding 1 clr FOR CAN STYLES PRODUCED IN VN use 110808	0.0	Paiho Global	N	Taiwan	Taiwan-Taipei	yd	0.0	0.16	0.0	0.560	7.0	0.096	0.000
Webbing and Tape 2	360183	3/4 in W Foldover (3/8 to show) Woven Stretch Binding 1 clr FOR CAN STYLES PRODUCED IN VN use 110808	0.0	Paiho Global	N	Taiwan	Taiwan-Taipei	yd	0.0	0.16	0.0	0.550	7.0	0.094	0.000

### Costing BOM

Line Slot: Canyon Meadows II Softshell Jkt W		State: Production		Season: F24			
Merchandise Division: Outerwear	Merchandise Collection: Trail	Product Class: Soft Shell Tops					
Designer: nzan	Developer: wendall.nelson	LO Developer: kgokul		Sourcing Manager: melissa.gallagher			
Fit Engineer: wzeng							
Design: F4WO208501	Sample LO:	Production LO: India					
Style WK7978	Material Style 2085011	Style Description Canyon Meadows™ II Softshell Jacket	Pattern L22L2036	Base Size M	Size Scale XS - XXL	Fit Active	SMU Type N/A



Component	Material	Description	Fabric Width	Supplier	Locked	Country of Origin	Managin g Liaison Office	UoM	Target Cost	FOB Unit Cost	CIF Unit Cost	Usage	Wastage %	Total FOB	Total CIF
Webbing and Tape 3	360228	3/8 in W Stretch flat Woven Binding 1 clr	0.0	Paiho Global	N	Taiwan	Taiwan-Taipei	yd	0.0	0.111	0.0	1.360	7.0	0.162	0.000
Webbing and Tape 4	360228	3/8 in W Stretch flat Woven Binding 1 clr	0.0	Paiho Global	N	Taiwan	Taiwan-Taipei	yd	0.0	0.111	0.0	1.910	7.0	0.227	0.000
Webbing and Tape 5	360228	3/8 in W Stretch flat Woven Binding 1 clr	0.0	Paiho Global	N	Taiwan	Taiwan-Taipei	yd	0.0	0.111	0.0	0.750	7.0	0.089	0.000

### Costing BOM

Line Slot: Canyon Meadows II Softshell Jkt W

State: Production

Season: F24

Merchandise Division: Outerwear

Merchandise Collection: Trail

Product Class: Soft Shell Tops

Designer: nzan

Developer: wendall.nelson

LO Developer: kgokul

Sourcing Manager: melissa.gallagher

Fit Engineer: wzeng



Design: F4WO208501

Sample LO:

Production LO: India

Style Material Style

Style Description Pattern

Base Size Size Scale

Fit SMU Type

WK7978

2085011

Canyon Meadows™ II Softshell Jacket

M

XS - XXL

Active

N/A

Component	Material	Description	Fabric Width	Supplier	Locked	Country of Origin	Managing Liaison Office	UoM	Target Cost	FOB Unit Cost	CIF Unit Cost	Usage	Wastage %	Total FOB	Total CIF
Zipper 1	126911	CNT8OL-56 DA8BLH EF P- TOP WATER-J REVERSE OpenEnd Left-in LargeHole PI MatteEnml Slidr/PI PlasticTopStop PU Coated WtrRep Tape RevCoil (not available for neon colors) Recycled	0.0	YKK Global	Y	unassigned	Portland	ea	0.0	0.6118	0.0	1.000	0.0	1.474	0.000
Zipper 2	126816	CFC-36 DALH EF T-B-0 Clsd AutoLk LargeHole MatteEnml Slidr/PI NoStps metal content	0.0	YKK Global	Y	unassigned	Portland	ea	0.0	0.0987	0.0	2.000	0.0	0.236	0.000

### Costing BOM

Line Slot: Canyon Meadows II Softshell Jkt W      State: Production      Season: F24  
 Merchandise Division: Outerwear      Merchandise Collection: Trail      Product Class: Soft Shell Tops  
 Designer: nzan      Developer: wendall.nelson      LO Developer: kgokul      Sourcing Manager: melissa.gallagher  
 Fit Engineer: wzeng

Design: F4WO208501      Sample LO:      Production LO: India  
 Style Material Style Style Description Pattern Base Size Size Scale Fit SMU Type  
 WK7978 2085011 Canyon Meadows™ II L22L2036 M XS - XXL Active N/A  
 Softshell Jacket



Component	Material	Description	Fabric Width	Supplier	Locked	Country of Origin	Managing Liaison Office	UoM	Target Cost	FOB Unit Cost	CIF Unit Cost	Usage	Wastage %	Total FOB	Total CIF
Label 1	059200	40mm CSC International Size Extended Woven ECO Loop Label for use with Hanger Loop	0.0	Avery Dennison Global	N	China	Portland	ea	0.0	0.05956	0.0	1.000	3.0	0.061	0.000
Label 2	006564	33mm Care Content ECO Booklet Fold label with fully translated country of origin WHT/BLK for most, BLK/WHT for Titanium only, GRY/BLK is for Garment DYE ONLY	0.0	Avery Dennison Global	N	China	Portland	ea	0.0	0.01905	0.0	1.000	3.0	0.020	0.000

### Costing BOM

Line Slot: Canyon Meadows II Softshell Jkt W		State: Production		Season: F24			
Merchandise Division: Outerwear	Merchandise Collection: Trail	Product Class: Soft Shell Tops					
Designer: nzan	Developer: wendall.nelson	LO Developer: kgokul		Sourcing Manager: melissa.gallagher			
Fit Engineer: wzeng							
Design: F4WO208501	Sample LO:	Production LO: India					
Style WK7978	Material Style 2085011	Style Description Canyon Meadows™ II Softshell Jacket	Pattern L22L2036	Base Size M	Size Scale XS - XXL	Fit Active	SMU Type N/A



Component	Material	Description	Fabric Width	Supplier	Locked	Country of Origin	Managing Liaison Office	UoM	Target Cost	FOB Unit Cost	CIF Unit Cost	Usage	Wastage %	Total FOB	Total CIF
Hangtag Package Part	121612	MSRP/UPC with RFID Specs for MSRP. Please refer to VAS specs for any exceptions. MSRP required on all product shipping to the US.	0.0	Avery Dennison Global	N	unassigned	Portland	ea	0.0	0.04875	0.0	1.000	0.0	0.049	0.000
Hangtag Package Part	126966	Active Fit Swing Tag	0.0	Hang Sang Press Co. Ltd	N	unassigned	Portland	ea	0.0	0.023	0.0	1.000	0.0	0.023	0.000
Hangtag Package Part	126995	Columbia Omni-Heat Infinity, Omni-Shield Hangtag	0.0	Hang Sang Press Co. Ltd	N	unassigned	Portland	ea	0.0	0.0287	0.0	1.000	0.0	0.029	0.000



### Costing BOM

Line Slot: Canyon Meadows II Softshell Jkt W      State: Production      Season: F24  
 Merchandise Division: Outerwear      Merchandise Collection: Trail      Product Class: Soft Shell Tops  
 Designer: nzan      Developer: wendall.nelson      LO Developer: kkokul      Sourcing Manager: melissa.gallagher  
 Fit Engineer: wzeng

Design: F4WO208501      Sample LO:      Production LO: India  
 Style Material Style Style Description Pattern Base Size Size Scale Fit SMU Type  
 WK7978 2085011 Canyon Meadows™ II L22L2036 M XS - XXL Active N/A  
 Softshell Jacket



Component	Material	Description	Fabric Width	Supplier	Locked	Country of Origin	Managing Liaison Office	UoM	Target Cost	FOB Unit Cost	CIF Unit Cost	Usage	Wastage %	Total FOB	Total CIF
Packaging 1	980001	Polybag See Standard CCS 4200 for specifications	0.0	Contractor	N	unassigned	Hong Kong	ea	0.0	0.0	0.0	1.000	3.0	0.000	0.000
Packaging 2	980010	UPC Bag Sticker Generic (MHW/Columbia) See CCS4400/4401 and MHW4402 for Mt Hardware for instructions	0.0	Avery Dennison Global	Y	China	Portland	ea	0.0	0.01323	0.0	1.000	5.0	0.014	0.000
Packaging 3	064194	Outer Carton for costing purpose only	0.0	Contractor	N	unassigned	Hong Kong	ea	0.0	0.0	0.0	1.000	3.0	0.000	0.000

### Costing BOM

Line Slot: Canyon Meadows II Softshell Jkt W		State: Production		Season: F24			
Merchandise Division: Outerwear	Merchandise Collection: Trail	Product Class: Soft Shell Tops					
Designer: nzan	Developer: wendall.nelson	LO Developer: kgokul		Sourcing Manager: melissa.gallagher			
Fit Engineer: wzeng							
Design:	F4WO208501	Sample LO:		Production LO:	India		
Style	Material Style	Style Description	Pattern	Base Size	Size Scale	Fit	SMU Type
WK7978	2085011	Canyon Meadows™ II Softshell Jacket	L22L2036	M	XS - XXL	Active	N/A



This is confidential and proprietary information of Columbia Sportswear Company. You agree that you will not disclose this information to any third party or use it for any purpose other than on behalf of Columbia. You have no right to use Columbia's name or any of its trademarks, trade names, copyrights, patents, designs or other intellectual property except as set forth in writing by Columbia.

### Instructions



Line Slot: Canyon Meadows II Softshell Jkt W      State: Production      Season: F24

Merchandise Division: Outerwear      Merchandise Collection: Trail      Product Class: Soft Shell Tops

Designer: nzan      Developer: wendall.nelson      LO Developer: kgokul      Sourcing Manager: melissa.gallagher

Fit Engineer: wzeng

Design: F4WO20850      Sample LO: 1      Production LO: India

Style	Material Style	Style Description	Pattern	Base Size	Size Scale	Fit	SMU Type
WK7978	2085011	Canyon Meadows™ II Softshell Jacket	L22L2036	M	XS - XXL	Active	N/A

Category	Subcategory	Description	Comments
BARTACKS	BARTACK FUNCTIONAL	LENGTH - SIZED TO FIT	Visible Bartacks Follow Sketch Hidden Bartacks 2/1 Hanger Loops Ends 2/1 Back Neck IC Loop Ends 4/2 Cuff IC Loop Ends

This is confidential and proprietary information of Columbia Sportswear Company. You agree that you will not disclose this information to any third party or use it for any purpose other than on behalf of Columbia. You have no right to use Columbia's name or any of its trademarks, trade names, copyrights, patents, designs or other intellectual property except as set forth in writing by Columbia.

## Care Report

Line Slot: Canyon Meadows II Softshell Jkt W	State: Production	Season: F24
Merchandise Division: Outerwear	Merchandise Collection: Trail	Product Class: Soft Shell Tops
Designer: nzan	Developer: wendall.nelson	LO Developer: kgokul
Fit Engineer: wzeng		Sourcing Manager: melissa.gallagher
Design: F4WO208501	Sample LO:	Production LO: India
Style WK9778	Material Style 2085011	Style Description Canyon Meadows™ II Softshell Jacket
Pattern L22L2036	Base Size M	Size Scale XS - XXL
		Fit Active
		SMU Type N/A



Care Code: 1026		Color Way Number	Color Way Name
<b>English</b>	If present Close Hook and Loop Fastener, Machine Wash Cold Permanent Press, Powdered Detergent, Rinse Thoroughly, Do Not Bleach, Tumble Dry Permanent Press Low, Remove Promptly, Iron Low, Do Not Use Fabric Softener, If Present Do Not Iron Decal, Do Not Dryclean	010	Black
<b>French</b>	Le cas échéant, fermer la fermeture Velcro, Lavage machine à froid, Cycle sans repassage, Détergent en poudre, Rincer abondamment, Ne pas utiliser d'eau de javel, Séchage machine, sans repassage, basse température, Sortir immédiatement de la machine, Repasser à basse température, Ne pas utiliser d'assouplissant, Le cas échéant, ne pas repasser la décalcomanie, Nettoyage à sec interdit	609	Fig
<b>German</b>	Falls vorhanden, Klettverschluss schließen, Pflegeleichter Waschgang mit kaltem Wasser, Waschpulver, Gründlich ausspülen, Keine Bleichmittel verwenden, Trocknen im Wäschetrockner pflegeleicht bei niedriger Temperatur, Sofort aus dem Trockner nehmen, Bügeln mit niedriger Temperatur, Keine Weichspüler verwenden, Falls vorhanden, Dekorbild nicht bügeln, Nicht chemisch reinigen		
<b>Portuguese</b>	Se presente, fechar o gancho e prendedor do cordão, Lavar à máquina com água fria, ciclo para fibras sintéticas, Detergente em pó, Enxaguar bem, Não alvejar, Secar à máquina em ciclo para fibras sintéticas e temperatura baixa, Remover prontamente, Passar a ferro em baixa temperatura, Não usar amaciante, Se presente, não passar o ferro sobre o decalque, Não utilizar limpeza a seco		
<b>Spanish</b>	En su caso, cierre el velcro, Lavar a máquina con agua fría, en ciclo de planchado permanente, Detergente en polvo, Enjuagar bien, No usar lejía, Usar secadora, a temperatura baja, en ciclo de planchado permanente, Retirar inmediatamente, Planchar a temperatura baja, No usar suavizante de telas, En su caso, no planche la pegatina, No lavar en seco		
<b>Italian</b>	Se presente, chiudere la chiusura a strappo, Lavare in lavatrice in acqua fredda, ciclo sintetici, Detergente in polvere, Sciacquare abbondantemente, Non candeggiare, Asciugare a tamburo con ciclo sintetici a bassa temperatura, Rimuovere tempestivamente, Stirare con ferro a temperatura bassa, Non utilizzare ammorbidente, Se presente, non stirare la decalcomania, Non lavare a secco		
<b>Russian</b>	Если есть, застегнуть крючки, Машинная стирка в холодной воде тканей с несминаемой пропиткой, Стиральный порошок, Полоскать тщательно, Не отбеливать, Сушка несминаемых тканей при низкой температуре, Сразу убрать из сушилки, Гладить при низкой температуре, Не использовать кондиционер для тканей, Если есть, не гладить наклейки и роспись на текстиле, Химчистка запрещена		
<b>Czech Republican</b>	Zapnout háčky a zipy, jsou-li přítomny, Praní v pračce při nízké teplotě a stálém tlaku, Práškový čistící prostředek, Důkladně vymáchat, Nebělit, Sušení v sušičce, stálý tlak, nízká teplota, Ihned odepnout, Žehlení při nízké teplotě, Nepoužívat aviváž, Nežehlit obtisky, jsou-li přítomny, Nečistit chemicky		
<b>Hebrew</b>	אם ישנו, לסגור את הצמדן, כביסה במכונה במים קרים עבור בד לא מתקמט, דטרנט באבקה, לשיטוף ביסודיות, לא להלבין, לייבש במייבש כביסה, בתוכנית יבש עבור בדים לא מתקמטים, בחום נמוך, להסיר מיד, לגהץ בחום נמוך, לא להשתמש במרכז כביסה, אם ישנה, לא לגהץ את מדבקת הדקאל, לא לנקות בניקוי		
<b>Hungarian</b>	Ha van az anyagon tépőzár, zárja be, Géppel mossa, hideg vízzel, gyűrődésmentes programmal, Mosópor, Alaposan öblítse ki, Ne hasznájon fehérítőt, Szárítógéppen gyűrődésmentes programmal, alacsony hőfokon szárítsa, Mosás után azonnal vegye ki a gépből, Alacsony hőfokon vasalja, Ne használgjon öblítőszer, Ha van az anyagon matrica, azt ne vasalja, Ne vegytisztítsa		
<b>Polish</b>	Zapiąć rzepy, jeśli są obecne., Prac w temperaturze nie przekraczającej 30 °C, stosować prasę odzieżową, Detergent w proszku, Spłukać dokładnie, Nie chlorować, Można suszyć bębnowo, stosować prasę odzieżową, niska temperatura, Natychmiast usunąć, Prasować w temperaturze do 100 °C, Nie używać zmiękczacza do tkanin, Nie prasować ozdób, jeśli są obecne, Nie czyścić chemicznie		
<b>Portuguese Brazil</b>	Se presente, fechar o gancho e prendedor do cordão, Lavar à máquina com água fria, ciclo para fibras sintéticas, Detergente em pó, Enxaguar bem, Não alvejar, Secar em tambor rotativo em ciclo para fibras sintéticas e temperatura baixa, Remover prontamente, Passar a ferro em baixa temperatura, Não usar amaciante, Se presente, não passar o ferro sobre o decalque, Não utilizar limpeza a seco		
<b>Slovakian</b>	Ak je vybavené háčkom a slučkovou sponou, zatvorte ich, Perte v pračce v studenej vode, Práškový prací prostriedok, Dôkladne opláchnite, Neodfarbujte, Sušte v bubnovej sušičke pri nízkych otáčkach, trvalé žehlenie, Okamžite odstráňte, Žehlite žehličkou s nízkou teplotou, Nepoužívajte avivážne prípravky, Ak má štítok, nežehlite ho, Nečistite chemicky		
<b>Slovenian</b>	Če obstaja zaprite ježke, Mrzlo strojno pranje z trajnim tiskom, Detergent v prahu, Temeljito sperite, Ne belite, Nizko strojno sušenje z trajnim tiskom, Odstraniti takoj, Nizko likanje, Ne uporabljati mehčalca, Če obstaja, ne likati nalepk, Ne suho čistiti		

## Care Report

Line Slot: Canyon Meadows II Softshell Jkt W		State: Production		Season: F24			
Merchandise Division: Outerwear		Merchandise Collection: Trail		Product Class: Soft Shell Tops			
Designer: nzan		Developer: wendall.nelson		LO Developer: kgokul			
Fit Engineer: wzeng				Sourcing Manager: melissa.gallagher			
Design:	F4WO208501	Sample LO:		Production LO:	India		
Style	Material Style	Style Description	Pattern	Base Size	Size Scale	Fit	SMU Type
WK7978	2085011	Canyon Meadows™ II Softshell Jacket	L22L2036	M	XS - XXL	Active	N/A



<b>Spanish Latin American</b>	En su caso, cierre el velcro, Lavar a máquina con agua fría, en ciclo de planchado permanente, Detergente en polvo, Enjuagar bien, No usar blanqueador, Usar secadora, a temperatura baja, en ciclo de planchado permanente, Retirar inmediatamente, Planchar a temperatura baja, No usar suavizante de telas, En su caso, no planche el diseño impreso, No lavar en seco
<b>Turkish</b>	Varsa Kapüşonu ve Bağcığını Kapatın, Makinada Yıkandır, Soğuk, Ütü İstemez, Toz Deterjan, İyice Durulayın, Ağartıcı Kullanmayın, Tambur Kurutma, Ütü İstemez, Düşük, Hemen Çıkarın, Düşük Isıda Ütüleyin, Çamaşır Yumuşatıcısı Kullanmayın, Varsa Çıkartmayı Ütülemeyin, Kuru Temizleme Yapmayın
<b>Chinese Simplified</b>	如有, 请闭合搭扣带, 冷水机洗免烫, 粉状清洁剂, 彻底漂洗, 请勿漂白, 低温免烫滚筒烘干, 及时拆除, 低温熨烫, 请勿使用织物柔软剂, 如有, 请勿熨烫贴花, 请勿干洗
<b>Chinese Traditional</b>	如有, 請閉合搭扣帶, 冷水機洗免燙, 粉狀清潔劑, 徹底漂洗, 請勿漂白, 低溫免燙滾筒烘乾, 及時拆除, 低溫熨燙, 請勿使用織物柔軟劑, 如有, 請勿熨燙貼花, 請勿乾洗
<b>Japanese</b>	フックやファスナーを閉じます(ある場合), 洗濯機水洗い(パーマントプレスコース), 粉末洗剤, よく洗い流してください, 漂白剤使用不可, 乾燥機使用可(パーマントプレスコース、低温), すぐに外してください, アイロン可(低温), 柔軟剤の使用不可, 転写シールへのアイロン使用不可(ある場合), ドライクリーニング不可
<b>Korean</b>	가, 가, 가, 가, 가, 가
<b>Danish</b>	Luk eventuelle lynlås og knapper, Kold maskinvask, strygefri, Vaskepulver, Skyl grundigt, Må ikke afbleges, Tør i tørretumbler, strygefri, lav, Fjern med det samme, Stryges ved lav temperatur, Brug ikke skyllemiddel, Tryk må ikke stryges, Må ikke renses kemisk
<b>Norwegian</b>	Hvis glidelås må den lukkes, Maskinvask kald, permanent press, Vaskepulver, Rens nøye, Må ikke blekes, Tørketrommel, permanent press lavt, Fjernes umiddelbart, Strykes lav temp., Ikke bruk tøymykner, Ikke bruk strykejern på klistremerke, Skal ikke renses
<b>Swedish</b>	Stäng krok- och ögelfäste om befintligt, Maskintvättas kallt strykfritt, Pulvertvättmedel, Sköljs noga, Får inte blekas, Torktumlas strykfritt låg nivå, Ta bort omgående, Stryks på lägsta nivå, Sköljmedel får inte användas, Dekal får inte strykas om befintligt, Kemtvättas inte
<b>Dutch</b>	Indien aanwezig haak- en lussluiting sluiten, Koud wassen in wasmachine, kreukvrij, Poederwasmiddel, Grondig spoelen, Niet bleken, In droger op kreukvrij - laag, Meteen verwijderen, Op laag strijken, Geen wasverzachter gebruiken, Indien aanwezig sticker niet strijken, Niet laten stomen
<b>French Canadian</b>	Le cas échéant, fermer les fermetures autoagrippant, Laver à la machine à l'eau froide, réglage pressage permanent, Détergent en poudre, Rincer soigneusement, Ne pas utiliser d'agent de blanchiment, Séchage par culbutage à basse température, réglage pressage permanent, Retirer aussitôt sec, Repasser à basse température, Ne pas utiliser d'assouplisseur, Ne pas repasser de décalcomanie, Ne pas nettoyer à sec



## Content Report

Line Slot: Canyon Meadows II Softshell Jkt W		State: Production		Season: F24			
Merchandise Division: Outerwear	Merchandise Collection: Trail	Product Class: Soft Shell Tops					
Designer: nzan	Developer: wendall.nelson	LO Developer: kgokul		Sourcing Manager: melissa.gallagher			
Fit Engineer: wzeng							
Design:	F4WO208501	Sample LO:	Production LO:	India			
Style	Material Style	Style Description	Pattern	Base Size	Size Scale	Fit	SMU Type
WK7978	2085011	Canyon Meadows™ II Softshell Jacket	L22L2036	M	XS - XXL	Active	N/A



CONTENT CODE: BVO		Color Way Number	Color Way Name
Shell: 100% Polyester		609	Fig
Lining: 100% Polyester Exclusive of Trimming			
FRENCH	Extérieur: 100% Polyester Doublure: 100% Polyester Sauf les bordures	010	Black
GERMAN	Außenhülle: 100% Polyester Futter: 100% Polyester Ohne Besatz		
PORTUGUESE	Exterior: 100% Poliéster Revestimento: 100% Poliéster Sem orlas		
SPANISH	Cubierta: 100% Poliéster Revestimiento: 100% Poliéster Exclusivo de los ribetes		
ITALIAN	Guscio esterno: 100% Poliestere Fodera: 100% Poliestere Ad eccezione dei bordini		
RUSSIAN	Оболочка: 100% Полиэфир Подклад: 100% Полиэфир Без дополнительных деталей		
CZECH REPUBLICAN	Skořepina: 100% Polyester Podšívka: 100% Polyester Bez nášivek		
HEBREW	מעטפת חיצונית: 100% פוליאסטר בטנה: 100% פוליאסטר ללא קישוט		
HUNGARIAN	Külső: 100% Poliészter Bélés: 100% Poliészter Szegélydíszen kívül		
POLISH	Powłoka: 100% Poliester Podszewka: 100% Poliester Wylęczając naszywki		
PORTUGUESE BRAZIL	Exterior: 100% Poliéster Forro: 100% Poliéster Sem adornos		
SLOVAKIAN	Plášť: 100% Polyester Podšívka: 100% Polyester Okrem lemovania		
SLOVENIAN	Lupina: 100% Poliester Podloga: 100% Poliester Brez obrezovanja		
SPANISH LATIN AMERICAN	Cubierta: 100% Poliéster Revestimiento: 100% Poliéster Exclusivo de los ribetes		
TURKISH	Kabuk: 100% Polyester Astar: 100% Polyester Süsler Hariç		

## Content Report

Line Slot: Canyon Meadows II Softshell Jkt W		State: Production		Season: F24			
Merchandise Division: Outerwear	Merchandise Collection: Trail	Product Class: Soft Shell Tops					
Designer: nzan	Developer: wendall.nelson	LO Developer: kgokul		Sourcing Manager: melissa.gallagher			
Fit Engineer: wzeng							
Design:	F4WO208501	Sample LO:	Production LO: India				
Style	Material Style	Style Description	Pattern	Base Size	Size Scale	Fit	SMU Type
WK7978	2085011	Canyon Meadows™ II Softshell Jacket	L22L2036	M	XS - XXL	Active	N/A



<b>CHINESE SIMPLIFIED</b>	<b>外壳:</b> <b>衬里:</b>	<b>100% 聚酯</b> <b>100% 聚酯 不包括装饰品</b>
<b>CHINESE TRADITIONAL</b>	<b>外殼:</b> <b>襯裡:</b>	<b>100% 聚酯</b> <b>100% 聚酯 不包括裝飾品</b>
<b>JAPANESE</b>	<b>シエル:</b> <b>裏地:</b>	<b>100% ポリエステル</b> <b>100% ポリエステル 装飾品を除く</b>
<b>KOREAN</b>	<b>:</b> <b>:</b>	<b>100%</b> <b>100%</b>
<b>DANISH</b>	<b>Skal:</b> <b>Foring:</b>	<b>100% Polyester</b> <b>100% Polyester Inkluderer ikke kant</b>
<b>NORWEGIAN</b>	<b>Skall:</b> <b>Foring:</b>	<b>100% Polyester</b> <b>100% Polyester Eksklusiv trimming</b>
<b>SWEDISH</b>	<b>Ytterdel:</b> <b>Foder:</b>	<b>100% Polyester</b> <b>100% Polyester Utan trimming</b>
<b>DUTCH</b>	<b>Schelp:</b> <b>Bekleding:</b>	<b>100% Polyester</b> <b>100% Polyester Exclusief trimmen</b>
<b>FRENCH CANADIAN</b>	<b>Extérieur:</b> <b>Doublure:</b>	<b>100% Polyester</b> <b>100% Polyester Exclut les bordures</b>

### Pattern Piece Detail

Line Slot: Canyon Meadows II Softshell Jkt W		State: Production	Season: F24
Merchandise Division: Outerwear	Merchandise Collection: Trail	Product Class: Soft Shell Tops	
Designer: nzan	Developer: wendall.nelson	LO Developer: kgokul	Sourcing Manager: melissa.gallagher
Fit Engineer: wzeng			



Design:	F4WO20850 1	Sample LO:		Production LO:	India		
Style	Material Style	Style Description	Pattern	Base Size	Size Scale	Fit	SMU Type
WK7978	2085011	Canyon Meadows™ II Softshell Jacket	L22L2036	M	XS - XXL	Active	N/A

#### L22L2036 -

Component	Quantity	Long Description	Abbreviation	Code
-----------	----------	------------------	--------------	------

This is confidential and proprietary information of Columbia Sportswear Company. You agree that you will not disclose this information to any third party or use it for any purpose other than on behalf of Columbia. You have no right to use Columbia's name or any of its trademarks, trade names, copyrights, patents, designs or other intellectual property except as set forth in writing by Columbia.



### Measurements

Line Slot: Canyon Meadows II Softshell Jkt W		State: Production		Season: F24			
Merchandise Division: Outerwear	Merchandise Collection: Trail	Product Class: Soft Shell Tops					
Designer: nzan	Developer: wendall.nelson	LO Developer: kgokul		Sourcing Manager: melissa.gallagher			
Fit Engineer: wzeng							
Design: F4WO208501	Sample LO:	Production LO: India					
Style WK7978	Material Style 2085011	Style Description Canyon Meadows™ II Softshell Jacket	Pattern L22L2036	Base Size M	Size Scale XS - XXL	Fit Active	SMU Type N/A



Sort Order	Use	Type	Placemen t	(+/-)	XS	S	M	L	XL	XXL	
Grade Rule: CSC Womens Outerwear Tops - XXS-XXL (M) - Block: null											
1101.0	CHEST WIDTH - circumference - 1 inch down from armhole seam	QC	Graded		1.0	35.5	37.5	<b>39.5</b>	42.75	46.0	49.25
1301.0	WAIST WIDTH POSITION - from CB neck seam		Graded		0.0	15.0	15.25	<b>15.5</b>	15.75	16.0	16.25
1400.0	WAIST WIDTH - circumference	QC	Graded		1.0	33.0	34.75	<b>36.5</b>	39.75	43.0	46.25
1610.0	SWEEP WIDTH - circumference	QC	Graded		1.0	38.5	40.5	<b>42.5</b>	45.75	49.0	52.25
1900.0	CENTER BACK HEM DROP - difference from CF to CB		Graded		0.125	1.0	1.0	<b>1.0</b>	1.0	1.0	1.0
1911.0	BACK HEM DROP - difference from side seam hem to lowest edge of back hem		Varies By Style		0.0	3.5	3.5	<b>3.5</b>	3.5	3.5	3.5
2003.0	BACK BODY LENGTH - CB neck to edge of hem - group grade	QC	Graded		0.5	26.0	27.0	<b>27.0</b>	28.0	28.0	29.0
2602.0	SLEEVE LENGTH - Long Sleeve - CB neck to hem edge	QC	Graded		0.625	32.0	32.5	<b>33.0</b>	33.875	34.75	35.625
2722.0	SLEEVE WIDTH - circumference - 1 inch down from armhole seam	QC	Graded		0.5	14.0	14.5	<b>15.0</b>	15.875	16.75	17.625
2822.0	ELBOW WIDTH - circumference - at mid point of under sleeve seam	QC	Graded		0.375	10.75	11.125	<b>11.5</b>	12.125	12.75	13.375
3002.0	SLEEVE OPENING - long sleeve (Relaxed) - circumference	QC	Graded		0.25	7.5	7.75	<b>8.0</b>	8.375	8.75	9.125
3004.0	SLEEVE OPENING - long sleeve (Extended) - circumference	QC	Graded		0.25	9.5	9.75	<b>10.0</b>	10.375	10.75	11.125
3450.0	NECK CIRCUMFERENCE - at seam	QC	Varies By Style		0.25	21.5	21.5	<b>21.5</b>	22.0	23.0	24.0

## Measurements

Line Slot: Canyon Meadows II Softshell Jkt W

State: Production

Season: F24

Merchandise Division: Outerwear

Merchandise Collection: Trail

Product Class: Soft Shell Tops

Designer: nzan

Developer: wendall.nelson

LO Developer: kgokul

Sourcing Manager: melissa.gallagher

Fit Engineer: wzeng



Design: F4WO208501

Sample LO:

Production LO: India

Style Material Style

Style Description Pattern

Base Size Size Scale

Fit SMU Type

WK7978

2085011

Canyon Meadows™ II Softshell Jacket

M

XS - XXL

Active

N/A

Sort Order		Use	Type	Placemen t	(+/-)	XS	S	<b>M</b>	L	XL	XXL
3500.0	NECK WIDTH - seam to seam	QC	Varies By Style		0.125	7.25	7.25	<b>7.25</b>	7.625	8.0	8.375
3552.0	BACK NECK DROP - from HPS to seam		Varies By Style		0.125	1.125	1.125	<b>1.125</b>	1.25	1.375	1.5
3582.0	FRONT NECK DROP - from HPS to seam		Varies By Style		0.125	4.5	4.5	<b>4.5</b>	4.625	4.75	4.875
3800.0	HOOD HEIGHT - from HPS to top of hood	QC	Varies By Style		0.25	13.25	13.25	<b>13.25</b>	13.5	13.75	14.0
3850.0	TOTAL HOOD LENGTH - from CB neck seam to top front edge of opening		Varies By Style		0.5	17.75	17.75	<b>17.75</b>	18.0	18.375	18.625
3920.0	HOOD WIDTH - on half	QC	Varies By Style		0.25	9.5	9.5	<b>9.5</b>	9.75	10.0	10.25
3941.0	HOOD OPENING (Relaxed) - circumference		Varies By Style		0.5	19.0	19.0	<b>19.0</b>	19.75	20.5	21.25
3942.0	HOOD OPENING (Extended) - circumference		Varies By Style		0.5	22.5	22.5	<b>22.5</b>	23.25	24.0	24.75
3970.0	HOOD TIP HEIGHT - at CF		Graded		0.125	6.5	6.5	<b>6.5</b>	6.5	6.5	6.5
6830.0	FINISHED ZIPPER LENGTH - lower front pocket opening		Varies By Style		0.125	6.5	7.0	<b>7.0</b>	7.5	7.5	8.0
930.0	Drawcord-Cording-Laces 1		Component		0.0	3.0	3.0	<b>3.0</b>	3.0	3.0	3.0
960.0	Drawcord-Cording-Laces 2		Component		0.0	7.5	7.5	<b>7.5</b>	7.5	7.5	7.5
3190.0	Webbing and Tape 1		Component		0.0	14.5	14.5	<b>14.5</b>	15.25	16.0	16.75

### Measurements

Line Slot: Canyon Meadows II Softshell Jkt W		State: Production		Season: F24	
Merchandise Division: Outerwear	Merchandise Collection: Trail	Product Class: Soft Shell Tops			
Designer: nzan	Developer: wendall.nelson	LO Developer: kgokul		Sourcing Manager: melissa.gallagher	
Fit Engineer: wzeng					
Design:	F4WO208501	Sample LO:	Production LO: India		
Style	Material Style	Style Description	Pattern	Base Size	Size Scale
WK7978	2085011	Canyon Meadows™ II Softshell Jacket	L22L2036	M	XS - XXL
				Fit	SMU Type
				Active	N/A



Sort Order		Use	Type	Placemen t	(+/-)	XS	S	M	L	XL	XXL
3210.0	Webbing and Tape 2		Compo nent		0.0	8.25	8.75	<b>9.0</b>	9.375	9.625	10.0
3230.0	Webbing and Tape 3		Compo nent	For Hood seam binding	0.0	20.0	20.0	<b>20.0</b>	20.25	20.625	21.0
3250.0	Webbing and Tape 4		Compo nent	For CF Zipper binding	0.0	24.0	25.0	<b>25.0</b>	26.0	26.0	27.0
3270.0	Webbing and Tape 5		Compo nent	For Neck seam binding	0.0	22.5	22.5	<b>22.5</b>	23.5	24.5	25.5
3670.0	Zipper 1		Compo nent		0.0	28.5	29.5	<b>29.5</b>	30.5	30.5	31.5
3690.0	Zipper 2		Compo nent		0.0	7.5	8.0	<b>8.0</b>	8.5	8.5	9.0

This is confidential and proprietary information of Columbia Sportswear Company. You agree that you will not disclose this information to any third party or use it for any purpose other than on behalf of Columbia. You have no right to use Columbia's name or any of its trademarks, trade names, copyrights, patents, designs or other intellectual property except as set forth in writing by Columbia.

### Sales Sample Comments - WK7978

Line Slot: Canyon Meadows II Softshell Jkt W      State: Production      Season: F24  
 Designer: nzan      Developer: wendall.nelson      LO Developer: kgokul      Sourcing Manager: melissa.gallagher

Style	Material Style	Style Description	Design	Pattern	Base Size	Size Scale	Sample LO	Production LO
WK7978	2085011	Canyon Meadows™ II Softshell Jacket	F4WO208501	L22L2036	M	XS - XXL		India



Report #: 0000061314      Office: India      Factory Code: SEP      Factory Name: SHAHI EXPORTS PVT. LTD.  
 Sample Sizes: M      Estimated First Buy Date:      Factory Country of Origin: India  
 Comments: CC 609

#### MEASUREMENT CHART - SIZE M

Point of Measure	Use	Type	(+/-)	Requested	LO Actual	Difference	QA Actual	Difference
CHEST WIDTH - circumference - 1 inch down from armhole seam	QC	Graded	1.0	39.5				
WAIST WIDTH - circumference	QC	Graded	1.0	36.5				
SWEEP WIDTH - circumference	QC	Graded	1.0	42.5				
BACK BODY LENGTH - CB neck to edge of hem - group grade	QC	Graded	0.5	27.0				
SLEEVE LENGTH - Long Sleeve - CB neck to hem edge	QC	Graded	0.625	33.0				
SLEEVE WIDTH - circumference - 1 inch down from armhole seam	QC	Graded	0.5	15.0				
ELBOW WIDTH - circumference - at mid point of under sleeve seam	QC	Graded	0.375	11.5				
SLEEVE OPENING - long sleeve (Relaxed) - circumference	QC	Graded	0.25	8.0				
SLEEVE OPENING - long sleeve (Extended) - circumference	QC	Graded	0.25	10.0				
NECK CIRCUMFERENCE - at seam	QC	Varies By Style	0.25	21.5				
NECK WIDTH - seam to seam	QC	Varies By Style	0.125	7.25				
HOOD HEIGHT - from HPS to top of hood	QC	Varies By Style	0.25	13.25				
HOOD WIDTH - on half	QC	Varies By Style	0.25	9.5				

#### Liaison Office Comments ravi 9/22/2023 5:16:16 AM

Fabric

No Comments.

Trims

No Comments.

### Sales Sample Comments - WK7978

Line Slot: Canyon Meadows II Softshell Jkt W

State: Production

Season: F24

Designer: nzan

Developer: wendall.nelson

LO Developer: kgokul

Sourcing Manager: melissa.gallagher

Style	Material Style	Style Description	Design	Pattern	Base Size	Size Scale	Sample LO	Production LO
WK7978	2085011	Canyon Meadows™ II Softshell Jacket	F4WO208501	L22L2036	M	XS - XXL		India



Report #: 0000061314

Office: India

Factory Code: SEP

Factory Name: SHAHI EXPORTS PVT. LTD.

Sample Sizes: M

Estimated First Buy Date:

Factory Country of Origin: India

Comments: CC 609

#### Embellishment

N/A

#### Garment dye/Wash

Light Rinse Wash

#### Measurement

With in tolerance.

#### Construction

No Comments.

#### Product Developer Comments

### Sales Sample Comments - WK7978

Line Slot: Canyon Meadows II Softshell Jkt W      State: Production      Season: F24  
 Designer: nzan      Developer: wendall.nelson      LO Developer: kgokul      Sourcing Manager: melissa.gallagher

Style	Material Style	Style Description	Design	Pattern	Base Size	Size Scale	Sample LO	Production LO
WK7978	2085011	Canyon Meadows™ II Softshell Jacket	F4WO208501	L22L2036	M	XS - XXL		India



Report #: 0000061314      Office: India      Factory Code: SEP      Factory Name: SHAHI EXPORTS PVT. LTD.  
 Sample Sizes: M      Estimated First Buy Date:      Factory Country of Origin: India  
 Comments: CC 609

This is confidential and proprietary information of Columbia Sportswear Company. You agree that you will not disclose this information to any third party or use it for any purpose other than on behalf of Columbia. You have no right to use Columbia's name or any of its trademarks, trade names, copyrights, patents, designs or other intellectual property except as set forth in writing by Columbia.

## Technical

Line Slot: Canyon Meadows II Softshell Jkt W		State: Production	Season: F24
Merchandise Division: Outerwear	Merchandise Collection: Trail	Product Class: Soft Shell Tops	
Designer: nzan	Developer: wendall.nelson	LO Developer: kgokul	Sourcing Manager: melissa.gallagher
Fit Engineer: wzeng			

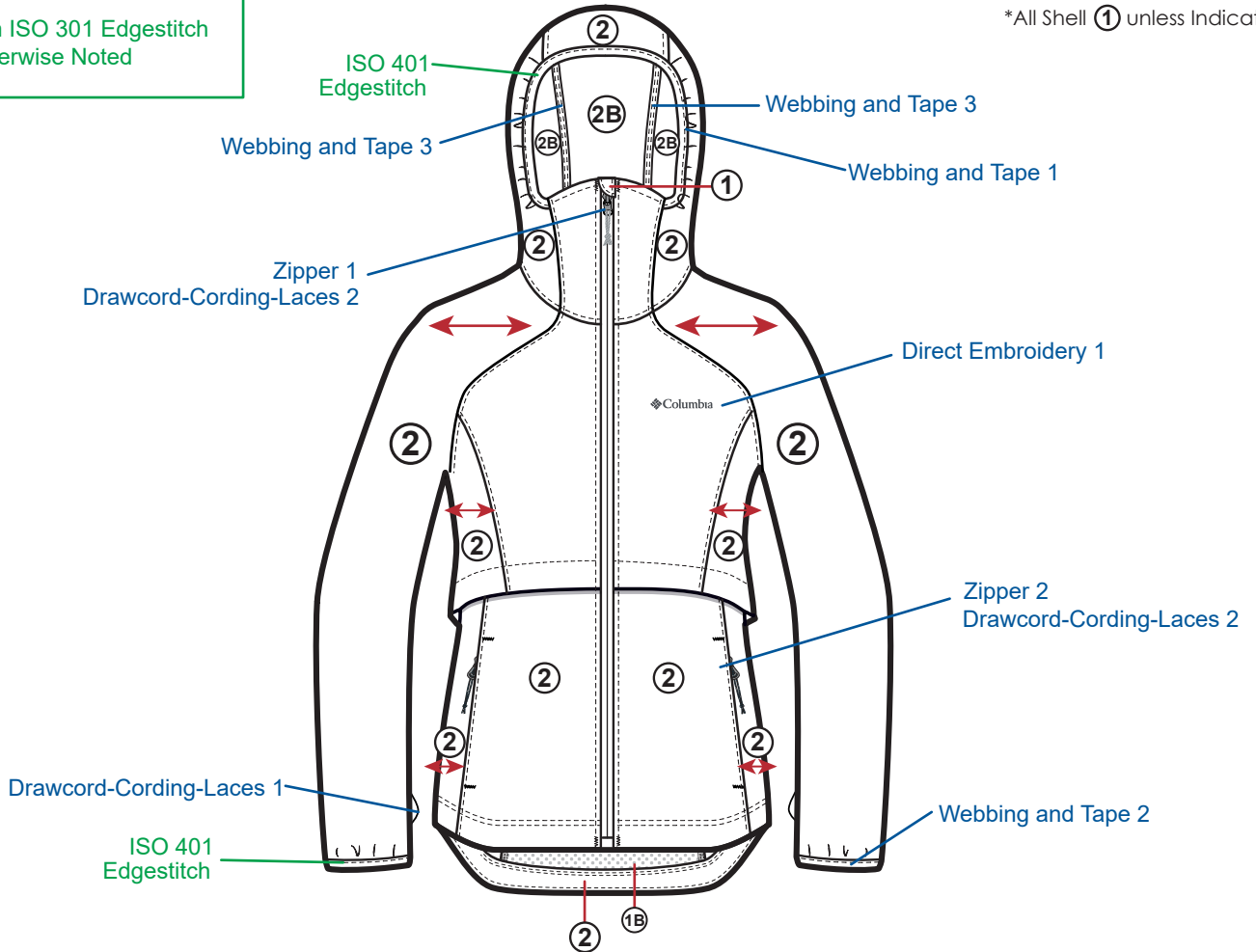


Design:	F4WO20850	Sample LO:	1	Production LO:	India		
Style	Material Style	Style Description	Pattern	Base Size	Size Scale	Fit	SMU Type
WK7978	2085011	Canyon Meadows™ II Softshell Jacket	L22L2036	M	XS - XXL	Active	N/A

Last Updated: 01.01.21 XX

\*All Shell ① unless Indicated

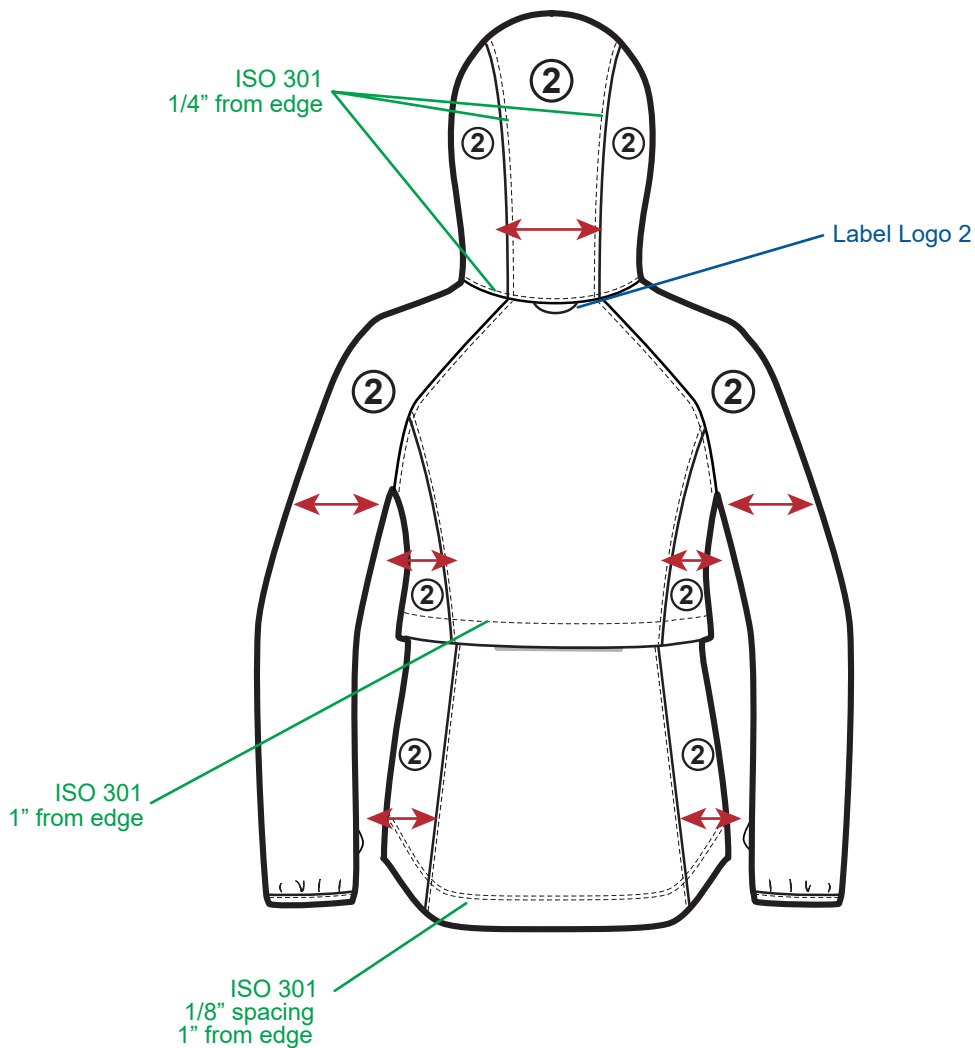
All Topstitch ISO 301 Edgestitch Unless Otherwise Noted



## Technical

Line Slot: Canyon Meadows II Softshell Jkt W      State: Production      Season: F24  
 Merchandise Division: Outerwear      Merchandise Collection: Trail      Product Class: Soft Shell Tops  
 Designer: nzan      Developer: wendall.nelson      LO Developer: kgokul      Sourcing Manager: melissa.gallagher  
 Fit Engineer: wzeng

Design:	F4WO20850 1	Sample LO:		Production LO:	India		
Style	Material Style	Style Description	Pattern	Base Size	Size Scale	Fit	SMU Type
WK7978	2085011	Canyon Meadows™ II Softshell Jacket	L22L2036	M	XS - XXL	Active	N/A





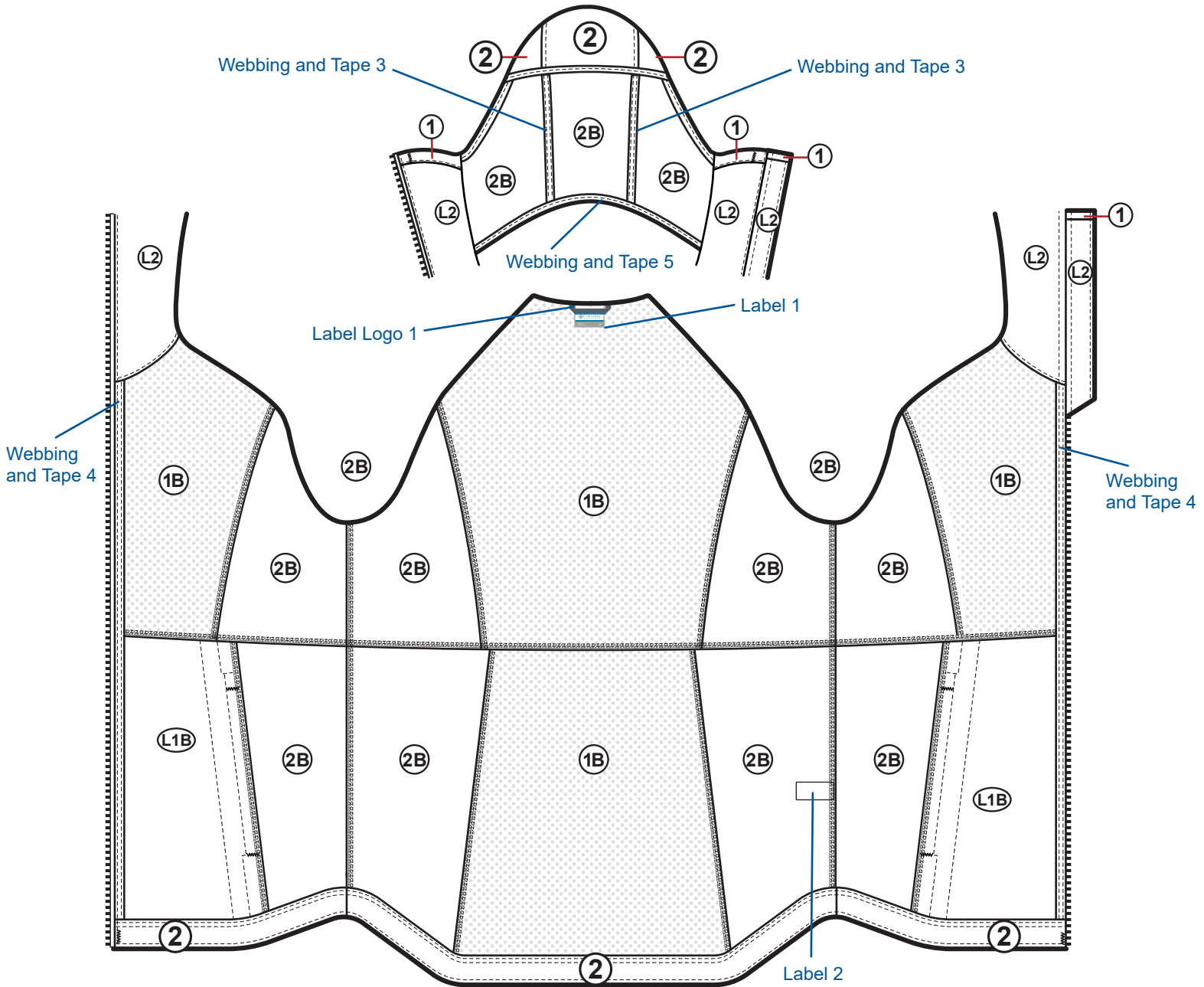
## Technical

Line Slot: Canyon Meadows II Softshell Jkt W		State: Production	Season: F24
Merchandise Division: Outerwear	Merchandise Collection: Trail	Product Class: Soft Shell Tops	
Designer: nzan	Developer: wendall.nelson	LO Developer: kgokul	Sourcing Manager: melissa.gallagher
Fit Engineer: wzeng			



Design:	F4WO20850	Sample LO:	1	Production LO:	India		
Style	Material Style	Style Description	Pattern	Base Size	Size Scale	Fit	SMU Type
WK978	2085011	Canyon Meadows™ II Softshell Jacket	L22L2036	M	XS - XXL	Active	N/A

Last Updated: 01.01.21 XX



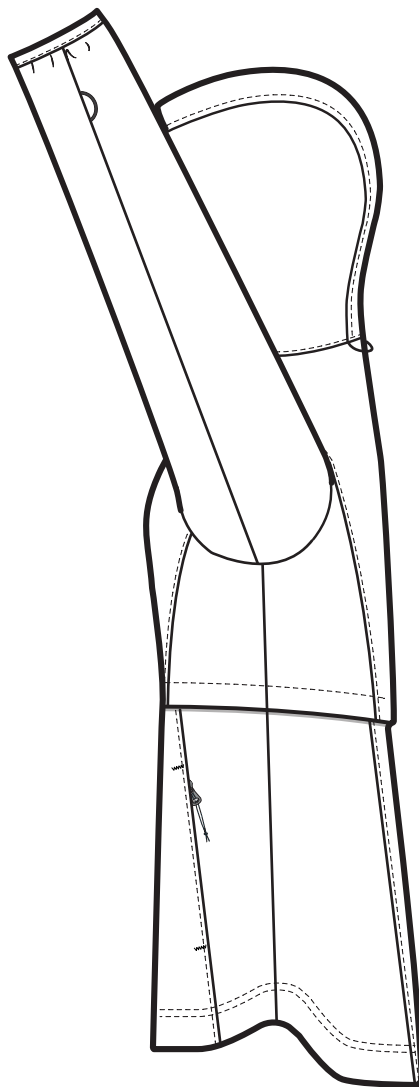
### Technical

Line Slot: Canyon Meadows II Softshell Jkt W      State: Production      Season: F24  
 Merchandise Division: Outerwear      Merchandise Collection: Trail      Product Class: Soft Shell Tops  
 Designer: nzan      Developer: wendall.nelson      LO Developer: kgokul      Sourcing Manager: melissa.gallagher  
 Fit Engineer: wzeng

Design:	F4WO20850 1	Sample LO:		Production LO:	India		
Style	Material Style	Style Description	Pattern	Base Size	Size Scale	Fit	SMU Type
WK7978	2085011	Canyon Meadows™ II Softshell Jacket	L22L2036	M	XS - XXL	Active	N/A



### SIDE VIEW



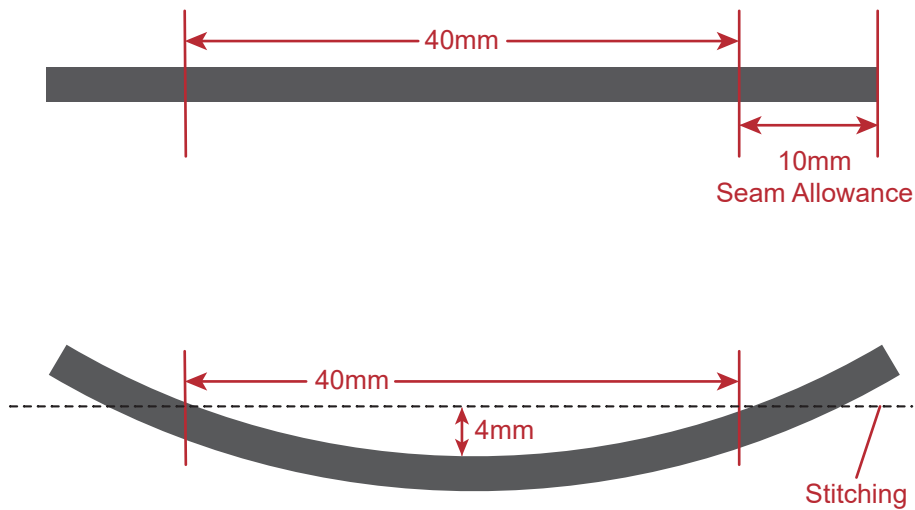
## Technical

Line Slot: Canyon Meadows II Softshell Jkt W      State: Production      Season: F24  
 Merchandise Division: Outerwear      Merchandise Collection: Trail      Product Class: Soft Shell Tops  
 Designer: nzan      Developer: wendall.nelson      LO Developer: kgokul      Sourcing Manager: melissa.gallagher  
 Fit Engineer: wzeng

Design:	F4WO20850 1	Sample LO:		Production LO:	India		
Style	Material Style	Style Description	Pattern	Base Size	Size Scale	Fit	SMU Type
WK7978	2085011	Canyon Meadows™ II Softshell Jacket	L22L2036	M	XS - XXL	Active	N/A



### I/C LOOPS AT CUFFS



For the Liner Jackets Sleeve Cuff Interchange Loop:  
Please make sure loop won't twist

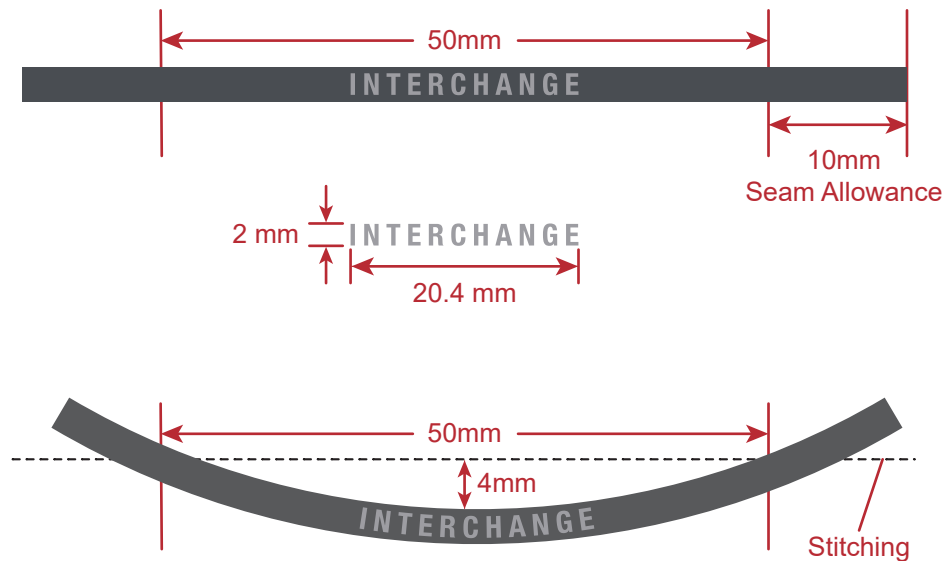
## Technical

Line Slot: Canyon Meadows II Softshell Jkt W      State: Production      Season: F24  
 Merchandise Division: Outerwear      Merchandise Collection: Trail      Product Class: Soft Shell Tops  
 Designer: nzan      Developer: wendall.nelson      LO Developer: kgokul      Sourcing Manager: melissa.gallagher  
 Fit Engineer: wzeng

Design:	F4WO20850 1	Sample LO:		Production LO:	India		
Style	Material Style	Style Description	Pattern	Base Size	Size Scale	Fit	SMU Type
WK7978	2085011	Canyon Meadows™ II Softshell Jacket	L22L2036	M	XS - XXL	Active	N/A



### I/C LOOPS AT CB NECKLINE



For the Liner Jackets Center-Back neckseam Interchange Loop:  
 Please make sure the "INTERCHANGE" text will be shown front  
 and center; please make sure the loop won't twist.

## Technical

Line Slot: Canyon Meadows II Softshell Jkt W      State: Production      Season: F24  
 Merchandise Division: Outerwear      Merchandise Collection: Trail      Product Class: Soft Shell Tops  
 Designer: nzan      Developer: wendall.nelson      LO Developer: kgokul      Sourcing Manager: melissa.gallagher  
 Fit Engineer: wzeng

Design:	F4WO20850	Sample LO:	1	Production LO:	India		
Style	Material Style	Style Description	Pattern	Base Size	Size Scale	Fit	SMU Type
WK7978	2085011	Canyon Meadows™ II Softshell Jacket	L22L2036	M	XS - XXL	Active	N/A



## INSPIRATION IMAGES

High collar to protect nose and mouth



Scuba hood shape and fit



This is confidential and proprietary information of Columbia Sportswear Company. You agree that you will not disclose this information to any third party or use it for any purpose other than on behalf of Columbia. You have no right to use Columbia's name or any of its trademarks, trade names, copyrights, patents, designs or other intellectual property except as set forth in writing by Columbia.

# Hangtag Package Report

Apparel Style: WK7978

Season: F24

Brand: Columbia

Merchandise Category: Outerwear

Merchandiser: atheeler

Line Slot: Canyon Meadows II Softshell Jkt W

Sort Order: 1.0 Part: 126966 - Active Fit Swing Tag  
 Instruction: Swing tag to be placed on top of cover tag on same plastic loop.

SKU	Color	Name	Effective Date
OP1490983	126966	OP1490983_126966_MT_Active Fit	10-18-23



Color	Label	Material	Material Code
Process Blue / Peaches Blue	126966	126966	MT-1
75" x 137" / 1056mm x 883mm	126966	126966	MT-1

Sort Order: 1.0 Part: 126995 - Columbia Omni-Heat Infinity, Omni-Shield Hangtag  
 Instruction: (Tag should be hung with 3" plastic loop stringer through lower left front pocket zipper pull)

SKU	Color	Name	Effective Date
OP1490998	126995	OP1490998_126995_CT_Columbia_Omni-Heat Infinity, Omni-Shield	10-18-23



Color	Label	Material	Material Code
Process Blue / AC	126995	126995	CT-2
1.88" x 4.87" / 48.01mm x 123.81mm	126995	126995	CT-2

Sort Order: 9.0 Part: 121612 - MSRP/UPC with RFID Specs for MSRP.  
 Please refer to VAS specs for any exceptions. MSRP required on all product shipping to the US.  
 Instruction:

SKU	Color	Name	Effective Date
n/a	121612	PDM_121612_RFID UPC Sticker...Dec...3...2022	12-03-22



Color	Label	Material	Material Code
Black	121612	121612	UPC-5
1.5885" x 1.6281" / 40.34mm x 41.5mm	121612	121612	UPC-5