

Related Styles

Line Slot: Ascender II HDD
 Merchandise Division: Outerwear
 Designer: dmaguire
 Fit Engineer: alicehan

Merchandise Collection: Trail
 Developer: wendall.nelson

State: Production
 Product Class: Soft Shell Tops
 LO Developer: unassigned

Season: F24
 Sourcing Manager: melissa.gallagher



| | | | | | | | |
|---------|----------------|--------------------------------------|----------|----------------|------------|---------|-----------|
| Design: | F4MO209045 | Sample LO: | | Production LO: | India | | |
| Style | Material Style | Style Description | Pattern | Base Size | Size Scale | Fit | SMU Type |
| WM5779 | 2090451 | Ascender™ II Hooded Softshell Jacket | L14M2016 | M | S - XXL | Regular | Color Add |

| Style | Material Style | Style Description | Design | Pattern | Base Size | Size Scale | Sample LO | Production LO |
|--------|----------------|--------------------------------------|------------|-----------|-----------|------------|-----------|---------------|
| WX5779 | 2090454 | Ascender™ II Hooded Softshell Jacket | F4MO209045 | EL14M2016 | M | S - XXL | | India |
| WS5779 | 2090452 | Ascender™ II Hooded Softshell Jacket | F4MO209045 | L14S2016 | 2X | 1X - 6X | | India |
| WT5779 | 2090453 | Ascender™ II Hooded Softshell Jacket | F4MO209045 | L14T2016 | 2XT | LT - 4XT | | India |

This is confidential and proprietary information of Columbia Sportswear Company. You agree that you will not disclose this information to any third party or use it for any purpose other than on behalf of Columbia. You have no right to use Columbia's name or any of its trademarks, trade names, copyrights, patents, designs or other intellectual property except as set forth in writing by Columbia.

Part Specifications with Approved Suppliers

Line Slot: Ascender II HDD State: Production Season: F24
 Merchandise Division: Outerwear Merchandise Collection: Trail Product Class: Soft Shell Tops
 Designer: dmaquire Developer: wendall.nelson LO Developer: unassigned Sourcing Manager: melissa.gallagher
 Fit Engineer: alicehan



Design: F4MO209045 Sample LO: Production LO: India Vendor Master INDIA Vendor Master INDIA
 Production LO: Sourcing LO:
 Style Material Style Style Pattern Base Size Size Scale Fit SMU Type
 Description
 WM5779 2090451 Ascender™ II L14M2016 M S - XXL Regular Color Add
 Hooded Softshell Jacket

| Number | Description | UM | Fiber Content | Fiber Content Back | Material Coating | Material Finish (Face) | Material Laminate | Trim Specific | Supplier Art No | Country of Origin | Standard Cost (FOB) | Purchase Cost (CIF) | Product on Lead Time with Greige | Product on Lead Time without Greige |
|--|---|----|---|--------------------|---------------------|---|-----------------------|---------------|----------------------|-------------------|---------------------|---------------------|----------------------------------|-------------------------------------|
| Fabric | | | | | | | | | | | | | | |
| 121277 | PFC FREE Version of 032888 - Nexgen Contour Softshell | yd | 100% Polyester | 100% Polyester | MaterialCoatingNone | Durable Water Repellent (80/10HL) C0 PFOA/PFOS Free | Adhesive - Dot Matrix | | | | | | | |
| Jiaxing Deyong Textiles Co Ltd (JDT) | | | Fabric Width: 55.0 in Width Type: unassigned Primary Weight: 310.0 g/m2 | | | | | | TBD | China | 4.38 | 0.0 | 48 | 70 |
| 119358 | PFC Free Version of 064235 Nexgen Precision and Contour Softshell Face Only | yd | 100% Polyester | unassigned | MaterialCoatingNone | MaterialFinishNone, Durable Water Repellent (80/10HL) C0 PFOA/PFOS Free | MaterialLaminateNone | | | | | | | |
| Apex Textile Co. Ltd. | | | Fabric Width: 58.0 in Width Type: cuttable Primary Weight: 119.0 g/m2 | | | | | | FA1107DE | China | 1.94 | 0.0 | 30 | 40 |
| 004476 | FOR POCKETING AND YOUTH STYLES ONLY Chamois Touch Tricot | yd | 100% Polyester | unassigned | unassigned | Anti-pill (face), Brushed (Tech Face) | unassigned | | | | | | | |
| Huge-Bamboo Enterprise Co., Ltd. | | | Fabric Width: 60.0 in Width Type: cuttable Primary Weight: 75.0 g/m2 | | | | | | RA145069-7C-5910225A | Vietnam | 0.65 | 0.0 | 35 | 50 |
| Haren Textiles Pvt. Ltd. | | | Fabric Width: 60.0 in Width Type: cuttable Primary Weight: 80.0 g/m2 | | | | | | 90363 | India | 0.68 | 0.0 | 30 | 45 |
| YOUNGONE CORPORATION--Fabric division | | | Fabric Width: 60.0 in Width Type: cuttable Primary Weight: 77.0 g/m2 | | | | | | PDM004476 | Bangladesh | 0.915 | 0.0 | 40 | 70 |
| Huge Rock Textile Co., Ltd. | | | Fabric Width: 60.0 in Width Type: cuttable Primary Weight: 75.0 g/m2 | | | | | | 004476 | Taiwan | 0.95 | 0.0 | 60 | 75 |
| HTT Insprite (Xiamen) Imp & Exp Co. Ltd. | | | Fabric Width: 60.0 in Width Type: cuttable Primary Weight: 75.0 g/m2 | | | | | | 004476 | China | 0.67 | 0.0 | 35 | 60 |
| 011958 | Interlining Sew-In Non-Woven Lightweight Soft. Recycled version 110671 | yd | 80% Polyester, 20% Viscose | unassigned | unassigned | unassigned | unassigned | | | | | | | |
| MaxBond | | | Fabric Width: 48.0 in Width Type: cuttable Primary Weight: 30.0 g/m2 | | | | | | VP2830 | Vietnam | 0.28 | 0.0 | 10 | 20 |
| PCC asia LLC | | | Fabric Width: 60.0 in Width Type: cuttable Primary Weight: 29.0 g/m2 | | | | | | CL2101 | China | 0.23 | 0.0 | 14 | 21 |
| Trim | | | | | | | | | | | | | | |

Part Specifications with Approved Suppliers

Line Slot: Ascender II HDD State: Production Season: F24
 Merchandise Division: Outerwear Merchandise Collection: Trail Product Class: Soft Shell Tops
 Designer: dmaguire Developer: wendall.nelson LO Developer: unassigned Sourcing Manager: melissa.gallagher
 Fit Engineer: alicehan

Design: F4MO209045 Sample LO: Production LO: India Vendor Master: INDIA Vendor Master: INDIA
 Production LO: Sourcing LO:
 Style Material Style Style Pattern Base Size Size Scale Fit SMU Type
 Description
 WM5779 2090451 Ascender™ II L14M2016 M S - XXL Regular Color Add
 Hooded Softshell Jacket



| Number | Description | UM | Fiber Content | Fiber Content Back | Material Coating | Material Finish (Face) | Material Laminate | Trim Specific | Supplier Art No | Country of Origin | Standard Cost (FOB) | Purchase Cost (CIF) | Product on Lead Time with Greige | Product on Lead Time without Greige |
|---|--|----|--------------------------|--------------------|------------------|------------------------|-------------------|-----------------------------|---|-------------------|---------------------|---------------------|----------------------------------|-------------------------------------|
| 011001 | 3mm (fits single dc size 3mm) Small Hard TPU Cordlock Stopper 1 clr CANNOT BE DONE IN CLEAR COLOR White color may have a yellowing issue | ea | 100% TPU | unassigned | unassigned | unassigned | unassigned | Size UM: mm | | | | | | |
| Nifco Taiwan Corporation | | | | | | | | | CLS3 | Taiwan | 0.0432 | 0.0 | 30 | 35 |
| Unitex International Button Accessories Ltd | | | | | | | | | 011001 | China | 0.03505 | 0.0322 | 32 | 32 |
| Vietnam Trien Trieu (VTT) | | | | | | | | | 486811 | Vietnam | 0.03 | 0.0 | 30 | 30 |
| FGV - Shahi Exports Pvt. (SEP) Ltd. | | | | | | | | | 011001 | India | 0.0277 | 0.0 | 20 | 30 |
| POONG HAN PLASTIC (BD) LIMITED | | | | | | | | | PHCOL-007 | Bangladesh | 0.0115 | 0.0 | 0 | 30 |
| 003472 | 76mm (A) Bug Columbia Logo embroidery 1 clr. Est st ct 1795 | ea | unassigned | unassigned | unassigned | unassigned | unassigned | Size UM: mm Height: 14.0 | | | | | | |
| Contractor | | | | | | | | | unassigned | unassigned | 0.0 | 0.0 | 0 | 0 |
| Contractor-Korea | | | | | | | | | 3472 | South Korea | 0.1 | 0.0 | 14 | 14 |
| 005952 | 2mm Stretch Strong Drawcord 1 clr | yd | 64% Latex, 36% Polyester | unassigned | unassigned | unassigned | unassigned | Size UM: mm | | | | | | |
| Paiho Global | | | | | | | | | 5952 | Taiwan | 0.073 | 0.0 | 30 | 60 |
| Gong Myung Korea | | | | | | | | | GM-005952 | South Korea | 0.068 | 0.0 | 30 | 30 |
| Cosmos Knitting International Co. Ltd. | | | | | | | | | 005952 | Vietnam | 0.079 | 0.0 | 30 | 35 |
| Naturub Group of Companies | | | | | | | | | BBA-015605 | Bangladesh | 0.0761 | 0.0 | 20 | 25 |
| FGV - Shahi Exports Pvt. (SEP) Ltd. | | | | | | | | | 005952 | India | 0.0614 | 0.0 | 12 | 15 |
| 008166 | 1.5mm non stretch drawcord w/ticks 2 clr (ECO version use 082935) | yd | 100% Polyester | unassigned | unassigned | unassigned | unassigned | Size UM: yd | | | | | | |
| Chun Wo Ho Co. Ltd | | | | | | | | | 320704 | China | 0.07 | 0.0 | 30 | 35 |
| Gong Myung Korea | | | | | | | | | GM-8166 | South Korea | 0.06 | 0.0 | 30 | 30 |
| Paiho Global | | | | | | | | | 008166 | Taiwan | 0.049 | 0.0 | 30 | 60 |
| Naturub Group of Companies | | | | | | | | | BBA011534 (Multicolor) / BBA-011773 (Solid color) | Bangladesh | 0.0456 | 0.0 | 15 | 25 |
| FGV Sourced | | | | | | | | | 008166 | unassigned | 0.0609 | 0.0 | 15 | 0 |
| FGV - Shahi Exports Pvt. (SEP) Ltd. | | | | | | | | | 008166 | India | 0.0456 | 0.0 | 15 | 25 |

Part Specifications with Approved Suppliers

Line Slot: Ascender II HDD State: Production Season: F24
 Merchandise Division: Outerwear Merchandise Collection: Trail Product Class: Soft Shell Tops
 Designer: dmaguire Developer: wendall.nelson LO Developer: unassigned Sourcing Manager: melissa.gallagher
 Fit Engineer: alicehan

Design: F4MO209045 Sample LO: Production LO: India Vendor Master INDIA Vendor Master INDIA
 Production LO: Sourcing LO:

Style Material Style Style Pattern Base Size Size Scale Fit SMU Type
 Description
 WM5779 2090451 Ascender™ II L14M2016 M S - XXL Regular Color Add
 Hooded
 Softshell
 Jacket



| Number | Description | UM | Fiber Content | Fiber Content Back | Material Coating | Material Finish (Face) | Material Laminate | Trim Specific | Supplier Art No | Country of Origin | Standard Cost (FOB) | Purchase Cost (CIF) | Product on Lead Time with Greige | Product on Lead Time without Greige |
|---|---|-------|-----------------------------|--------------------|------------------|------------------------|-------------------|-------------------------|----------------------------------|-------------------|---------------------|---------------------|----------------------------------|-------------------------------------|
| 008214 | Coats ASTRA Spun Polyester Tex 27 40/2 | meter | 100% Polyester | unassigned | unassigned | unassigned | unassigned | Size UM: tex | | | | | | |
| Coats Global Thread | | | | | | | | | 8754120 | unassigned | 0.0003 | 0.0 | 0 | 0 |
| 031940 | 4.5mm ID Toggle | ea | 95% POM, 5% Stainless Steel | unassigned | unassigned | unassigned | unassigned | Size UM: mm | | | | | | |
| Nifco Taiwan Corporation | | | | | | | | | FCL7AA | Taiwan | 0.067 | 0.1 | 30 | 35 |
| FGV - Shahi Exports Pvt. (SEP) Ltd. | | | | | | | | | 031940 | unassigned | 0.0664 | 0.0 | 30 | 40 |
| 002614 | Plastic Washer (Polyurethane) (use on all Snap Stud and Post or Eyelets if needed) Clear | ea | 100% Polyurethane | unassigned | unassigned | unassigned | unassigned | Size UM: mm | | | | | | |
| Unitex International Button Accessories Ltd | | | | | | | | | 002614 | China | 0.00592 | 0.0 | 28 | 40 |
| FGV Sourced | | | | | | | | | 002614 | unassigned | 0.0 | 0.0 | 0 | 0 |
| Button International Company | | | | | | | | | 002614 | Taiwan | 0.0013 | 0.0 | 35 | 40 |
| 360027 | 3/8 in Grosgrain Tape Poly 1 clr | yd | 100% Polyester | unassigned | unassigned | unassigned | unassigned | Size UM: mm Width: 9.5 | | | | | | |
| Gong Myung Korea | | | | | | | | | 360027 | South Korea | 0.068 | 0.0 | 30 | 30 |
| Paiho Global | | | | | | | | | 360027 | Taiwan | 0.068 | 0.0 | 30 | 60 |
| Naturub Group of Companies | | | | | | | | | BND017368 | Bangladesh | 0.0636 | 0.0 | 30 | 45 |
| FGV - Shahi Exports Pvt. (SEP) Ltd. | | | | | | | | | 360027 | India | 0.0595 | 0.0 | 18 | 25 |
| 002673 | CNFOL-56 DA8BLH H3 P-TOP REVERSE OpenEnd Left-in AutoLk LargeHole AntSilver Sldr/Pl PlasticTopStop RevCoil CAN BE USED FOR CHILDREN Metal content | ea | unassigned | unassigned | unassigned | unassigned | unassigned | Size UM: in Length: 8.0 | | | | | | |
| YKK Global | | | | | | | | | CNFOL-56 DA8BLH H3 P-TOP REVERSE | Taiwan | 0.2824 | 0.0 | 35 | 35 |
| Ideal Fastener Global | | | | | | | | | NUSFOL56 N56B IP16 | unassigned | 0.2497 | 0.2428 | 25 | 40 |
| 003272 | CNFC-56 DA8BLH H3 T-B-0 REVERSE Clsd AutoLk LargeHole PI AntSil Sldr/PI NoStop RevCoil Metal content | ea | unassigned | unassigned | unassigned | unassigned | unassigned | Size UM: in Length: 4.0 | | | | | | |

Part Specifications with Approved Suppliers

Line Slot: Ascender II HDD State: Production Season: F24
 Merchandise Division: Outerwear Merchandise Collection: Trail Product Class: Soft Shell Tops
 Designer: dmaguire Developer: wendall.nelson LO Developer: unassigned Sourcing Manager: melissa.gallagher
 Fit Engineer: alicehan

Design: F4MO209045 Sample LO: Production LO: India Vendor Master: INDIA Vendor Master: INDIA
 Production LO: Sourcing LO:
 Style Material Style Style Pattern Base Size Size Scale Fit SMU Type
 Description
 WM5779 2090451 Ascender™ II L14M2016 M S - XXL Regular Color Add
 Hooded Softshell Jacket



| Number | Description | UM | Fiber Content | Fiber Content Back | Material Coating | Material Finish (Face) | Material Laminate | Trim Specific | Supplier Art No | Country of Origin | Standard Cost (FOB) | Purchase Cost (CIF) | Product on Lead Time with Greige | Product on Lead Time without Greige |
|-------------------------|---|----|-------------------------|--------------------|------------------|------------------------|-------------------|---------------|-------------------------|-------------------|---------------------|---------------------|----------------------------------|-------------------------------------|
| YKK Global | | | | | | | | | CNFC-56 DABLH H3 T -B-0 | Taiwan | 0.202 | 0.0 | 35 | 50 |
| Ideal Fastener Global | | | | | | | | | NSFC 56 N56B IP 16 | unassigned | 0.1554 | 0.0 | 25 | 50 |
| 059200 | 40mm CSC International Size Extended Woven ECO Loop Label for use with Hanger Loop | ea | 100% Recycled Polyester | unassigned | unassigned | unassigned | unassigned | Size UM: mm | | | | | | |
| Avery Dennison Global | | | | | | | | | 059200 | China | 0.05956 | 0.0 | 30 | 30 |
| Dong Young | | | | | | | | | DY-59200 | South Korea | 0.057 | 0.0 | 25 | 25 |
| Manohar Filaments | | | | | | | | | 23/11813/2 | India | 0.0446 | 0.0 | 14 | 30 |
| 006564 | 33mm Care Content ECO Booklet Fold label with fully translated country of origin WHT/BLK for most, BLK/WHT for Titanium only, GRY/BLK is for Garment DYE ONLY | ea | 100% Recycled Polyester | unassigned | unassigned | unassigned | unassigned | Size UM: mm | | | | | | |
| Dong Young | | | | | | | | | DY-006564 | South Korea | 0.038 | 0.0 | 15 | 15 |
| Avery Dennison Global | | | | | | | | | S2088861-8 | China | 0.01905 | 0.0 | 30 | 30 |
| Bao Shen (Apparel) | | | | | | | | | YL15110003 0 PS7530A5 | unassigned | 0.019 | 0.0 | 7 | 21 |
| Nexgen Packaging Global | | | | | | | | | 006564 | unassigned | 0.0221 | 0.0 | 21 | 28 |
| 097038 | Columbia Omni-Shield Hangtag | ea | unassigned | unassigned | unassigned | unassigned | unassigned | Size UM: cm | | | | | | |
| Hang Sang Press Co. Ltd | | | | | | | | | n/a | unassigned | 0.0273 | 0.0 | 0 | 0 |
| 126967 | Regular Fit Swing Tag | ea | unassigned | unassigned | unassigned | unassigned | unassigned | Size UM: in | | | | | | |
| Hang Sang Press Co. Ltd | | | | | | | | | n/a | unassigned | 0.023 | 0.0 | 0 | 0 |
| 121612 | MSRP/UPC with RFID Specs for MSRP. Please refer to VAS specs for any exceptions. MSRP required on all product shipping to the US. | ea | unassigned | unassigned | unassigned | unassigned | unassigned | Size UM: mm | | | | | | |
| Bao Shen (Apparel) | | | | | | | | | n/a | unassigned | 0.049 | 0.0 | 7 | 0 |
| Avery Dennison Global | | | | | | | | | n/a | unassigned | 0.04875 | 0.0 | 14 | 0 |

Color BOM

Line Slot: Ascender II HDD State: Production Season: F24
 Merchandise Division: Outerwear Merchandise Collection: Trail Product Class: Soft Shell Tops
 Designer: dmaguire Developer: wendall.nelson LO Developer: unassigned Sourcing Manager: melissa.gallagher
 Fit Engineer: alicehan

Design: F4MO209045 Sample LO: Production LO: India
 Style Material Style Style Description Pattern Base Size Size Scale Fit SMU Type
 WM5779 2090451 Ascender™ II L14M2016 M S - XXL Regular Color Add
 Hooded Softshell Jacket



| Component | Details | Placement | Usage | Width | Marker Width | 010-Black | 023-City Grey | 397-Stone Green | 464-Collegiate Navy | 681-Spice |
|--------------------------|--|-----------|---------|-------|--------------|-----------------|-------------------------|-----------------------------------|---|-----------------|
| SAP Material Code | | | | | | 209045101 0 | 209045102 3 | 209045139 7 | 209045146 4 | 209045268 1 |
| | | | | | | 209045301 0 | 209045302 3 | 209045339 7 | 209045346 4 | 209045368 1 |
| | | | | | | 209045201 0 | 209045202 3 | 209045239 7 | 209045246 4 | 209045168 1 |
| | | | | | | 209045401 0 | 209045402 3 | 209045439 7 | 209045446 4 | 209045468 1 |
| SMU Accounts | | | | | | N/A | N/A | N/A | N/A | N/A |
| Shell 1 | 121277 PFC FREE Version of 032888 - Nexgen Contour Softshell Composite 100% Polyester 100% Polyester 156X132 75 X75 Durable Water Repellent (80/10HL) C0 PFOA/PFOS Free MaterialCoatingNone Adhesive - Dot Matrix 310.0 g/m2 Piece Dye/Jet and Jig NA | | 1.58 yd | 55.0 | 0 | Black, Black | City Grey, City Grey | Stone Green, Stone Green | Collegiate Navy, Collegiate Navy | Spice, Spice |
| Shell 2 | 119358 PFC Free Version of 064235 Nexgen Precision and Contour Softshell Face Only Twill 100% Polyester 160 X 136 75D/72F X 75D/72F MaterialFinishNone, Durable Water Repellent (80/10HL) C0 PFOA/PFOS Free MaterialCoatingNone MaterialLaminateNone 119.0 g/m2 Piece Dye/Jet NA | | 0.2 yd | 58.0 | 0 | Black | City Grey | Stone Green | Collegiate Navy | Spice |

Color BOM

| | | | | | | | |
|---------------------------------|-------------------------------|---|-------------------|--------------|---------------------|--------------|---------------------|
| Line Slot: Ascender II HDD | State: Production | Season: F24 | | | | | |
| Merchandise Division: Outerwear | Merchandise Collection: Trail | Product Class: Soft Shell Tops | | | | | |
| Designer: dmaquire | Developer: wendall.nelson | LO Developer: unassigned | | | | | |
| Fit Engineer: alicehan | | Sourcing Manager: melissa.gallagher | | | | | |
| Design: F4MO209045 | Sample LO: | Production LO: India | | | | | |
| Style: WM5779 | Material Style: 2090451 | Style Description: Ascender™ II Hooded Softshell Jacket | Pattern: L14M2016 | Base Size: M | Size Scale: S - XXL | Fit: Regular | SMU Type: Color Add |



| Component | Details | Placement | Usage | Width | Marker Width | 010-Black | 023-City Grey | 397-Stone Green | 464-Collegiate Navy | 681-Spice |
|--------------------------|--|-----------|----------|-------|--------------|---------------|----------------------|-----------------|--------------------------------|----------------------|
| SAP Material Code | | | | | | 2090451010 | 2090451023 | 2090451397 | 2090451464 | 2090452681 |
| | | | | | | 2090453010 | 2090453027 | 2090453397 | 2090453464 | 2090453681 |
| | | | | | | 2090452010 | 2090452023 | 2090452397 | 2090452464 | 2090451681 |
| | | | | | | 2090454010 | 2090454023 | 2090454397 | 2090454464 | 2090454681 |
| Lining 1 | 004476 FOR POCKETING AND YOUTH STYLES ONLY Chamois Touch Tricot Tricot 100% Polyester 28 Anti-pill (face), Brushed (Tech Face) 80.0 g/m2 Piece Dye/Jet NA | | 0.23 yd | 60.0 | 0 | Black | Shark | Black | Collegiate Navy | Black |
| Interfacing 1 | 011958 Interlining Sew-In Non-Woven Lightweight Soft. Recycled version 110671 Interlining 80% Polyester, 20% Viscose 29.0 g/m2 | | 0.11 yd | 60.0 | 0 | White | White | White | White | White |
| Bead 1 | 011001 3mm (fits single dc size 3mm) Small Hard TPU Cordlock Stopper 1 clr CANNOT BE DONE IN CLEAR COLOR White color may have a yellowing issue | | 1 ea | 0.0 | 0 | Black | Grill | Black | Collegiate Navy | Grill |
| Direct Embroidery 1 | 003472 76mm (A) Bug Columbia Logo embroidery 1 clr. Est st ct 1795 Height: 14.0 | | 1 ea | 0.0 | 0 | Columbia Grey | Columbia Grey | Black | Columbia Grey | Columbia Grey |
| Drawcord-Cording-Laces 1 | 005952 2mm Stretch Strong Drawcord 1 clr | | 1.371 yd | 0.0 | 0 | Black | City Grey | Stone Green | Collegiate Navy | Spice |
| Drawcord-Cording-Laces 2 | 008166 1.5mm non stretch drawcord w/ticks 2 clr (ECO version use 082935) | | 0.816 yd | 0.0 | 0 | Black, Grill | Grill, Columbia Grey | Black, Grill | Collegiate Navy, Columbia Grey | Grill, Columbia Grey |

Color BOM

| | | | | | | | |
|---------------------------------|-------------------------------|---|-------------------|--------------|---------------------|--------------|---------------------|
| Line Slot: Ascender II HDD | State: Production | Season: F24 | | | | | |
| Merchandise Division: Outerwear | Merchandise Collection: Trail | Product Class: Soft Shell Tops | | | | | |
| Designer: dmaquire | Developer: wendall.nelson | LO Developer: unassigned | | | | | |
| Fit Engineer: alicehan | | Sourcing Manager: melissa.gallagher | | | | | |
| Design: F4MO209045 | Sample LO: | Production LO: India | | | | | |
| Style: WM5779 | Material Style: 2090451 | Style Description: Ascender™ II Hooded Softshell Jacket | Pattern: L14M2016 | Base Size: M | Size Scale: S - XXL | Fit: Regular | SMU Type: Color Add |



| Component | Details | Placement | Usage | Width | Marker Width | 010-Black | 023-City Grey | 397-Stone Green | 464-Collegiate Navy | 681-Spice |
|--------------------------|---|---|-----------|-------|--------------|----------------------|----------------------|----------------------|----------------------|----------------------|
| SAP Material Code | | | | | | 2090451010 | 2090451023 | 2090451397 | 2090451464 | 2090452681 |
| | | | | | | 2090453010 | 2090453023 | 2090453397 | 2090453464 | 2090453681 |
| | | | | | | 2090452010 | 2090452023 | 2090452397 | 2090452464 | 2090451681 |
| | | | | | | 2090454010 | 2090454023 | 2090454397 | 2090454464 | 2090454681 |
| Eyelets-Grommets 1 | 026906 SAME AS 420024 6mm ID Metal Finish Eyelet 1 clr finish. Use 059588 for enamel DTM color. | | 1 set | 0.0 | 0 | Black Nickel Finish | Black Nickel Finish | Black Nickel Finish | Black Nickel Finish | Black Nickel Finish |
| Hook 1 | 460003 3/4in (20mm) Linear Hook/ two side edge 1clr Width: 19.0 | | 0.114 yd | 0.0 | 0 | Black | City Grey | Stone Green | Collegiate Navy | Spice |
| Hook 2 | 460003 3/4in (20mm) Linear Hook/ two side edge 1clr Width: 19.0 | | 0.059 yd | 0.0 | 0 | Black | City Grey | Stone Green | Collegiate Navy | Spice |
| Label Logo 1 | 059197 USE ONLY FOR ALL ADULT sizes AND YOUTH S-XL 42mm x 8mm Lightweight Stripe woven ECO Hanger Loop DOWN 2 clr other colors w Director approval only | | 1 ea | 0.0 | 0 | Columbia Grey, Grill | Columbia Grey, Grill | Columbia Grey, Grill | Columbia Grey, Grill | Columbia Grey, Grill |
| Loop 1 | 460004 3/4in (20mm) Linear Loop/two side edge 1clr Width: 19.0 | | 0.25 yd | 0.0 | 0 | Black | City Grey | Stone Green | Collegiate Navy | Spice |
| Loop 2 | 460004 3/4in (20mm) Linear Loop/two side edge 1clr Width: 19.0 | | 0.097 yd | 0.0 | 0 | Black | City Grey | Stone Green | Collegiate Navy | Spice |
| Thread 1 | 110529 Coats Astra spun Polyester Tex 30 | 10/09/2020: updated per LOM (BM) from 060282 Coats Epic Tex 30 thread. Agreed due to this is not a seal sealed style. | 75 meter | 0.0 | 0 | DTM | DTM | DTM | DTM | DTM |
| Thread 2 | 008214 Coats ASTRA Spun Polyester Tex 27 40/2 | | 575 meter | 0.0 | 0 | DTM | DTM | DTM | DTM | DTM |
| Toggle 1 | 031940 4.5mm ID Toggle | | 1 ea | 0.0 | 0 | Black | Grill | Black | Collegiate Navy | Grill |

Color BOM

| | | | | | | | |
|---------------------------------|-------------------------------|---|-------------------|--------------|---------------------|--------------|---------------------|
| Line Slot: Ascender II HDD | State: Production | Season: F24 | | | | | |
| Merchandise Division: Outerwear | Merchandise Collection: Trail | Product Class: Soft Shell Tops | | | | | |
| Designer: dmaquire | Developer: wendall.nelson | LO Developer: unassigned | | | | | |
| Fit Engineer: alicehan | | Sourcing Manager: melissa.gallagher | | | | | |
| Design: F4MO209045 | Sample LO: | Production LO: India | | | | | |
| Style: WM5779 | Material Style: 2090451 | Style Description: Ascender™ II Hooded Softshell Jacket | Pattern: L14M2016 | Base Size: M | Size Scale: S - XXL | Fit: Regular | SMU Type: Color Add |



| Component | Details | Placement | Usage | Width | Marker Width | 010-Black | 023-City Grey | 397-Stone Green | 464-Collegiate Navy | 681-Spice |
|--------------------------|--|-----------|----------|-------|--------------|------------------------------------|------------------------------------|------------------------------------|------------------------------------|------------------------------------|
| SAP Material Code | | | | | | 2090451010 | 2090451023 | 2090451397 | 2090451464 | 2090452681 |
| | | | | | | 2090453010 | 2090453027 | 2090453397 | 2090453464 | 2090453681 |
| | | | | | | 2090452010 | 2090452023 | 2090452397 | 2090452464 | 2090451681 |
| | | | | | | 2090454010 | 2090454023 | 2090454397 | 2090454464 | 2090454681 |
| Washer 1 | 002614 Plastic Washer (Polyurethane) (use on all Snap Stud and Post or Eyelets if needed) Clear | | 2 ea | 0.0 | 0 | Clear | Clear | Clear | Clear | Clear |
| Webbing and Tape 1 | 360027 3/8 in Grosgrain Tape Poly 1 clr Width: 9.5 | | 0.125 yd | 0.0 | 0 | Black | Grill | Black | Collegiate Navy | Grill |
| Zipper 1 | 002673 CNFOL-56 DA8BLH H3 P-TOP REVERSE OpenEnd Left-in AutoLk LargeHole AntSilver Sldr/PI PlasticTopStop RevCoil CAN BE USED FOR CHILDREN Metal content Length: 8.0 | | 1 ea | 0.0 | 0 | Black | City Grey | Stone Green | Collegiate Navy | Spice |
| Zipper 2 | 003272 CNFC-56 DA8BLH H3 T-B-0 REVERSE Cisd AutoLk LargeHole PI AntSil Sldr/PI NoStop RevCoil Metal content Length: 4.0 | | 2 ea | 0.0 | 0 | Black | City Grey | Stone Green | Collegiate Navy | Spice |
| Zipper 3 | 003272 CNFC-56 DA8BLH H3 T-B-0 REVERSE Cisd AutoLk LargeHole PI AntSil Sldr/PI NoStop RevCoil Metal content Length: 4.0 | | 1 ea | 0.0 | 0 | Black | City Grey | Stone Green | Collegiate Navy | Spice |
| Label 1 | 059200 40mm CSC International Size Extended Woven ECO Loop Label for use with Hanger Loop | | 1 ea | 0.0 | 0 | White, Columbia Grey, Compass Blue | White, Columbia Grey, Compass Blue | White, Columbia Grey, Compass Blue | White, Columbia Grey, Compass Blue | White, Columbia Grey, Compass Blue |
| Label 2 | 006564 33mm Care Content ECO Booklet Fold label with fully translated country of origin WHT/BLK for most, BLK/WHT for Titanium only, GRY/BLK is for Garment DYE ONLY | | 1 ea | 0.0 | 0 | White, Black | White, Black | White, Black | White, Black | White, Black |

Color BOM

Line Slot: Ascender II HDD State: Production Season: F24
 Merchandise Division: Outerwear Merchandise Collection: Trail Product Class: Soft Shell Tops
 Designer: dmaquire Developer: wendall.nelson LO Developer: unassigned Sourcing Manager: melissa.gallagher
 Fit Engineer: alicehan
 Design: F4MO209045 Sample LO: Production LO: India
 Style Material Style Style Description Pattern Base Size Size Scale Fit SMU Type
 WM5779 2090451 Ascender™ II L14M2016 M S - XXL Regular Color Add
 Hooded Softshell Jacket



| Component | Details | Placement | Usage | Width | Marker Width | 010-Black | 023-City Grey | 397-Stone Green | 464-Collegiate Navy | 681-Spice |
|--------------------------|--|-----------|-------|-------|--------------|------------|---------------|-----------------|---------------------|------------|
| SAP Material Code | | | | | | 2090451010 | 2090451023 | 2090451397 | 2090451464 | 2090452681 |
| | | | | | | 2090453010 | 2090453023 | 2090453397 | 2090453464 | 2090453681 |
| | | | | | | 2090452010 | 2090452023 | 2090452397 | 2090452464 | 2090451681 |
| | | | | | | 2090454010 | 2090454023 | 2090454397 | 2090454464 | 2090454681 |
| Hangtag Package Part | 097038 Columbia Omni-Shield Hangtag | | 1 ea | 0.0 | 0 | Artwork | Artwork | Artwork | Artwork | Artwork |
| Hangtag Package Part | 126967 Regular Fit Swing Tag | | 1 ea | 0.0 | 0 | Artwork | Artwork | Artwork | Artwork | Artwork |
| Hangtag Package Part | 121612 MSRP/UPC with RFID Specs for MSRP. Please refer to VAS specs for any exceptions. MSRP required on all product shipping to the US. | | 1 ea | 0.0 | 0 | Artwork | Artwork | Artwork | Artwork | Artwork |
| Packaging 1 | 064194 Outer Carton for costing purpose only | | 1 ea | 0.0 | 0 | Stock | Stock | Stock | Stock | Stock |
| Packaging 2 | 980001 Polybag See Standard CCS 4200 for specifications | | 1 ea | 0.0 | 0 | Stock | Stock | Stock | Stock | Stock |
| Packaging 3 | 980010 UPC Bag Sticker Generic (MHW/Columbia) See CCS4400/ 4401 and MHW4402 for Mt Hardware for instructions | | 1 ea | 0.0 | 0 | Artwork | Artwork | Artwork | Artwork | Artwork |

This is confidential and proprietary information of Columbia Sportswear Company. You agree that you will not disclose this information to any third party or use it for any purpose other than on behalf of Columbia. You have no right to use Columbia's name or any of its trademarks, trade names, copyrights, patents, designs or other intellectual property except as set forth in writing by Columbia.

Colorless BOM



Line Slot: Ascender II HDD State: Production Season: F24
 Merchandise Division: Outerwear Merchandise Collection: Trail Product Class: Soft Shell Tops
 Designer: dmaquire Developer: wendall.nelson LO Developer: unassigned Sourcing Manager: melissa.gallagher
 Fit Engineer: alicehan
 Design: F4MO20904 Sample LO: 5 Production LO: India
 Style: WM5779 Material Style: 2090451 Style Description: Ascender™ II Hooded Softshell Jacket Pattern: L14M2016 Base Size: M Size Scale: S - XXL Fit: Regular SMU Type: Color Add

| Component | Details | Placement | Usage | Width | Marker Width |
|--------------------------|--|-----------|----------|-------|--------------|
| SAP Material Code | | | | | |
| Shell 1 | 121277 PFC FREE Version of 032888 - Nexgen Contour Softshell Composite 100% Polyester 100% Polyester 156X132 75 X75 Durable Water Repellent (80/10HL) C0 PFOA/PFOS Free MaterialCoatingNone Adhesive - Dot Matrix 310.0 g/m2 Piece Dye/Jet and Jig NA | | 1.58 yd | 55.0 | 0 |
| Shell 2 | 119358 PFC Free Version of 064235 Nexgen Precision and Contour Softshell Face Only Twill 100% Polyester 160 X 136 75D/72F X 75D/72F MaterialFinishNone, Durable Water Repellent (80/10HL) C0 PFOA/PFOS Free MaterialCoatingNone MaterialLaminateNone 119.0 g/m2 Piece Dye/Jet NA | | 0.2 yd | 58.0 | 0 |
| Lining 1 | 004476 FOR POCKETING AND YOUTH STYLES ONLY Chamois Touch Tricot Tricot 100% Polyester 28 Anti-pill (face), Brushed (Tech Face) 80.0 g/m2 Piece Dye/Jet NA | | 0.23 yd | 60.0 | 0 |
| Interfacing 1 | 011958 Interlining Sew-In Non-Woven Lightweight Soft. Recycled version 110671 Interlining 80% Polyester, 20% Viscose 29.0 g/m2 | | 0.11 yd | 60.0 | 0 |
| Bead 1 | 011001 3mm (fits single dc size 3mm) Small Hard TPU Cordlock Stopper 1 clr. CANNOT BE DONE IN CLEAR COLOR White color may have a yellowing issue | | 1 ea | 0.0 | 0 |
| Direct Embroidery 1 | 003472 76mm (A) Bug Columbia Logo embroidery 1 clr. Est st ct 1795 Height: 14.0 | | 1 ea | 0.0 | 0 |
| Drawcord-Cording-Laces 1 | 005952 2mm Stretch Strong Drawcord 1 clr | | 1.371 yd | 0.0 | 0 |
| Drawcord-Cording-Laces 2 | 008166 1.5mm non stretch drawcord w/ticks 2 clr (ECO version use 082935) | | 0.816 yd | 0.0 | 0 |
| Eyelets-Grommets 1 | 026906 SAME AS 420024 6mm ID Metal Finish Eyelet 1 clr finish. Use 059588 for enamel DTM color. | | 1 set | 0.0 | 0 |

Colorless BOM



Line Slot: Ascender II HDD State: Production Season: F24
 Merchandise Division: Outerwear Merchandise Collection: Trail Product Class: Soft Shell Tops
 Designer: dmaguire Developer: wendall.nelson LO Developer: unassigned Sourcing Manager: melissa.gallagher
 Fit Engineer: alicehan
 Design: F4MO20904 Sample LO: 5 Production LO: India
 Style: WM5779 Material Style: 2090451 Style Description: Ascender™ II Hooded Softshell Jacket Pattern: L14M2016 Base Size: M Size Scale: S - XXL Fit: Regular SMU Type: Color Add

| Component | Details | Placement | Usage | Width | Marker Width |
|--------------------------|--|---|-----------|-------|--------------|
| SAP Material Code | | | | | |
| Hook 1 | 460003 3/4in (20mm) Linear Hook/ two side edge 1clr Width: 19.0 | | 0.114 yd | 0.0 | 0 |
| Hook 2 | 460003 3/4in (20mm) Linear Hook/ two side edge 1clr Width: 19.0 | | 0.059 yd | 0.0 | 0 |
| Label Logo 1 | 059197 USE ONLY FOR ALL ADULT sizes AND YOUTH S-XL 42mm x 8mm Lightweight Stripe woven ECO Hanger Loop DOWN 2 clr other colors w Director approval only | | 1 ea | 0.0 | 0 |
| Loop 1 | 460004 3/4in (20mm) Linear Loop/two side edge 1clr Width: 19.0 | | 0.25 yd | 0.0 | 0 |
| Loop 2 | 460004 3/4in (20mm) Linear Loop/two side edge 1clr Width: 19.0 | | 0.097 yd | 0.0 | 0 |
| Thread 1 | 110529 Coats Astra spun Polyester Tex 30 | 10/09/2020: updated per LOM (BM) from 060282 Coats Epic Tex 30 thread. Agreed due to this is not a seal sealed style. | 75 meter | 0.0 | 0 |
| Thread 2 | 008214 Coats ASTRA Spun Polyester Tex 27 40/2 | | 575 meter | 0.0 | 0 |
| Toggle 1 | 031940 4.5mm ID Toggle | | 1 ea | 0.0 | 0 |
| Washer 1 | 002614 Plastic Washer (Polyurethane) (use on all Snap Stud and Post or Eyelets if needed) Clear | | 2 ea | 0.0 | 0 |
| Webbing and Tape 1 | 360027 3/8 in Grosgrain Tape Poly 1 clr Width: 9.5 | | 0.125 yd | 0.0 | 0 |
| Zipper 1 | 002673 CNFOL-56 DA8BLH H3 P-TOP REVERSE OpenEnd Left-in AutoLk LargeHole AntSilver Sldr/PI PlasticTopStop RevCoil CAN BE USED FOR CHILDREN Metal content Length: 8.0 | | 1 ea | 0.0 | 0 |
| Zipper 2 | 003272 CNFC-56 DA8BLH H3 T-B-0 REVERSE Clsd AutoLk LargeHole PI AntSil Sldr/PI NoStop RevCoil Metal content Length: 4.0 | | 2 ea | 0.0 | 0 |
| Zipper 3 | 003272 CNFC-56 DA8BLH H3 T-B-0 REVERSE Clsd AutoLk LargeHole PI AntSil Sldr/PI NoStop RevCoil Metal content Length: 4.0 | | 1 ea | 0.0 | 0 |
| Label 1 | 059200 40mm CSC International Size Extended Woven ECO Loop Label for use with Hanger Loop | | 1 ea | 0.0 | 0 |
| Label 2 | 006564 33mm Care Content ECO Booklet Fold label with fully translated country of origin WHT/BLK for most, BLK/WHT for Titanium only, GRY/BLK is for Garment DYE ONLY | | 1 ea | 0.0 | 0 |
| Hangtag Package Part | 097038 Columbia Omni-Shield Hangtag | | 1 ea | 0.0 | 0 |

Colorless BOM

Line Slot: Ascender II HDD State: Production Season: F24
 Merchandise Division: Outerwear Merchandise Collection: Trail Product Class: Soft Shell Tops
 Designer: dmaquire Developer: wendall.nelson LO Developer: unassigned Sourcing Manager: melissa.gallagher
 Fit Engineer: alicehan
 Design: F4MO20904 Sample LO: 5 Production LO: India
 Style: WM5779 Material Style: 2090451 Style Description: Ascender™ II Hooded Softshell Jacket Pattern: L14M2016 Base Size: M Size Scale: S - XXL Fit: Regular SMU Type: Color Add



| Component | Details | Placement | Usage | Width | Marker Width |
|--------------------------|--|-----------|-------|-------|--------------|
| SAP Material Code | | | | | |
| Hangtag Package Part | 126967 Regular Fit Swing Tag | | 1 ea | 0.0 | 0 |
| Hangtag Package Part | 121612 MSRP/UPC with RFID Specs for MSRP. Please refer to VAS specs for any exceptions. MSRP required on all product shipping to the US. | | 1 ea | 0.0 | 0 |
| Packaging 1 | 064194 Outer Carton for costing purpose only | | 1 ea | 0.0 | 0 |
| Packaging 2 | 980001 Polybag See Standard CCS 4200 for specifications | | 1 ea | 0.0 | 0 |
| Packaging 3 | 980010 UPC Bag Sticker Generic (MHW/Columbia) See CCS4400/ 4401 and MHW4402 for Mt Hardwear for instructions | | 1 ea | 0.0 | 0 |

This is confidential and proprietary information of Columbia Sportswear Company. You agree that you will not disclose this information to any third party or use it for any purpose other than on behalf of Columbia. You have no right to use Columbia's name or any of its trademarks, trade names, copyrights, patents, designs or other intellectual property except as set forth in writing by Columbia.

Color Specification

| | | | |
|---------------------------------|-------------------------------|---|-------------------------------------|
| Line Slot: Ascender II HDD | State: Production | Season: F24 | |
| Merchandise Division: Outerwear | Merchandise Collection: Trail | Product Class: Soft Shell Tops | |
| Designer: dmaquire | Developer: wendall.nelson | LO Developer: unassigned | Sourcing Manager: melissa.gallagher |
| Fit Engineer: alicehan | | | |
| Design: F4MO209045 | Sample LO: | Production LO: India | |
| Style: WM5779 | Material Style: 2090451 | Style Description: Ascender™ II Hooded Softshell Jacket | Pattern: L14M2016 |
| | | Base Size: M | Size Scale: S - XXL |
| | | Fit: Regular | SMU Type: Color Add |



| Component - Material | 010-Black | 023-City Grey | 257-Delta | 397-Stone Green | 464-Collegiate Navy | 681-Spice |
|-----------------------------------|------------------------------------|------------------------------------|------------------------------------|------------------------------------|------------------------------------|------------------------------------|
| Shell 1 - 121277 | Black, Black | City Grey, City Grey | Delta, Delta | Stone Green, Stone Green | Collegiate Navy, Collegiate Navy | Spice, Spice |
| Shell 2 - 119358 | Black | City Grey | Delta | Stone Green | Collegiate Navy | Spice |
| Drawcord-Cording-Laces 1 - 005952 | | | | | | |
| Hook 1 - 460003 | | | | | | |
| Hook 2 - 460003 | | | | | | |
| Loop 1 - 460004 | | | | | | |
| Loop 2 - 460004 | | | | | | |
| Zipper 1 - 002673 | | | | | | |
| Zipper 2 - 003272 | | | | | | |
| Zipper 3 - 003272 | | | | | | |
| Lining 1 - 004476 | Black | Shark | Black | Black | Collegiate Navy | Black |
| Interfacing 1 - 011958 | White | White | White | White | White | White |
| Bead 1 - 011001 | Black | Grill | Black | Black | Collegiate Navy | Grill |
| Toggle 1 - 031940 | | | | | | |
| Webbing and Tape 1 - 360027 | | | | | | |
| Direct Embroidery 1 - 003472 | Columbia Grey | Columbia Grey | Black | Black | Columbia Grey | Columbia Grey |
| Drawcord-Cording-Laces 2 - 008166 | Black, Grill | Grill, Columbia Grey | Black, Grill | Black, Grill | Collegiate Navy, Columbia Grey | Grill, Columbia Grey |
| Eyelets-Grommets 1 - 026906 | Black Nickel Finish | Black Nickel Finish | Black Nickel Finish | Black Nickel Finish | Black Nickel Finish | Black Nickel Finish |
| Label Logo 1 - 059197 | Columbia Grey, Grill | Columbia Grey, Grill | Columbia Grey, Grill | Columbia Grey, Grill | Columbia Grey, Grill | Columbia Grey, Grill |
| Thread 1 - 110529 | DTM | DTM | DTM | DTM | DTM | DTM |
| Thread 2 - 008214 | | | | | | |
| Washer 1 - 002614 | Clear | Clear | Clear | Clear | Clear | Clear |
| Label 1 - 059200 | White, Columbia Grey, Compass Blue | White, Columbia Grey, Compass Blue | White, Columbia Grey, Compass Blue | White, Columbia Grey, Compass Blue | White, Columbia Grey, Compass Blue | White, Columbia Grey, Compass Blue |
| Label 2 - 006564 | White, Black | White, Black | White, Black | White, Black | White, Black | White, Black |
| Hangtag Package Part - 097038 | Artwork | Artwork | Artwork | Artwork | Artwork | Artwork |
| Hangtag Package Part - 126967 | | | | | | |
| Hangtag Package Part - 121612 | | | | | | |
| Packaging 3 - 980010 | | | | | | |
| Packaging 1 - 064194 | Stock | Stock | Stock | Stock | Stock | Stock |
| Packaging 2 - 980001 | | | | | | |

This is confidential and proprietary information of Columbia Sportswear Company. You agree that you will not disclose this information to any third party or use it for any purpose other than on behalf of Columbia. You have no right to use Columbia's name or any of its trademarks, trade names, copyrights, patents, designs or other intellectual property except as set forth in writing by Columbia.

Costing BOM

Line Slot: Ascender II HDD State: Production Season: F24
 Merchandise Division: Outerwear Merchandise Collection: Trail Product Class: Soft Shell Tops
 Designer: dmaguire Developer: wendall.nelson LO Developer: unassigned Sourcing Manager: melissa.gallagher
 Fit Engineer: alicehan

Design: F4MO209045 Sample LO: Production LO: India
 Style Material Style Style Description Pattern Base Size Size Scale Fit SMU Type
 WM5779 2090451 Ascender™ II Hooded Softshell Jacket L14M2016 M S - XXL Regular Color Add



| Colorway Number | Color Way | FOB Material | CIF Material | FOB Trim | CIF Trim | Allowance % | Total FOB | Total CIF |
|-----------------|-----------------|--------------|--------------|----------|----------|-------------|-----------|-----------|
| 010 | Black | 7.728 | 0.000 | 1.929 | 0.135 | 0.0 | 9.657 | 0.135 |
| 023 | City Grey | 7.728 | 0.000 | 1.929 | 0.135 | 0.0 | 9.657 | 0.135 |
| 257 | Delta | 7.728 | 0.000 | 1.929 | 0.135 | 0.0 | 9.657 | 0.135 |
| 397 | Stone Green | 7.728 | 0.000 | 1.929 | 0.135 | 0.0 | 9.657 | 0.135 |
| 464 | Collegiate Navy | 7.728 | 0.000 | 1.929 | 0.135 | 0.0 | 9.657 | 0.135 |
| 681 | Spice | 7.728 | 0.000 | 1.929 | 0.135 | 0.0 | 9.657 | 0.135 |

Costing BOM

| | | | | | | | |
|---------------------------------|-------------------------------|--|------------------|-------------------------------------|--------------------|-------------|--------------------|
| Line Slot: Ascender II HDD | | State: Production | | Season: F24 | | | |
| Merchandise Division: Outerwear | Merchandise Collection: Trail | Product Class: Soft Shell Tops | | | | | |
| Designer: dmaguire | Developer: wendall.nelson | LO Developer: unassigned | | Sourcing Manager: melissa.gallagher | | | |
| Fit Engineer: alicehan | | | | | | | |
| Design: F4MO209045 | Sample LO: | Production LO: India | | | | | |
| Style WM5779 | Material Style 2090451 | Style Description Ascender™ II Hooded Softshell Jacket | Pattern L14M2016 | Base Size M | Size Scale S - XXL | Fit Regular | SMU Type Color Add |



| Component | Material | Description | Fabric Width | Supplier | Locked | Country of Origin | Managin g Liaison Office | UoM | Target Cost | FOB Unit Cost | CIF Unit Cost | Usage | Wastage % | Total FOB | Total CIF |
|-----------|----------|--|--------------|--|--------|-------------------|--------------------------|-----|-------------|---------------|---------------|-------|-----------|-----------|--------------|
| Shell 1 | 121277 | PFC FREE Version of 032888 - Nexgen Contour Softshell | 55.0 | Jiaxing Deyong Textiles Co Ltd (JDT) | N | China | Taiwan- Taipei | yd | 4.5 | 4.38 | 0.0 | 1.580 | 3 | 7.128 | 0.000 |
| Shell 2 | 119358 | PFC Free Version of 064235 Nexgen Precision and Contour Softshell Face Only | 58.0 | Apex Textile Co. Ltd. | N | China | Taiwan- Taipei | yd | 0.0 | 1.94 | 0.0 | 0.200 | 5 | 0.407 | 0.000 |
| Lining 1 | 004476 | FOR POCKETING AND YOUTH STYLES ONLY Chamois Touch Tricot | 60.0 | Haren Textiles Pvt. Ltd. | Y | India | India | yd | 0.0 | 0.68 | 0.0 | 0.230 | 7 | 0.167 | 0.000 |

Costing BOM

| | | | | | | | |
|---------------------------------|-------------------------------|--|------------------|-------------------------------------|--------------------|-------------|--------------------|
| Line Slot: Ascender II HDD | | State: Production | | Season: F24 | | | |
| Merchandise Division: Outerwear | Merchandise Collection: Trail | Product Class: Soft Shell Tops | | Sourcing Manager: melissa.gallagher | | | |
| Designer: dmaguire | Developer: wendall.nelson | LO Developer: unassigned | | | | | |
| Fit Engineer: alicehan | | | | | | | |
| Design: F4MO209045 | Sample LO: | Production LO: India | | | | | |
| Style WM5779 | Material Style 2090451 | Style Description Ascender™ II Hooded Softshell Jacket | Pattern L14M2016 | Base Size M | Size Scale S - XXL | Fit Regular | SMU Type Color Add |



| Component | Material | Description | Fabric Width | Supplier | Locked | Country of Origin | Managing Liaison Office | UoM | Target Cost | FOB Unit Cost | CIF Unit Cost | Usage | Wastage % | Total FOB | Total CIF |
|---------------------|----------|--|--------------|---|--------|-------------------|-------------------------|-----|-------------|---------------|---------------|-------|-----------|-----------|-----------|
| Interfacing 1 | 011958 | Interlining Sew-In Non-Woven Lightweight Soft. Recycled version 110671 | 60.0 | PCC asia LLC | N | China | India | yd | 0.0 | 0.23 | 0.0 | 0.110 | 3 | 0.026 | 0.000 |
| Bead 1 | 011001 | 3mm (fits single dc size 3mm) Small Hard TPU Cordlock Stopper 1 clr CANNOT BE DONE IN CLEAR COLOR White color may have a yellowing issue | 0.0 | Unitex International Button Accessories Ltd | N | China | Portland | ea | 0.0 | 0.03505 | 0.0322 | 1.000 | 2.0 | 0.036 | 0.033 |
| Direct Embroidery 1 | 003472 | 76mm (A) Bug Columbia Logo embroidery 1 clr. Est st ct 1795 | 0.0 | Contractor | N | unassigned | Hong Kong | ea | 0.0 | 0.0 | 0.0 | 1.000 | 2.0 | 0.000 | 0.000 |

Costing BOM

| | | | | | | | |
|---------------------------------|-------------------------------|--|------------------|-------------------------------------|--------------------|-------------|--------------------|
| Line Slot: Ascender II HDD | | State: Production | | Season: F24 | | | |
| Merchandise Division: Outerwear | Merchandise Collection: Trail | Product Class: Soft Shell Tops | | | | | |
| Designer: dmaguire | Developer: wendall.nelson | LO Developer: unassigned | | Sourcing Manager: melissa.gallagher | | | |
| Fit Engineer: alicehan | | | | | | | |
| Design: F4MO209045 | Sample LO: | Production LO: India | | | | | |
| Style WM5779 | Material Style 2090451 | Style Description Ascender™ II Hooded Softshell Jacket | Pattern L14M2016 | Base Size M | Size Scale S - XXL | Fit Regular | SMU Type Color Add |



| Component | Material | Description | Fabric Width | Supplier | Locked | Country of Origin | Managing Liaison Office | UoM | Target Cost | FOB Unit Cost | CIF Unit Cost | Usage | Wastage % | Total FOB | Total CIF |
|--------------------------|----------|--|--------------|---|--------|-------------------|-------------------------|-----|-------------|---------------|---------------|-------|-----------|-----------|-----------|
| Drawcord-Cording-Laces 1 | 005952 | 2mm Stretch Strong Drawcord 1 clr | 0.0 | FGV - Shahi Exports Pvt. (SEP) Ltd. | Y | India | India | yd | 0.0 | 0.0614 | 0.0 | 1.371 | 7.0 | 0.090 | 0.000 |
| Drawcord-Cording-Laces 2 | 008166 | 1.5mm non stretch drawcord w/ticks 2 clr (ECO version use 082935) | 0.0 | FGV - Shahi Exports Pvt. (SEP) Ltd. | Y | India | India | yd | 0.0 | 0.0456 | 0.0 | 0.816 | 7.0 | 0.040 | 0.000 |
| Eyelets-Grommets 1 | 026906 | SAME AS 420024 6mm ID Metal Finish Eyelet 1 clr finish. Use 059588 for enamel DTM color. | 0.0 | Unitex International Button Accessories Ltd | N | China | Portland | set | 0.01 | 0.01285 | 0.0 | 1.000 | 3.0 | 0.013 | 0.000 |

Costing BOM

Line Slot: Ascender II HDD State: Production Season: F24
 Merchandise Division: Outerwear Merchandise Collection: Trail Product Class: Soft Shell Tops
 Designer: dmaguire Developer: wendall.nelson LO Developer: unassigned Sourcing Manager: melissa.gallagher
 Fit Engineer: alicehan

Design: F4MO209045 Sample LO: Production LO: India
 Style Material Style Style Description Pattern Base Size Size Scale Fit SMU Type
 WM5779 2090451 Ascender™ II L14M2016 M S - XXL Regular Color Add
 Hooded Softshell Jacket



| Component | Material | Description | Fabric Width | Supplier | Locked | Country of Origin | Managin g Liaison Office | UoM | Target Cost | FOB Unit Cost | CIF Unit Cost | Usage | Wastage % | Total FOB | Total CIF |
|--------------|----------|---|--------------|-----------------------|--------|-------------------|--------------------------|-----|-------------|---------------|---------------|-------|-----------|-----------|-----------|
| Hook 1 | 460003 | 3/4in (20mm) Linear Hook/ two side edge 1clr | 0.0 | Paiho Global | N | Taiwan | Taiwan-Taipei | yd | 0.0 | 0.153 | 0.0 | 0.114 | 5.0 | 0.018 | 0.000 |
| Hook 2 | 460003 | 3/4in (20mm) Linear Hook/ two side edge 1clr | 0.0 | Paiho Global | N | Taiwan | Taiwan-Taipei | yd | 0.0 | 0.153 | 0.0 | 0.059 | 5.0 | 0.009 | 0.000 |
| Label Logo 1 | 059197 | USE ONLY FOR ALL ADULTSIZES AND YOUTH S-XL 42mm x 8mm Lightweight Stripe woven ECO Hanger Loop DOWN 2 clr other colors w Director approval only | 0.0 | Avery Dennison Global | N | China | Portland | ea | 0.0 | 0.02823 | 0.0 | 1.000 | 5.0 | 0.030 | 0.000 |
| Loop 1 | 460004 | 3/4in (20mm) Linear Loop/two side edge 1clr | 0.0 | Paiho Global | N | Taiwan | Taiwan-Taipei | yd | 0.0 | 0.153 | 0.0 | 0.250 | 5.0 | 0.040 | 0.000 |

Costing BOM

Line Slot: Ascender II HDD State: Production Season: F24
 Merchandise Division: Outerwear Merchandise Collection: Trail Product Class: Soft Shell Tops
 Designer: dmaguire Developer: wendall.nelson LO Developer: unassigned Sourcing Manager: melissa.gallagher
 Fit Engineer: alicehan

Design: F4MO209045 Sample LO: Production LO: India
 Style Material Style Style Description Pattern Base Size Size Scale Fit SMU Type
 WM5779 2090451 Ascender™ II L14M2016 M S - XXL Regular Color Add
 Hooded Softshell Jacket



| Component | Material | Description | Fabric Width | Supplier | Locked | Country of Origin | Managin g Liaison Office | UoM | Target Cost | FOB Unit Cost | CIF Unit Cost | Usage | Wastage % | Total FOB | Total CIF |
|-----------|----------|--|--------------|---|--------|-------------------|--------------------------|-------|-------------|---------------|---------------|---------|-----------|-----------|-----------|
| Loop 2 | 460004 | 3/4in (20mm) Linear Loop/two side edge 1clr | 0.0 | Paiho Global | N | Taiwan | Taiwan-Taipei | yd | 0.0 | 0.153 | 0.0 | 0.097 | 5.0 | 0.016 | 0.000 |
| Thread 1 | 110529 | Coats Astra spun Polyester Tex 30 | 0.0 | Coats Global Thread | N | unassigne d | Portland | meter | 0.0 | 0.000631 | 0.0 | 75.000 | 5.0 | 0.050 | 0.000 |
| Thread 2 | 008214 | Coats ASTRA Spun Polyester Tex 27 40/2 | 0.0 | Coats Global Thread | N | unassigne d | Portland | meter | 0.0 | 0.0003 | 0.0 | 575.000 | 5.0 | 0.181 | 0.000 |
| Toggle 1 | 031940 | 4.5mm ID Toggle | 0.0 | Nifco Taiwan Corporation | N | Taiwan | Taiwan-Taipei | ea | 0.0 | 0.067 | 0.1 | 1.000 | 2.0 | 0.068 | 0.102 |
| Washer 1 | 002614 | Plastic Washer (Polyurethane) (use on all Snap Stud and Post or Eyelets if needed) Clear | 0.0 | Unitex International Button Accessories Ltd | N | China | Portland | ea | 0.0 | 0.00592 | 0.0 | 2.000 | 3.0 | 0.012 | 0.000 |

Costing BOM

| | | | | | | | |
|---------------------------------|-------------------------------|--|------------------|-------------------------------------|--------------------|-------------|--------------------|
| Line Slot: Ascender II HDD | | State: Production | | Season: F24 | | | |
| Merchandise Division: Outerwear | Merchandise Collection: Trail | Product Class: Soft Shell Tops | | | | | |
| Designer: dmaguire | Developer: wendall.nelson | LO Developer: unassigned | | Sourcing Manager: melissa.gallagher | | | |
| Fit Engineer: alicehan | | | | | | | |
| Design: F4MO209045 | Sample LO: | Production LO: India | | | | | |
| Style WM5779 | Material Style 2090451 | Style Description Ascender™ II Hooded Softshell Jacket | Pattern L14M2016 | Base Size M | Size Scale S - XXL | Fit Regular | SMU Type Color Add |



| Component | Material | Description | Fabric Width | Supplier | Locked | Country of Origin | Managing Liaison Office | UoM | Target Cost | FOB Unit Cost | CIF Unit Cost | Usage | Wastage % | Total FOB | Total CIF |
|--------------------|----------|---|--------------|--------------|--------|-------------------|-------------------------|-----|-------------|---------------|---------------|-------|-----------|-----------|-----------|
| Webbing and Tape 1 | 360027 | 3/8 in Grosgrain Tape Poly 1 clr | 0.0 | Paiho Global | N | Taiwan | Taiwan-Taipei | yd | 0.0 | 0.068 | 0.0 | 0.125 | 7.0 | 0.009 | 0.000 |
| Zipper 1 | 002673 | CNFOL-56 DA8BLH H3 P-TOP REVERSE OpenEnd Left-in AutoLk LargeHole AntSilver Sldr/Pl PlasticTopStop RevCoil CAN BE USED FOR CHILDREN Metal content | 0.0 | YKK Global | N | Taiwan | Portland | ea | 0.0 | 0.2824 | 0.0 | 1.000 | 1.0 | 0.423 | 0.000 |

Costing BOM

| | | | |
|---------------------------------|-------------------------------|--|-------------------------------------|
| Line Slot: Ascender II HDD | State: Production | Season: F24 | |
| Merchandise Division: Outerwear | Merchandise Collection: Trail | Product Class: Soft Shell Tops | |
| Designer: dmaguire | Developer: wendall.nelson | LO Developer: unassigned | Sourcing Manager: melissa.gallagher |
| Fit Engineer: alicehan | | | |
| Design: F4MO209045 | Sample LO: | Production LO: India | |
| Style WM5779 | Material Style 2090451 | Style Description Ascender™ II Hooded Softshell Jacket | Pattern L14M2016 |
| | | Base Size M | Size Scale S - XXL |
| | | Fit Regular | SMU Type Color Add |



| Component | Material | Description | Fabric Width | Supplier | Locked | Country of Origin | Managin g Liaison Office | UoM | Target Cost | FOB Unit Cost | CIF Unit Cost | Usage | Wastage % | Total FOB | Total CIF |
|-----------|----------|--|--------------|---------------|--------|-------------------|--------------------------|-----|-------------|---------------|---------------|-------|-----------|-----------|-----------|
| Zipper 2 | 003272 | CNFC-56 DA8BLH H3 T-B-0 REVERSE Clsd AutoLk LargeHole PI AntSil Sldr/PI NoStop RevCoil Metal content | 0.0 | YKK Global | N | Taiwan | Portland | ea | 0.0 | 0.202 | 0.0 | 2.000 | 1.0 | 0.473 | 0.000 |
| Zipper 3 | 003272 | CNFC-56 DA8BLH H3 T-B-0 REVERSE Clsd AutoLk LargeHole PI AntSil Sldr/PI NoStop RevCoil Metal content | 0.0 | YKK Global | N | Taiwan | Portland | ea | 0.0 | 0.202 | 0.0 | 1.000 | 1.0 | 0.227 | 0.000 |

Costing BOM

Line Slot: Ascender II HDD State: Production Season: F24
 Merchandise Division: Outerwear Merchandise Collection: Trail Product Class: Soft Shell Tops
 Designer: dmaguire Developer: wendall.nelson LO Developer: unassigned Sourcing Manager: melissa.gallagher
 Fit Engineer: alicehan

Design: F4MO209045 Sample LO: Production LO: India
 Style: Material Style Style Description Pattern Base Size Size Scale Fit SMU Type
 WM5779 2090451 Ascender™ II Hooded Softshell Jacket L14M2016 M S - XXL Regular Color Add



| Component | Material | Description | Fabric Width | Supplier | Locked | Country of Origin | Managing Liaison Office | UoM | Target Cost | FOB Unit Cost | CIF Unit Cost | Usage | Wastage % | Total FOB | Total CIF |
|-----------|----------|---|--------------|-----------------------|--------|-------------------|-------------------------|-----|-------------|---------------|---------------|-------|-----------|-----------|-----------|
| Label 1 | 059200 | 40mm CSC International Size Extended Woven ECO Loop Label for use with Hanger Loop | 0.0 | Avery Dennison Global | N | China | Portland | ea | 0.0 | 0.05956 | 0.0 | 1.000 | 3.0 | 0.061 | 0.000 |
| Label 2 | 006564 | 33mm Care Content ECO Booklet Fold label with fully translated country of origin WHT/BLK for most, BLK/WHT for Titanium only, GRY/BLK is for Garment DYE ONLY | 0.0 | Avery Dennison Global | N | China | Portland | ea | 0.0 | 0.01905 | 0.0 | 1.000 | 3.0 | 0.020 | 0.000 |

Costing BOM

Line Slot: Ascender II HDD State: Production Season: F24
 Merchandise Division: Outerwear Merchandise Collection: Trail Product Class: Soft Shell Tops
 Designer: dmaguire Developer: wendall.nelson LO Developer: unassigned Sourcing Manager: melissa.gallagher
 Fit Engineer: alicehan

Design: F4MO209045 Sample LO: Production LO: India
 Style Material Style Style Description Pattern Base Size Size Scale Fit SMU Type
 WM5779 2090451 Ascender™ II L14M2016 M S - XXL Regular Color Add
 Hooded Softshell Jacket



| Component | Material | Description | Fabric Width | Supplier | Locked | Country of Origin | Managin g Liaison Office | UoM | Target Cost | FOB Unit Cost | CIF Unit Cost | Usage | Wastage % | Total FOB | Total CIF |
|----------------------|----------|---|--------------|-------------------------|--------|-------------------|--------------------------|-----|-------------|---------------|---------------|-------|-----------|-----------|-----------|
| Hangtag Package Part | 097038 | Columbia Omni-Shield Hangtag | 0.0 | Hang Sang Press Co. Ltd | N | unassigne d | Portland | ea | 0.0 | 0.0273 | 0.0 | 1.000 | 0.0 | 0.027 | 0.000 |
| Hangtag Package Part | 126967 | Regular Fit Swing Tag | 0.0 | Hang Sang Press Co. Ltd | N | unassigne d | Portland | ea | 0.0 | 0.023 | 0.0 | 1.000 | 0.0 | 0.023 | 0.000 |
| Hangtag Package Part | 121612 | MSRP/UPC with RFID Specs for MSRP. Please refer to VAS specs for any exceptions. MSRP required on all product shipping to the US. | 0.0 | Avery Dennison Global | N | unassigne d | Portland | ea | 0.0 | 0.04875 | 0.0 | 1.000 | 0.0 | 0.049 | 0.000 |
| Packaging 1 | 064194 | Outer Carton for costing purpose only | 0.0 | Contracto r | N | unassigne d | Hong Kong | ea | 0.0 | 0.0 | 0.0 | 1.000 | 3.0 | 0.000 | 0.000 |

Costing BOM

Line Slot: Ascender II HDD State: Production Season: F24
 Merchandise Division: Outerwear Merchandise Collection: Trail Product Class: Soft Shell Tops
 Designer: dmaguire Developer: wendall.nelson LO Developer: unassigned Sourcing Manager: melissa.gallagher
 Fit Engineer: alicehan

Design: F4MO209045 Sample LO: Production LO: India
 Style Material Style Style Description Pattern Base Size Size Scale Fit SMU Type
 WM5779 2090451 Ascender™ II L14M2016 M S - XXL Regular Color Add
 Hooded Softshell Jacket



| Component | Material | Description | Fabric Width | Supplier | Locked | Country of Origin | Managing Liaison Office | UoM | Target Cost | FOB Unit Cost | CIF Unit Cost | Usage | Wastage % | Total FOB | Total CIF |
|-------------|----------|--|--------------|-----------------------|--------|-------------------|-------------------------|-----|-------------|---------------|---------------|-------|-----------|-----------|-----------|
| Packaging 2 | 980001 | Polybag See Standard CCS 4200 for specifications | 0.0 | Contractor | N | unassigned | Hong Kong | ea | 0.0 | 0.0 | 0.0 | 1.000 | 3.0 | 0.000 | 0.000 |
| Packaging 3 | 980010 | UPC Bag Sticker Generic (MHW/Columbia) See CCS4400/4401 and MHW4402 for Mt Hardware for instructions | 0.0 | Avery Dennison Global | Y | China | Portland | ea | 0.0 | 0.01323 | 0.0 | 1.000 | 5.0 | 0.014 | 0.000 |

Costing BOM

| | | | | | | | |
|---------------------------------|----------------|--------------------------------------|----------|-------------------------------------|------------|---------|-----------|
| Line Slot: Ascender II HDD | | State: Production | | Season: F24 | | | |
| Merchandise Division: Outerwear | | Merchandise Collection: Trail | | Product Class: Soft Shell Tops | | | |
| Designer: dmaguire | | Developer: wendall.nelson | | LO Developer: unassigned | | | |
| Fit Engineer: alicehan | | | | Sourcing Manager: melissa.gallagher | | | |
| Design: | F4MO209045 | Sample LO: | | Production LO: | India | | |
| Style | Material Style | Style Description | Pattern | Base Size | Size Scale | Fit | SMU Type |
| WM5779 | 2090451 | Ascender™ II Hooded Softshell Jacket | L14M2016 | M | S - XXL | Regular | Color Add |



This is confidential and proprietary information of Columbia Sportswear Company. You agree that you will not disclose this information to any third party or use it for any purpose other than on behalf of Columbia. You have no right to use Columbia's name or any of its trademarks, trade names, copyrights, patents, designs or other intellectual property except as set forth in writing by Columbia.

Care Report

| | | | | | | | |
|---------------------------------|-------------------------------|--|------------------|-------------|--------------------|-------------|--------------------|
| Line Slot: Ascender II HDD | State: Production | Season: F24 | | | | | |
| Merchandise Division: Outerwear | Merchandise Collection: Trail | Product Class: Soft Shell Tops | | | | | |
| Designer: dmaquire | Developer: wendall.nelson | LO Developer: unassigned | | | | | |
| Fit Engineer: alicehan | | Sourcing Manager: melissa.gallagher | | | | | |
| Design: F4MO209045 | Sample LO: | Production LO: India | | | | | |
| Style WM5779 | Material Style 2090451 | Style Description Ascender™ II Hooded Softshell Jacket | Pattern L14M2016 | Base Size M | Size Scale S - XXL | Fit Regular | SMU Type Color Add |



| Care Code: 2012 | | Color Way Number | Color Way Name |
|-------------------------------|---|------------------|-----------------|
| English | Machine Wash Cold, Wash Separately, Do Not Bleach, Tumble Dry Low, Do Not Iron, Do Not Use Fabric Softener, Do Not Dryclean | | |
| French | Lavage machine à froid, Laver séparément, Ne pas utiliser d'eau de javel, Séchage machine, basse température, Ne pas repasser, Ne pas utiliser d'assouplissant, Nettoyage à sec interdit | 010 | Black |
| | | 023 | City Grey |
| German | Maschinenwäsche kalt, Separat waschen, Keine Bleichmittel verwenden, Trocknen im Wäschetrockner bei niedriger Temperatur, Nicht bügeln, Keine Weichspüler verwenden, Nicht chemisch reinigen | 397 | Stone Green |
| Portuguese | Lavar à maquina com água fria, Lavar separadamente, Não alvejar, Secar à máquina em temperatura baixa, Não passar a ferro, Não usar amaciante, Não utilizar limpeza a seco | 464 | Collegiate Navy |
| Spanish | Lavar a máquina con agua fría, Lavar por separado, No usar lejía, Usar secadora a temperatura baja, No planchar, No usar suavizante de telas, No lavar en seco | 681 | Spice |
| Italian | Lavare in lavatrice in acqua fredda, Lavare separatamente, Non candeggiare, Asciugare a tamburo a bassa temperatura, Non stirare, Non utilizzare ammorbidente, Non lavare a secco | | |
| Russian | Машинная стирка в холодной воде, Стирать отдельно, Не отбеливать, Сушить при низкой температуре, Не гладить, Не использовать кондиционер для тканей, Химчистка запрещена | | |
| Czech Republican | Praní v pračce při nízké teplotě, Prát samostatně, Nebělit, Sušení v sušičce, nízká teplota, Nežehlit, Nepoužívat aviváž, Nečistit chemicky | | |
| Hebrew | כביסה במכונה במים קרים, לכבס בנפרד, לא להלבין, לייבש במיבש כביסה בחום נמוך, לא לגהץ, לא להשתמש במרכך כביסה, לא לנקות בניקוי יבש | | |
| Hungarian | Géppel mossa, hideg vízzel, Különválasztva mossa, Ne használjon fehérítőt, Szárítógépben alacsony hőfokon szárítsa, Ne vasalja, Ne használjon öblítőszer, Ne vegytisztítsa | | |
| Polish | Prac w temperaturze nie przekraczającej 30°C, Prac oddzielnie, Nie chlorować, Można suszyć bębnowo, niska temperatura, Nie prasować, Nie używać zmiękczacza do tkanin, Nie czyścić chemicznie | | |
| Portuguese Brazil | Lavar à maquina com água fria, Lavar separadamente, Não alvejar, Secar em tambor rotativo em temperatura baixa, Não passar a ferro, Não usar amaciante, Não utilizar limpeza a seco | | |
| Slovakian | Perte v pračke v studenej vode, Perte oddelene, Neodfarbuje, Sušte v bubnovej sušičke pri nízkych otáčkach, Nežehlite, Nepoužívajte avivážne prípravky, Nečistite chemicky | | |
| Slovenian | Mrzlo strojno pranje, Prati posebej, Ne belite, Nizko strojno sušenje, Ne likati, Ne uporabljati mehčalca, Ne suho čistiti | | |
| Spanish Latin American | Lavar a máquina con agua fría, Lavar por separado, No usar blanqueador, Usar secadora a temperatura baja, No planchar, No usar suavizante de telas, No lavar en seco | | |
| Turkish | Makinada Yıkanır, Soğuk, Ayrı Yıkayın, Ağartıcı Kullanmayın, Tambur Kurutma, Düşük, Ütölemeyin, Çamaşır Yumuşatıcısı Kullanmayın, Kuru Temizleme Yapmayın | | |
| Chinese Simplified | 冷水机洗, 分开洗涤, 请勿漂白, 低温滚筒烘干, 请勿熨烫, 请勿使用织物柔软剂, 请勿干洗 | | |
| Chinese Traditional | 冷水機洗, 分開洗滌, 請勿漂白, 低溫滾筒烘乾, 請勿熨燙, 請勿使用織物柔軟劑, 請勿乾洗 | | |
| Japanese | 洗濯機水洗い, 個別に洗濯してください, 漂白剤使用不可, 乾燥機使用可 (低温), アイロン使用不可, 柔軟剤の使用不可, ドライクリーニング不可 | | |
| Korean | 가, 가, 가, | | |
| Danish | Kold maskinvask, Vask separat, Må ikke afbleges, Tør i tørretumbler, lav, Brug ikke strygejern, Brug ikke skyllemiddel, Må ikke renses kemisk | | |
| Norwegian | Maskinvask kald, Vaskes separat, Må ikke blekes, Tørketrommel, lav, Skal ikke strykes, Ikke bruk tøymykner, Skal ikke renses | | |
| Swedish | Maskintvättas kallt, Tvättas separat, Får inte blekas, Torktumlas på låg nivå, Får inte strykas, Sköljmedel får inte användas, Kemtvättas inte | | |
| Dutch | Koud wassen in wasmachine, Apart wassen, Niet bleken, In droger op laag, Niet strijken, Geen wasverzachter gebruiken, Niet laten stomen | | |

Care Report

| | | |
|---------------------------------|-------------------------------|---|
| Line Slot: Ascender II HDD | State: Production | Season: F24 |
| Merchandise Division: Outerwear | Merchandise Collection: Trail | Product Class: Soft Shell Tops |
| Designer: dmaguire | Developer: wendall.nelson | LO Developer: unassigned |
| Fit Engineer: alicehan | | Sourcing Manager: melissa.gallagher |
| Design: F4MO209045 | Sample LO: | Production LO: India |
| Style: WM5779 | Material Style: 2090451 | Style Description: Ascender™ II Hooded Softshell Jacket |
| Pattern: L14M2016 | Base Size: M | Size Scale: S - XXL |
| | Fit: Regular | SMU Type: Color Add |



French Canadian

Laver à la machine à l'eau froide, Laver séparément, Ne pas utiliser d'agent de blanchiment, Séchage par culbutage à basse température, Ne pas repasser, Ne pas utiliser d'assouplisseur, Ne pas nettoyer à sec



Content Report

| | | | | | | | |
|---------------------------------|-------------------------------|---|-------------------|--------------|---------------------|--------------|---------------------|
| Line Slot: Ascender II HDD | State: Production | Season: F24 | | | | | |
| Merchandise Division: Outerwear | Merchandise Collection: Trail | Product Class: Soft Shell Tops | | | | | |
| Designer: dmaguire | Developer: wendall.nelson | LO Developer: unassigned | | | | | |
| Fit Engineer: alicehan | | Sourcing Manager: melissa.gallagher | | | | | |
| Design: F4MO209045 | Sample LO: | Production LO: India | | | | | |
| Style: WM5779 | Material Style: 2090451 | Style Description: Ascender™ II Hooded Softshell Jacket | Pattern: L14M2016 | Base Size: M | Size Scale: S - XXL | Fit: Regular | SMU Type: Color Add |



| CONTENT CODE: AIO | | Color Way Number | Color Way Name |
|--|---|------------------|-----------------|
| Shell Face: 100% Polyester | | | |
| Shell Back: 100% Polyester Exclusive of Trimming | | | |
| FRENCH | Tissu de la partie avant: 100% Polyester Tissu de la partie arrière: 100% Polyester Sauf les bordures | 681 | Spice |
| GERMAN | Außenhülle Vorderteil: 100% Polyester Rückenteil Außenhülle Rückenteil: 100% Polyester Ohne Besatz | 023 | City Grey |
| PORTUGUESE | Exterior anterior: 100% Poliéster Exterior posterior: 100% Poliéster Sem orlas | 397 | Stone Green |
| SPANISH | Parte delantera de la cubierta: 100% Poliéster Parte posterior de la cubierta: 100% Poliéster Exclusivo de los ribetes | 464 | Collegiate Navy |
| ITALIAN | Parte anteriore guscio: 100% Poliestere Parte posteriore guscio: 100% Poliestere Ad eccezione dei bordini | 010 | Black |
| RUSSIAN | Оболочка, лицо: 100% Полиэфир Оболочка, изнанка: 100% Полиэфир Без дополнительных деталей | | |
| CZECH REPUBLICAN | Přední dík skořepiny: 100% Polyester Zadní díl skořepiny: 100% Polyester Bez nášivek | | |
| HEBREW | חזית המעטפת: 100% פוליאסטר גב המעטפת: 100% פוליאסטר ללא קישוט | | |
| HUNGARIAN | Külső elöl: 100% Poliészter Külső hátul: 100% Poliészter Szegélydíszen kívül | | |
| POLISH | Wierzch powłoki: 100% Poliester Spód powłoki: 100% Poliester Wylęczając naszywki | | |
| PORTUGUESE BRAZIL | Exterior anterior: 100% Poliéster Exterior posterior: 100% Poliéster Sem adornos | | |
| SLOVAKIAN | Plášť, predná časť: 100% Polyester Plášť, zadná časť: 100% Polyester Okrem lemovania | | |
| SLOVENIAN | Lice lupine: 100% Poliester Hrbet lupine: 100% Poliester Brez obrezovanja | | |
| SPANISH LATIN AMERICAN | Parte delantera de la cubierta: 100% Poliéster Parte posterior de la cubierta: 100% Poliéster Exclusivo de los ribetes | | |
| TURKISH | Kabuk Ön: 100% Polyester Kabuk Arka: 100% Polyester Süsler Hariç | | |

Content Report

| | | | | | | | |
|---------------------------------|-------------------------------|--------------------------------------|----------|-------------------------------------|------------|---------|-----------|
| Line Slot: Ascender II HDD | | State: Production | | Season: F24 | | | |
| Merchandise Division: Outerwear | Merchandise Collection: Trail | Product Class: Soft Shell Tops | | | | | |
| Designer: dmaguire | Developer: wendall.nelson | LO Developer: unassigned | | Sourcing Manager: melissa.gallagher | | | |
| Fit Engineer: alicehan | | | | | | | |
| Design: | F4MO209045 | Sample LO: | | | | | |
| Style | Material Style | Style Description | Pattern | Production LO: | India | | |
| WM5779 | 2090451 | Ascender™ II Hooded Softshell Jacket | L14M2016 | Base Size | Size Scale | Fit | SMU Type |
| | | | | M | S - XXL | Regular | Color Add |



| | | |
|----------------------------|-----------------------------|-------------------------------------|
| CHINESE SIMPLIFIED | 外壳正面: | 100% 聚酯 |
| | 外壳背面: | 100% 聚酯 不包括装饰品 |
| CHINESE TRADITIONAL | 外壳正面: | 100% 聚酯 |
| | 外壳背面: | 100% 聚酯 不包括装饰品 |
| JAPANESE | シェル表: | 100% ポリエステル |
| | シェル裏: | 100% ポリエステル 装飾品を除く |
| KOREAN | : | 100% |
| | : | 100% |
| DANISH | Forside af skal: | 100% Polyester |
| | Bagside af skal: | 100% Polyester Inkluderer ikke kant |
| NORWEGIAN | Skall forside: | 100% Polyester |
| | Skall rygg: | 100% Polyester Eksklusiv trimming |
| SWEDISH | Ytterdel främre: | 100% Polyester |
| | Ytterdel bakre: | 100% Polyester Utan trimming |
| DUTCH | Schelp-voorkant: | 100% Polyester |
| | Schelp-achterkant: | 100% Polyester Exclusief trimmen |
| FRENCH CANADIAN | Tissu de la partie avant: | 100% Polyester |
| | Tissu de la partie arrière: | 100% Polyester Exclut les bordures |

Pattern Piece Detail



| | | | | | | | |
|---------------------------------|-------------------------------|--------------------------------------|----------------|-------------------------------------|------------|---------|-----------|
| Line Slot: Ascender II HDD | | State: Production | | Season: F24 | | | |
| Merchandise Division: Outerwear | Merchandise Collection: Trail | Product Class: Soft Shell Tops | | | | | |
| Designer: dmaguire | Developer: wendall.nelson | LO Developer: unassigned | | Sourcing Manager: melissa.gallagher | | | |
| Fit Engineer: alicehan | | | | | | | |
| Design: | F4MO20904 5 | Sample LO: | Production LO: | India | | | |
| Style | Material Style | Style Description | Pattern | Base Size | Size Scale | Fit | SMU Type |
| WM5779 | 2090451 | Ascender™ II Hooded Softshell Jacket | L14M2016 | M | S - XXL | Regular | Color Add |

L14M2016 -

| Component | Quantity | Long Description | Abbreviation | Code |
|-----------|----------|------------------|--------------|------|
|-----------|----------|------------------|--------------|------|

This is confidential and proprietary information of Columbia Sportswear Company. You agree that you will not disclose this information to any third party or use it for any purpose other than on behalf of Columbia. You have no right to use Columbia's name or any of its trademarks, trade names, copyrights, patents, designs or other intellectual property except as set forth in writing by Columbia.

Measurements

| | | | | | | | |
|---------------------------------|-------------------------------|---|-------------------|-------------------------------------|---------------------|--------------|---------------------|
| Line Slot: Ascender II HDD | | State: Production | | Season: F24 | | | |
| Merchandise Division: Outerwear | Merchandise Collection: Trail | Product Class: Soft Shell Tops | | | | | |
| Designer: dmaguire | Developer: wendall.nelson | LO Developer: unassigned | | Sourcing Manager: melissa.gallagher | | | |
| Fit Engineer: alicehan | | | | | | | |
| Design: F4MO209045 | Sample LO: | Production LO: India | | | | | |
| Style: WM5779 | Material Style: 2090451 | Style Description: Ascender™ II Hooded Softshell Jacket | Pattern: L14M2016 | Base Size: M | Size Scale: S - XXL | Fit: Regular | SMU Type: Color Add |



| Sort Order | Use | Type | Placement | (+/-) | S | M | L | XL | XXL | |
|---|---|------|-----------------|-------|-------|--------|--------------|--------|-------|--------|
| Grade Rule: OW Mens Top XXS-6XL (M) - Block: null | | | | | | | | | | |
| 345.0 | CHEST (1 inch blw armhole) | QC | Graded | | 1.0 | 43.0 | 46.0 | 50.0 | 54.0 | 58.0 |
| 355.0 | WAIST (RELAXED) | QC | Graded | | 1.0 | 41.0 | 44.0 | 48.0 | 52.0 | 56.0 |
| 364.0 | WAIST POSITION (DWN FRM CB) | QC | Varies By Style | | 0.0 | 18.25 | 18.5 | 18.75 | 19.0 | 19.25 |
| 369.0 | SWEEP (RELAXED) | QC | Graded | | 1.0 | 41.0 | 44.0 | 48.0 | 52.0 | 56.0 |
| 375.0 | SHOULDER WIDTH (NATURAL SHOULDER) | QC | Graded | | 0.5 | 17.0 | 18.0 | 19.5 | 21.0 | 22.5 |
| 378.0 | SLEEVE LENGTH (CB) | QC | Graded | | 0.625 | 34.0 | 35.0 | 36.0 | 37.0 | 38.0 |
| 381.0 | SLEEVE WIDTH (1 inch blw armhole) | QC | Graded | | 0.5 | 18.0 | 18.5 | 19.0 | 19.5 | 20.0 |
| 399.0 | CUFF (RELAXED) | QC | Graded | | 0.25 | 10.5 | 10.75 | 11.0 | 11.25 | 11.5 |
| 439.0 | CENTER BACK LENGTH (1in GROUP GRADE) | QC | Graded | | 0.5 | 27.5 | 27.5 | 28.5 | 28.5 | 29.5 |
| 478.0 | NECK CIRCUMFERENCE | QC | Graded | | 0.25 | 19.75 | 20.75 | 21.75 | 22.75 | 23.75 |
| 509.0 | HOOD HEIGHT | QC | Graded | | 0.25 | 13.75 | 14.0 | 14.25 | 14.5 | 14.75 |
| 510.0 | HOOD WIDTH(HALF MEAS) | QC | Graded | | 0.25 | 9.75 | 10.0 | 10.25 | 10.5 | 10.75 |
| 513.0 | HOOD TIP HEIGHT | | Graded | | 0.125 | 3.5 | 3.5 | 3.5 | 3.5 | 3.5 |
| 2822.0 | ELBOW WIDTH - circumference - at mid point of under sleeve seam | QC | Varies By Style | | 0.25 | 14.375 | 14.75 | 15.125 | 15.5 | 15.875 |
| 6802.0 | FINISHED ZIPPER LENGTH - chest pocket opening | | Varies By Style | | 0.0 | 6.5 | 6.5 | 7.0 | 7.0 | 7.5 |
| 6830.0 | FINISHED ZIPPER LENGTH - lower front pocket opening | | Varies By Style | | 0.0 | 8.0 | 8.0 | 8.5 | 8.5 | 9.0 |

Measurements

| | | |
|---------------------------------|-------------------------------|--------------------------------------|
| Line Slot: Ascender II HDD | State: Production | Season: F24 |
| Merchandise Division: Outerwear | Merchandise Collection: Trail | Product Class: Soft Shell Tops |
| Designer: dmaguire | Developer: wendall.nelson | LO Developer: unassigned |
| Fit Engineer: alicehan | | Sourcing Manager: melissa.gallagher |
| Design: F4MO209045 | Sample LO: | Production LO: India |
| Style Material Style | Style Description | Pattern |
| WM5779 | 2090451 | Ascender™ II Hooded Softshell Jacket |
| | Base Size | Size Scale |
| | M | S - XXL |
| | Fit | SMU Type |
| | Regular | Color Add |



| Sort Order | | Use | Type | Placement | (+/-) | S | M | L | XL | XXL |
|------------|--------------------------|-----|-----------|-----------|-------|------|-------------|------|------|------|
| 930.0 | Drawcord-Cording-Laces 1 | | Component | | 0.0 | 45.0 | 48.0 | 52.0 | 56.0 | 60.0 |
| 960.0 | Drawcord-Cording-Laces 2 | | Component | | 0.0 | 7.0 | 7.0 | 7.0 | 7.0 | 7.0 |
| 1850.0 | Hook 1 | | Component | | 0.0 | 2.0 | 2.0 | 2.0 | 2.0 | 2.0 |
| 1860.0 | Hook 2 | | Component | | 0.0 | 2.0 | 2.0 | 2.0 | 2.0 | 2.0 |
| 2190.0 | Loop 1 | | Component | | 0.0 | 4.5 | 4.5 | 4.5 | 4.5 | 4.5 |
| 2200.0 | Loop 2 | | Component | | 0.0 | 3.5 | 3.5 | 3.5 | 3.5 | 3.5 |
| 3190.0 | Webbing and Tape 1 | | Component | | 0.0 | 2.25 | 2.25 | 2.25 | 2.25 | 2.25 |
| 3670.0 | Zipper 1 | | Component | | 0.0 | 28.0 | 28.0 | 29.0 | 29.0 | 30.0 |
| 3690.0 | Zipper 2 | | Component | | 0.0 | 9.0 | 9.0 | 9.5 | 9.5 | 10.0 |
| 3710.0 | Zipper 3 | | Component | | 0.0 | 7.5 | 7.5 | 8.0 | 8.0 | 8.5 |

This is confidential and proprietary information of Columbia Sportswear Company. You agree that you will not disclose this information to any third party or use it for any purpose other than on behalf of Columbia. You have no right to use Columbia's name or any of its trademarks, trade names, copyrights, patents, designs or other intellectual property except as set forth in writing by Columbia.

Sales Sample Comments - WM5779

Line Slot: Ascender II HDD State: Production Season: F24
 Designer: dmaguire Developer: wendall.nelson LO Developer: unassigned Sourcing Manager: melissa.gallagher

| Style | Material Style | Style Description | Design | Pattern | Base Size | Size Scale | Sample LO | Production LO |
|--------|----------------|--------------------------------------|------------|----------|-----------|------------|-----------|---------------|
| WM5779 | 2090451 | Ascender™ II Hooded Softshell Jacket | F4MO209045 | L14M2016 | M | S - XXL | | India |



Report #: 0000061123 Office: India Factory Code: SEP Factory Name: SHAHI EXPORTS PVT. LTD.
 Sample Sizes: M Estimated First Buy Date: Factory Country of Origin: India
 Comments: CC 010/023/464/681

MEASUREMENT CHART - SIZE M

| Point of Measure | Use | Type | (+/-) | Requested | LO Actual | Difference | QA Actual | Difference |
|---|-----|-----------------|-------|-----------|-----------|------------|-----------|------------|
| ELBOW WIDTH - circumference - at mid point of under sleeve seam | QC | Varies By Style | 0.25 | 14.75 | | | | |
| CHEST (1 inch blw armhole) | QC | Graded | 1.0 | 46.0 | | | | |
| WAIST (RELAXED) | QC | Graded | 1.0 | 44.0 | | | | |
| WAIST POSITION (DWN FRM CB) | QC | Varies By Style | 0.0 | 18.5 | | | | |
| SWEEP (RELAXED) | QC | Graded | 1.0 | 44.0 | | | | |
| SHOULDER WIDTH (NATURAL SHOULDER) | QC | Graded | 0.5 | 18.0 | | | | |
| SLEEVE LENGTH (CB) | QC | Graded | 0.625 | 35.0 | | | | |
| SLEEVE WIDTH (1 inch blw armhole) | QC | Graded | 0.5 | 18.5 | | | | |
| CUFF (RELAXED) | QC | Graded | 0.25 | 10.75 | | | | |
| CENTER BACK LENGTH (1in GROUP GRADE) | QC | Graded | 0.5 | 27.5 | | | | |
| NECK CIRCUMFERENCE | QC | Graded | 0.25 | 20.75 | | | | |
| HOOD HEIGHT | QC | Graded | 0.25 | 14.0 | | | | |
| HOOD WIDTH(HALF MEAS) | QC | Graded | 0.25 | 10.0 | | | | |

Liaison Office Comments ravi 9/20/2023 12:56:11 AM

Fabric

No comments

Trims

No comments

Sales Sample Comments - WM5779

Line Slot: Ascender II HDD

State: Production

Season: F24

Designer: dmaguire

Developer: wendall.nelson

LO Developer: unassigned

Sourcing Manager: melissa.gallagher



| Style | Material Style | Style Description | Design | Pattern | Base Size | Size Scale | Sample LO | Production LO |
|--------|----------------|--------------------------------------|------------|----------|-----------|------------|-----------|---------------|
| WM5779 | 2090451 | Ascender™ II Hooded Softshell Jacket | F4MO209045 | L14M2016 | M | S - XXL | | India |

Report #: 0000061123

Office: India

Factory Code: SEP

Factory Name: SHAHI EXPORTS PVT. LTD.

Sample Sizes: M

Estimated First Buy Date:

Factory Country of Origin: India

Comments: CC 010/023/464/681

Embellishment

No comments

Garment dye/Wash

N/A

Measurement

Within Tolerance

Construction

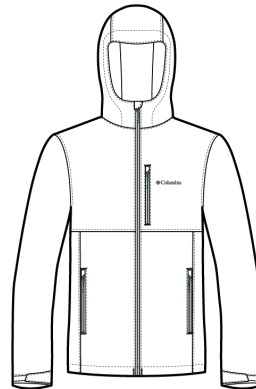
No comments

Product Developer Comments

This is confidential and proprietary information of Columbia Sportswear Company. You agree that you will not disclose this information to any third party or use it for any purpose other than on behalf of Columbia. You have no right to use Columbia's name or any of its trademarks, trade names, copyrights, patents, designs or other intellectual property except as set forth in writing by Columbia.

Thumbnail

| | | |
|---------------------------------|-------------------------------|---|
| Line Slot: Ascender II HDD | State: Production | Season: F24 |
| Merchandise Division: Outerwear | Merchandise Collection: Trail | Product Class: Soft Shell Tops |
| Designer: dmaguire | Developer: wendall.nelson | LO Developer: unassigned |
| Fit Engineer: alicehan | | Sourcing Manager: melissa.gallagher |
| Design: F4MO209045 | Sample LO: | Production LO: India |
| Style: WM5779 | Material Style: 2090451 | Style Description: Ascender™ II Hooded Softshell Jacket |
| | Pattern: L14M2016 | Base Size: M |
| | | Size Scale: S - XXL |
| | | Fit: Regular |
| | | SMU Type: Color Add |



This is confidential and proprietary information of Columbia Sportswear Company. You agree that you will not disclose this information to any third party or use it for any purpose other than on behalf of Columbia. You have no right to use Columbia's name or any of its trademarks, trade names, copyrights, patents, designs or other intellectual property except as set forth in writing by Columbia.

209045 ASCENDER II HDD

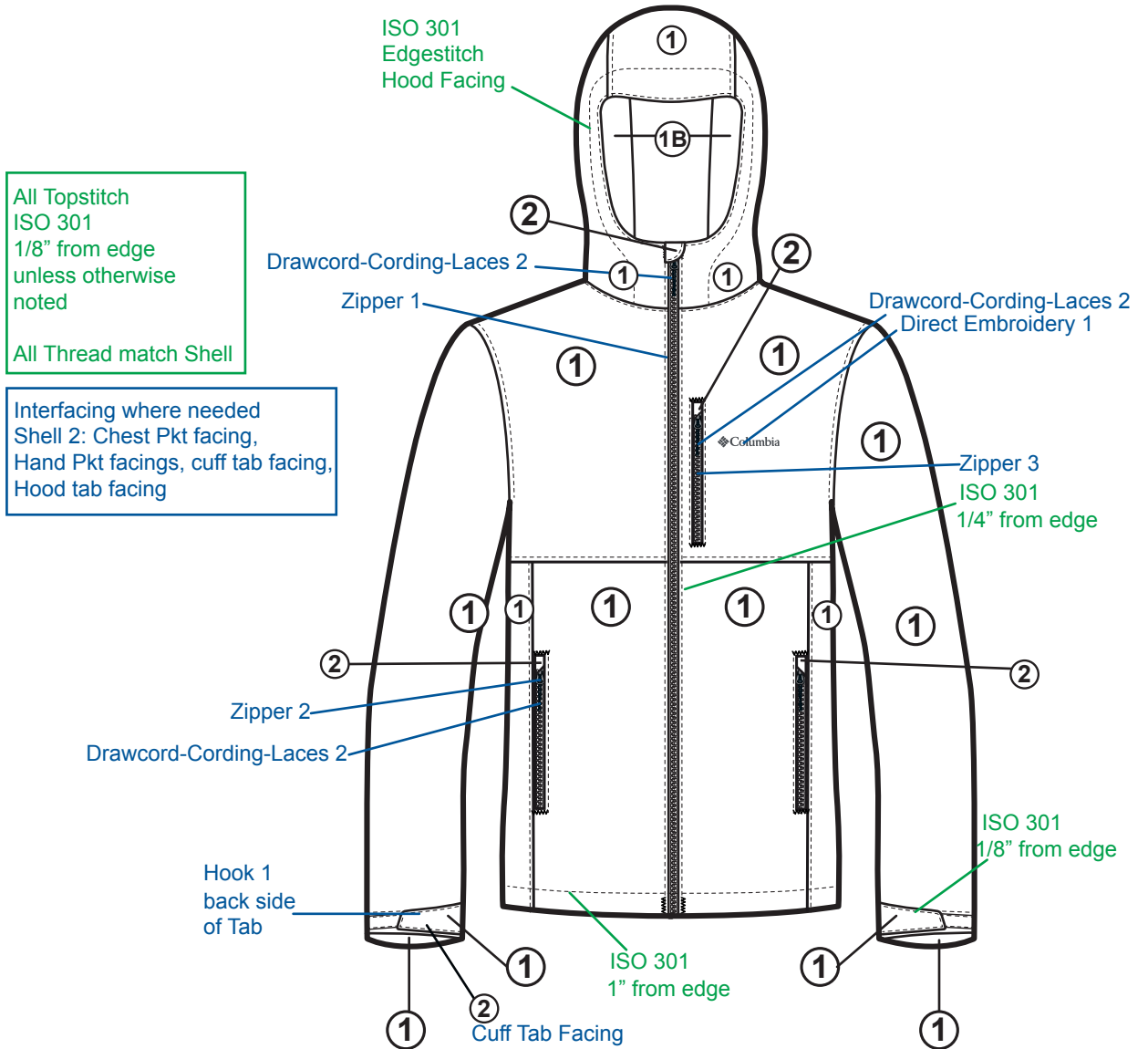
Technical

Line Slot: Ascender II HDD State: Production Season: F24
 Merchandise Division: Outerwear Merchandise Collection: Trail Product Class: Soft Shell Tops
 Designer: dmaguire Developer: wendall.nelson LO Developer: unassigned Sourcing Manager: melissa.gallagher
 Fit Engineer: alicehan

Design: F4MO20904 Sample LO: Production LO: India
 5
 Style Material Style Style Description Pattern Base Size Size Scale Fit SMU Type
 WM5779 2090451 Ascender™ II L14M2016 M S - XXL Regular Color Add



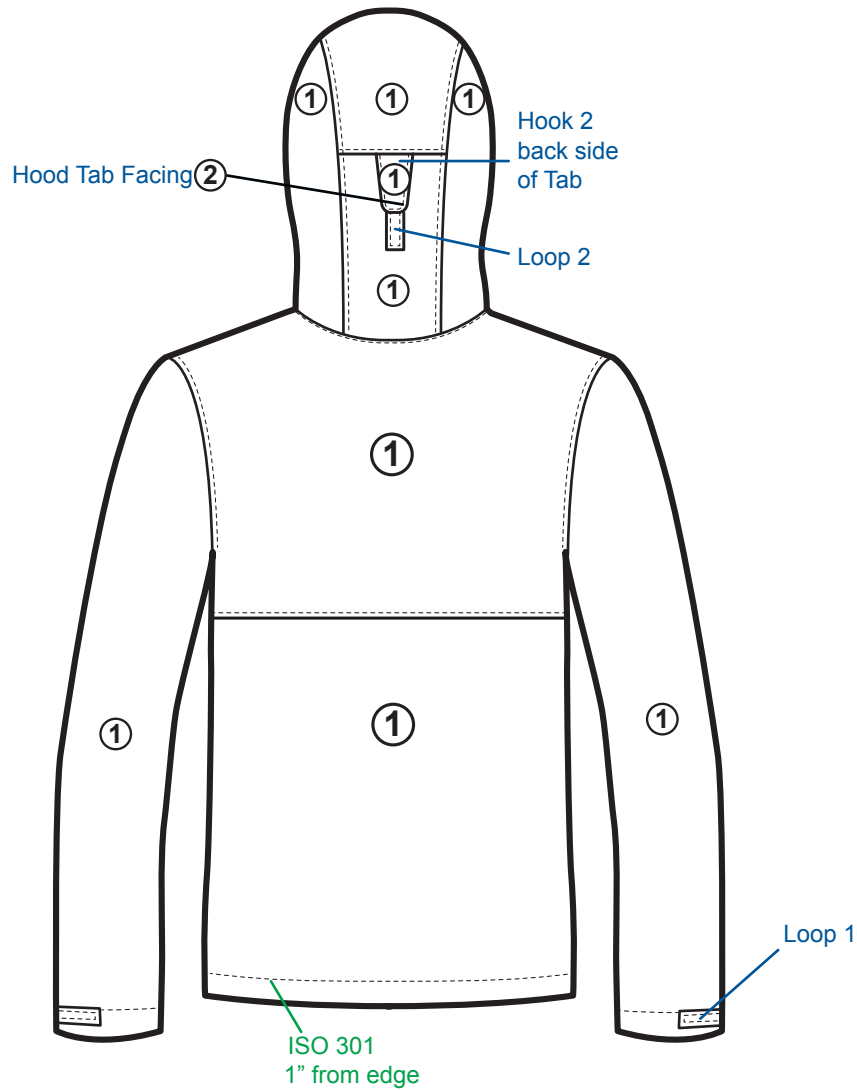
Last Updated: 05.15.23 EW



Technical

Line Slot: Ascender II HDD State: Production Season: F24
 Merchandise Division: Outerwear Merchandise Collection: Trail Product Class: Soft Shell Tops
 Designer: dmaguire Developer: wendall.nelson LO Developer: unassigned Sourcing Manager: melissa.gallagher
 Fit Engineer: alicehan

| | | | | | | | |
|---------|----------------|--------------------------------------|----------------|-----------|------------|---------|-----------|
| Design: | F4MO20904 5 | Sample LO: | Production LO: | India | | | |
| Style | Material Style | Style Description | Pattern | Base Size | Size Scale | Fit | SMU Type |
| WM5779 | 2090451 | Ascender™ II Hooded Softshell Jacket | L14M2016 | M | S - XXL | Regular | Color Add |



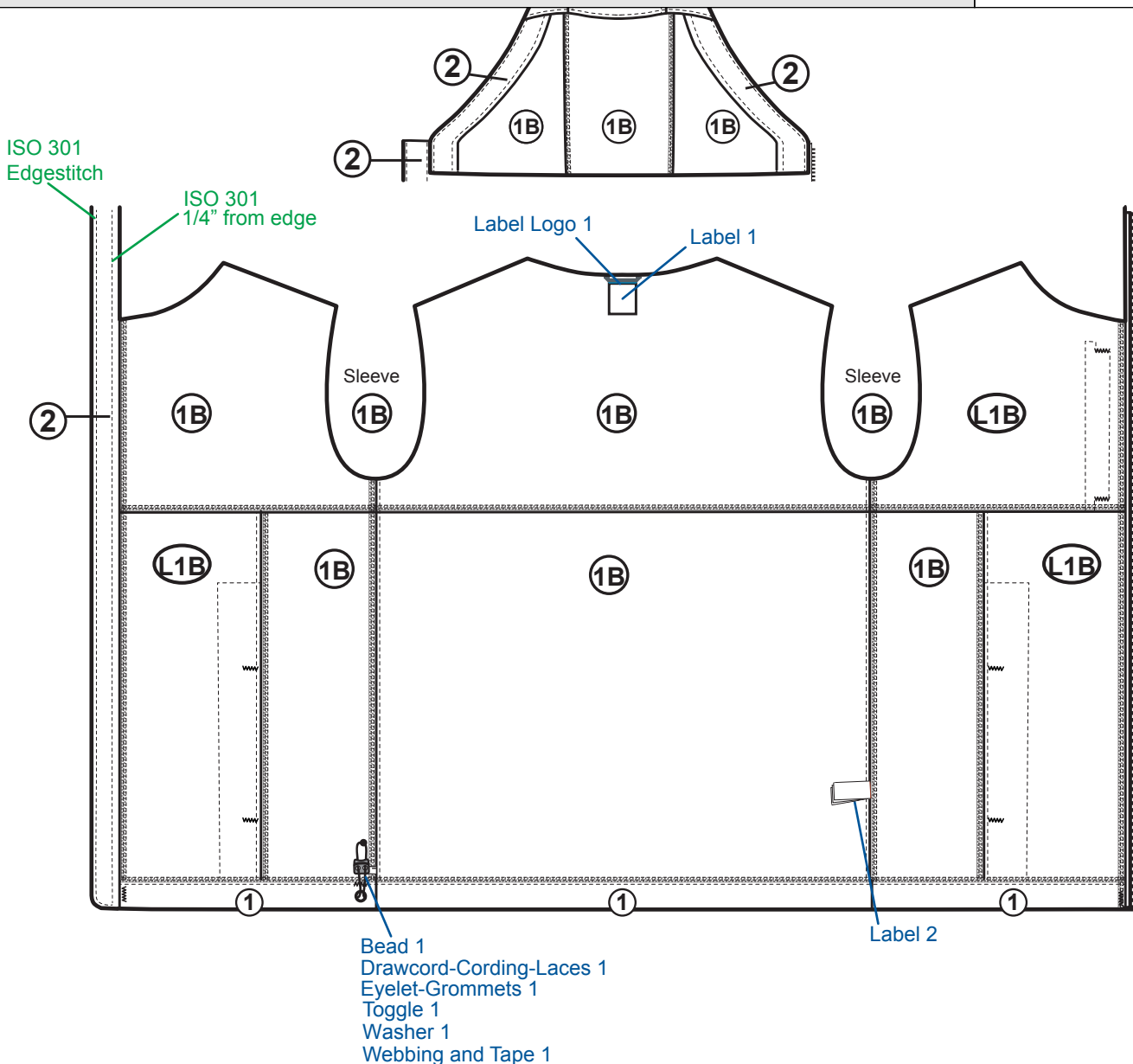
LINING SKETCH

Technical

| | | |
|---------------------------------|-------------------------------|-------------------------------------|
| Line Slot: Ascender II HDD | State: Production | Season: F24 |
| Merchandise Division: Outerwear | Merchandise Collection: Trail | Product Class: Soft Shell Tops |
| Designer: dmaguire | Developer: wendall.nelson | LO Developer: unassigned |
| | | Sourcing Manager: melissa.gallagher |

Fit Engineer: alicehan

| | | | |
|------------------------|-------------------------|---|---------------------|
| Design: F4MO20904 5 | Sample LO: | Production LO: | India |
| Style: WM5779 | Material Style: 2090451 | Style Description: Ascender™ II Hooded Softshell Jacket | Pattern: L14M2016 |
| | Base Size: M | Size Scale: S - XXL | Fit: Regular |
| | | | SMU Type: Color Add |

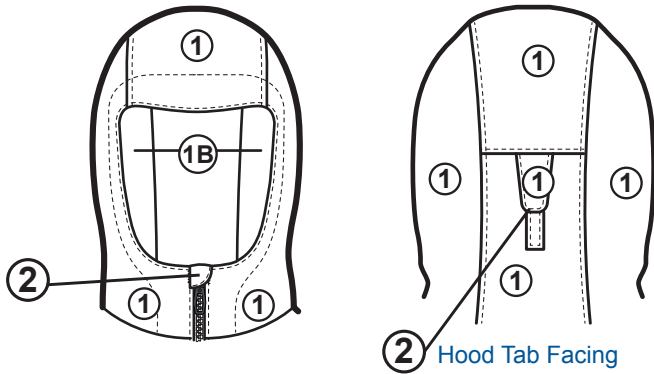


Technical

| | | | | | | | |
|---------------------------------|----------------|--------------------------------------|----------|-------------------------------------|------------|---------|-----------|
| Line Slot: Ascender II HDD | | State: Production | | Season: F24 | | | |
| Merchandise Division: Outerwear | | Merchandise Collection: Trail | | Product Class: Soft Shell Tops | | | |
| Designer: dmaguire | | Developer: wendall.nelson | | LO Developer: unassigned | | | |
| Fit Engineer: alicehan | | | | Sourcing Manager: melissa.gallagher | | | |
| Design: | F4MO20904 5 | Sample LO: | | Production LO: | India | | |
| Style | Material Style | Style Description | Pattern | Base Size | Size Scale | Fit | SMU Type |
| WM5779 | 2090451 | Ascender™ II Hooded Softshell Jacket | L14M2016 | M | S - XXL | Regular | Color Add |



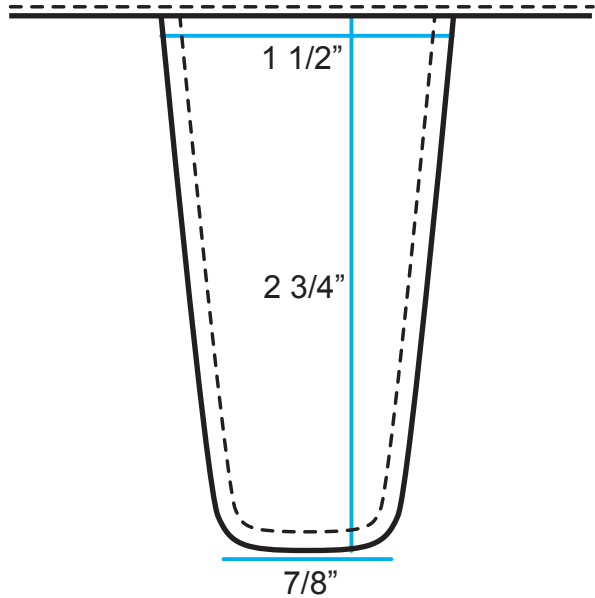
Last



DETAIL:
Hood dimensions

TO-SCALE DETAIL SKETCHES
(PLEASE COPY DIRECTLY FOR PATTERN)

BACK VOLUME TAB



Technical

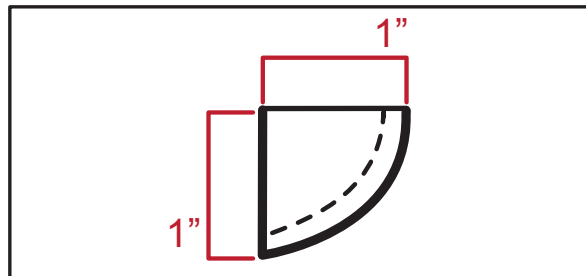
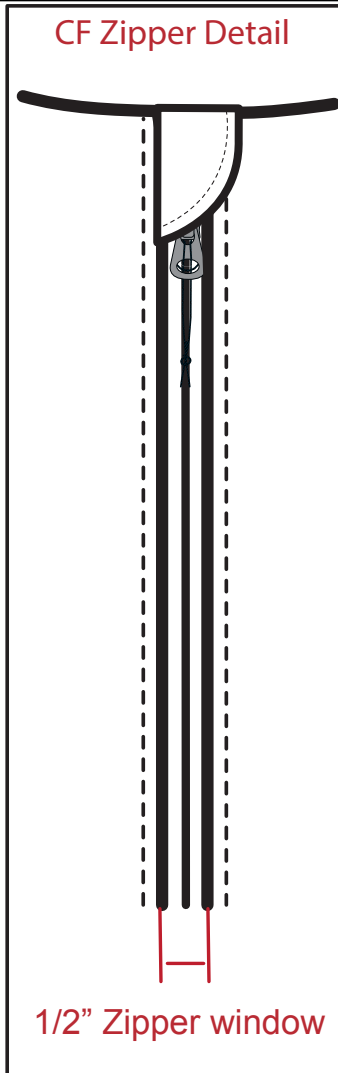
Line Slot: Ascender II HDD
 Merchandise Division: Outerwear
 Designer: dmaguire
 Fit Engineer: alicehan

Merchandise Collection: Trail
 Developer: wendall.nelson

State: Production
 Product Class: Soft Shell
 LO Developer: unassigned

Season: F24
 Sourcing Manager: melissa.gallagher

| | | | | | | | |
|---------|----------------|--------------------------------------|----------|----------------|------------|---------|-----------|
| Design: | F4MO20904 | Sample LO: | 5 | Production LO: | India | | |
| Style | Material Style | Style Description | Pattern | Base Size | Size Scale | Fit | SMU Type |
| WM5779 | 2090451 | Ascender™ II Hooded Softshell Jacket | L14M2016 | M | S - XXL | Regular | Color Add |



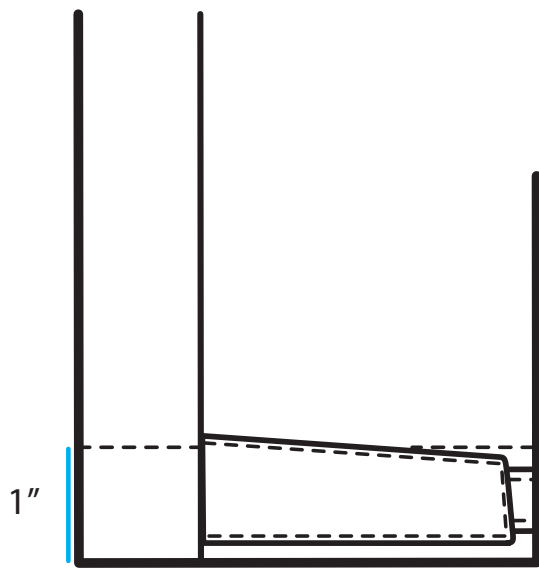
Technical

Line Slot: Ascender II HDD State: Production Season: F24
 Merchandise Division: Outerwear Merchandise Collection: Trail Product Class: Soft Shell Tops
 Designer: dmaguire Developer: wendall.nelson LO Developer: unassigned Sourcing Manager: melissa.gallagher
 Fit Engineer: alicehan

| | | | | | | | |
|---------|----------------|--------------------------------------|----------|----------------|------------|---------|-----------|
| Design: | F4MO20904 5 | Sample LO: | | Production LO: | India | | |
| Style | Material Style | Style Description | Pattern | Base Size | Size Scale | Fit | SMU Type |
| WM5779 | 2090451 | Ascender™ II Hooded Softshell Jacket | L14M2016 | M | S - XXL | Regular | Color Add |

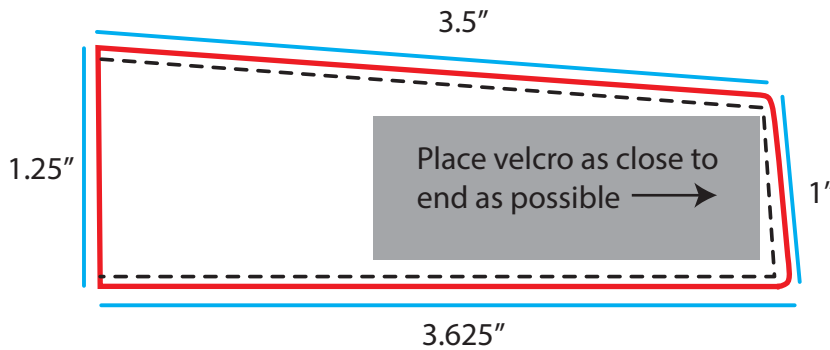


for SOFT SHELL CUFF TAB



STITCHED

- * Stitched cuff & cuff tab
- * Strip-cut hook & loop



This is confidential and proprietary information of Columbia Sportswear Company. You agree that you will not disclose this information to any third party or use it for any purpose other than on behalf of Columbia. You have no right to use Columbia's name or any of its trademarks, trade names, copyrights, patents, designs or other intellectual property except as set forth in writing by Columbia.

Hangtag Package Report

Apparel Style: WM5779

Season: F24

Brand: Columbia

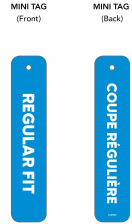
Merchandise Category: Outerwear

Merchandiser: Ash.Peltz

Line Slot: Ascender II HDD

Sort Order: 0.0 Part: 126967 - Regular Fit Swing Tag
 Instruction: Swing tag to be placed on top of cover tag on same plastic loop.

| SKU/Version # | Size | Name | Revised Date |
|---------------|--------|---------------------------------|--------------|
| OP1490984 | 126967 | OP1490984_126967_MT_Regular Fit | 10-18-23 |



| SKU/Version # | Size | Name | Revised Date |
|-----------------------------|--------|--------------------------------------|--------------|
| Process Blue / Process Blue | 126967 | Process Blue / Process Blue | |
| 275 x 137 / 1085mm x 543mm | | ApexCoat Coating, Die Cut, 3mm punch | |



Sort Order: 1.0 Part: 097038 - Columbia Omni-Shield Hangtag
 Instruction: (Tag should be hung with 3" plastic loop stringer through lower left front pocket zipper pull)

| SKU/Version # | Size | Name | Revised Date |
|---------------|--------|--|--------------|
| OP384986 | 097038 | OP384986_097038_TC_Columbia_OmniShield | 01-17-23 |



| SKU/Version # | Size | Name | Revised Date |
|---------------------------------|--------|--------------------------------------|--------------|
| 4 - Process Blue / Process Blue | 126967 | 4 - Process Blue / Process Blue | |
| 235 x 148 / 938mm x 589mm | | ApexCoat Coating, Die Cut, 3mm Punch | |



Sort Order: 3.0 Part: 121612 - MSRP/UPC with RFID Specs for MSRP.
 Please refer to VAS specs for any exceptions. MSRP required on all product shipping to the US.
 Instruction:

| SKU/Version # | Size | Name | Revised Date |
|---------------|--------|--|--------------|
| n/a | 121612 | PDM_121612_RFID UPC Sticker...Dec...3...2022 | 12-03-22 |



| SKU/Version # | Size | Name | Revised Date |
|-------------------------------|------|--|--------------|
| Black | | White, Dual Matrix Sticker Stock | |
| 15855 x 16267 / 595mm x 641mm | | Die-cut, sticker is perforated 3mm up from bottom edge | |

