

Related Styles

Line Slot: Powder Lite II Vest
 Merchandise Division: Outerwear
 Designer: dmaguire
 Fit Engineer: alicehan

State: Production
 Product Class: Insulated Vest
 LO Developer: kgokul
 Season: F25
 Sourcing Manager: melissa.gallagher



Design:	F4MO208697	Sample LO:		Production LO:	India		
Style	Material Style	Style Description	Pattern	Base Size	Size Scale	Fit	SMU Type
WE7352	2086975	Powder Lite™ II Vest	L19Z7137	M	S - XXL	Pan-Asian Active	N/A

Style	Material Style	Style Description	Design	Pattern	Base Size	Size Scale	Sample LO	Production LO
WS7352	2086972	Powder Lite™ II Vest	F4MO208697	EL17S1015	2X	1X - 6X		India
WO7352	2086971	Powder Lite™ II Vest	F4MO208697	L19M8097	M	S - XXL		India
WX7352	2086974	Powder Lite™ II Vest	F4MO208697	EL19M8097	M	S - XXL		India

This is confidential and proprietary information of Columbia Sportswear Company. You agree that you will not disclose this information to any third party or use it for any purpose other than on behalf of Columbia. You have no right to use Columbia's name or any of its trademarks, trade names, copyrights, patents, designs or other intellectual property except as set forth in writing by Columbia.

Part Specifications with Approved Suppliers

Line Slot: Powder Lite II Vest State: Production Season: F25
 Merchandise Division: Outerwear Merchandise Collection: Trail Product Class: Insulated Vest
 Designer: dmaquire Developer: alicehan LO Developer: kgokul Sourcing Manager: melissa.gallagher
 Fit Engineer: alicehan



Design: F4MO208697 Sample LO: Production LO: India Vendor Master INDIA, Vendor Master INDIA, INDIA,
 Production LO: BANGLADES Sourcing LO: INDIA H, INDIA
 Style Material Style Style Description Pattern Base Size Size Scale Fit SMU Type
 WE7352 2086975 Powder Lite™ II Vest L19Z7137 M S - XXL Pan-Asian N/A
 Active

Number	Description	UM	Fiber Content	Fiber Content Back	Material Coating	Material Finish (Face)	Material Laminate	Trim Specific	Supplier Art No	Country of Origin	Standard Cost (FOB)	Purchase Cost (CIF)	Product on Lead Time with Greige	Product on Lead Time without Greige
Fabric														
120360	PFC Free Version of 053534 Omni Shield Storm Lite DP II (Dull Face)	yd	100% Polyester	unassigned	MaterialCoatingNone	Cire Back - Double, Durable Water Repellent (80/10HL) CO PFOA/PFOS Free	MaterialLaminateNone							
Formosa Taffeta Company-Chang Shu		Fabric Width: 57.0 in Width Type: cuttable Primary Weight: 75.0 g/m2							M965	China	1.55	0.0	45	70
Formosa Taffeta Company - Vietnam		Fabric Width: 57.0 in Width Type: cuttable Primary Weight: 77.0 g/m2							M965-3012KYCN	Vietnam	1.5	0.0	40	70
YOUNGONE CORPORATION--Fabric division		Fabric Width: 57.0 in Width Type: cuttable Primary Weight: 70.0 g/m2							P-TSI-3554 DWR CIRE	Bangladesh	1.73	0.0	40	70
Huamao(Xiamen) Special Material Co., Ltd		Fabric Width: 57.0 in Width Type: cuttable Primary Weight: 73.0 g/m2							PPKC/ROOIID	China	1.65	0.0	50	80
HuaFeng - Vietnam		Fabric Width: 75.0 in Width Type: cuttable Primary Weight: 57.0 g/m2							053534	Vietnam	1.6	0.0	45	70
Kusumgar Corporates Private Limited		Fabric Width: 57.0 in Width Type: cuttable Primary Weight: 73.0 g/m2							8131	India	1.51	0.0	40	90
073148	Windbreaker Cire Face Better OHR foil print Lining	yd	100% Polyester	unassigned	MaterialCoatingNone	Cire Face - Double	MaterialLaminateNone							
Shanghai Jiuyu Textile Technology Co Ltd		Fabric Width: 56.0 in Width Type: cuttable Primary Weight: 75.0 g/m2							73148	China	1.93	0.0	55	65
Formosa Taffeta Company - Vietnam		Fabric Width: 58.0 in Width Type: cuttable Primary Weight: 74.0 g/m2							E561-3011K51J	Vietnam	2.3	0.0	50	70
HuaFeng - Vietnam		Fabric Width: 56.0 in Width Type: cuttable Primary Weight: 75.0 g/m2							073148	Vietnam	2.3	0.0	55	65
Tran Hiep Thanh Textile Corporation		Fabric Width: 58.0 in Width Type: cuttable Primary Weight: 74.0 g/m2							073148	Vietnam	2.2	0.0	44	59
004476	FOR POCKETING AND YOUTH STYLES ONLY Chamois Touch Tricot	yd	100% Polyester	unassigned	unassigned	Anti-pill (face), Brushed (Tech Face)	unassigned							
Huge-Bamboo Enterprise Co., Ltd.		Fabric Width: 60.0 in Width Type: cuttable Primary Weight: 75.0 g/m2							RA145069-7C-5910225A	Vietnam	0.65	0.0	35	50
Haren Textiles Pvt. Ltd.		Fabric Width: 60.0 in Width Type: cuttable Primary Weight: 80.0 g/m2							90363	India	0.68	0.0	30	45
YOUNGONE CORPORATION--Fabric division		Fabric Width: 60.0 in Width Type: cuttable Primary Weight: 77.0 g/m2							PDM004476	Bangladesh	0.94	0.0	40	70
Huge Rock Textile Co., Ltd.		Fabric Width: 60.0 in Width Type: cuttable Primary Weight: 75.0 g/m2							004476	Taiwan	0.95	0.0	60	75
HTT Insprite (Xiamen) Imp & Exp Co. Ltd.		Fabric Width: 60.0 in Width Type: cuttable Primary Weight: 75.0 g/m2							004476	China	0.67	0.0	35	60

Part Specifications with Approved Suppliers

Line Slot: Powder Lite II Vest State: Production Season: F25
 Merchandise Division: Outerwear Merchandise Collection: Trail Product Class: Insulated Vest
 Designer: dmaquire Developer: alicehan LO Developer: kgokul Sourcing Manager: melissa.gallagher
 Fit Engineer: alicehan



Design: F4MO208697 Sample LO: Production LO: India Vendor Master: INDIA, Vendor Master: INDIA, INDIA,
 Production LO: BANGLADES Sourcing LO: INDIA
 H, INDIA
 Style: WE7352 Material Style: 2086975 Style Description: Powder Lite™ II Vest Pattern: L19Z7137 Base Size: M Size Scale: S - XXL Fit: Pan-Asian Active SMU Type: N/A

Number	Description	UM	Fiber Content	Fiber Content Back	Material Coating	Material Finish (Face)	Material Laminate	Trim Specific	Supplier Art No	Country of Origin	Standard Cost (FOB)	Purchase Cost (CIF)	Product on Lead Time with Greige	Product on Lead Time without Greige	
072367	Windbreaker Dyed Only	yd	100% Polyester	unassigned	MaterialCoatingNone	Cire Back - Double	MaterialLaminateNone								
Shanghai Jiuyi Textile Technology Co Ltd			Fabric Width: 56.0 in Width Type: cuttable Primary Weight: 70.0 g/m2							A033	China	1.0	0.0	40	50
Formosa Taffeta Company - Zhong Shan			Fabric Width: 58.0 in Width Type: cuttable Primary Weight: 70.0 g/m2							E561-3011E000	China	1.1	0.0	40	60
YOUNGONE CORPORATION--Fabric division			Fabric Width: 58.0 in Width Type: cuttable Primary Weight: 72.0 g/m2							TYN-3514L	Bangladesh	1.46	0.0	40	70
Tran Hiep Thanh Textile Corporation			Fabric Width: 58.0 in Width Type: cuttable Primary Weight: 70.0 g/m2							072367	Vietnam	1.08	0.0	30	45
HuaFeng - Vietnam			Fabric Width: 56.0 in Width Type: cuttable Primary Weight: 70.0 g/m2							072367	Vietnam	1.1	0.0	30	45
HuaFeng - Putian			Fabric Width: 56.0 in Width Type: cuttable Primary Weight: 70.0 g/m2							072367	China	1.1	0.0	30	45
006492	Interlining Non-Woven Sew -In Medium Weight. Recycled version is 110670	yd	70% Polyester, 30% Viscose	unassigned	unassigned	unassigned	unassigned								
MaxBond			Fabric Width: 48.0 in Width Type: cuttable Primary Weight: 50.0 g/m2							VP3750	Vietnam	0.36	0.0	10	20
PCC asia LLC			Fabric Width: 60.0 in Width Type: unassigned Primary Weight: 36.0 g/m2							CL1075	China	0.32	0.0	14	21
300125	Slimtech Needlepunch 80gm m2 no scrim	yd	100% Polyester	unassigned	unassigned	MaterialFinishNone	unassigned								
Shinh-Taiwan			Fabric Width: 60.0 in Width Type: cuttable Primary Weight: 80.0 g/m2							unassigned	Taiwan	0.48	0.0	21	21
Shinh-Vietnam			Fabric Width: 60.0 in Width Type: cuttable Primary Weight: 80.0 g/m2							ADM300125	Vietnam	0.48	0.0	21	21
Everpia			Fabric Width: 60.0 in Width Type: cuttable Primary Weight: 80.0 g/m2							K.E.F	Vietnam	0.5	0.0	15	20
YOUNGONE CORPORATION--Insulation			Fabric Width: 60.0 in Width Type: cuttable Primary Weight: 80.0 g/m2							300125	Bangladesh	0.68	0.0	21	35
TP Absolon Inc.			Fabric Width: 60.0 in Width Type: cuttable Primary Weight: 80.0 g/m2							300125	Vietnam	0.48	0.0	20	20
Shinh - Indonesia			Fabric Width: 60.0 in Width Type: cuttable Primary Weight: 80.0 g/m2							NULB 80G/M2	Indonesia	0.48	0.0	21	21
113362	Recycled Thermarator	kg	100% Recycled Polyester	unassigned	unassigned	unassigned	unassigned								
TP Absolon Inc.			Fabric Width: 0.0 in Width Type: cuttable Primary Weight: 0.0 g/m2							TBD	Vietnam	3.7	0.0	25	25
YOUNGONE CORPORATION--Insulation			Fabric Width: 0.0 in Width Type: unassigned Primary Weight: 0.0 g/m2							TBD	Bangladesh	3.8	0.0	21	35
Trim															
011001	3mm (fits single dc size 3mm) Small Hard TPU Cordlock Stopper 1 clr CANNOT BE DONE IN CLEAR COLOR White color may have a yellowing issue	ea	100% TPU	unassigned	unassigned	unassigned	unassigned	Size UM: mm							
Nifco Taiwan Corporation									CLS3	Taiwan	0.0432	0.0	30	35	

Part Specifications with Approved Suppliers

Line Slot: Powder Lite II Vest State: Production Season: F25
 Merchandise Division: Outerwear Merchandise Collection: Trail Product Class: Insulated Vest
 Designer: dmaguire Developer: alicehan LO Developer: kgokul Sourcing Manager: melissa.gallagher
 Fit Engineer: alicehan



Design: F4MO208697 Sample LO: Production LO: India Vendor Master: INDIA, Vendor Master: INDIA, INDIA,
 Production LO: BANGLADES Sourcing LO: INDIA
 H, INDIA
 Style Material Style Style Description Pattern Base Size Size Scale Fit SMU Type
 WE7352 2086975 Powder Lite™ II Vest L19Z7137 M S - XXL Pan-Asian Active N/A

Number	Description	UM	Fiber Content	Fiber Content Back	Material Coating	Material Finish (Face)	Material Laminate	Trim Specific	Supplier Art No	Country of Origin	Standard Cost (FOB)	Purchase Cost (CIF)	Product on Lead Time with Greige	Product on Lead Time without Greige
Unitex International Button Accessories Ltd									011001	China	0.0333	0.0322	32	32
Vietnam Trien Trieu (VTT)									486811	Vietnam	0.03	0.0	30	30
FGV - Shahi Exports Pvt. (SEP) Ltd.									011001	India	0.027	0.0	20	30
POONG HAN PLASTIC (BD) LIMITED									PHCOL-007	Bangladesh	0.0112	0.0	30	30
380083	2.5mm OD Stretch Drawcord Polyester/ 1 color	yd	55% Latex, 45% Polyester	unassigned	unassigned	unassigned	unassigned	Size UM: mm Outside Diameter: 2.5						
Gong Myung Korea									380083	South Korea	0.058	0.0	30	30
Elasticos Universales (Eltitex)									R-16/3	Guatemala	0.15	0.0	0	30
Naturub Group of Companies									BBA-011577	Bangladesh	0.0538	0.0	30	30
Paiho Global									TRU0001	Taiwan	0.058	0.0	30	60
008166	1.5mm non stretch drawcord w/ticks 2 clr (ECO version use 082935)	yd	100% Polyester	unassigned	unassigned	unassigned	unassigned	Size UM: yd						
Chun Wo Ho Co. Ltd									320704	China	0.07	0.0	30	35
Gong Myung Korea									GM-8166	South Korea	0.0483	0.0	30	30
Paiho Global									008166	Taiwan	0.049	0.0	30	60
Naturub Group of Companies									BBA011534 (Multicolor) / BBA-011773 (Solid color)	Bangladesh	0.0442	0.0	15	25
FGV Sourced									008166	unassigned	0.0609	0.0	15	0
FGV - Shahi Exports Pvt. (SEP) Ltd.									008166	India	0.045	0.0	15	25
026906	SAME AS 420024 6mm ID Metal Finish Eyelet 1 clr finish. Use 059588 for enamel DTM color.	set	80% Brass, 20% Other Fibers	unassigned	unassigned	unassigned	unassigned	Size UM: mm						
Button International Company									026906	Taiwan	0.009	0.0148	30	40
Sungbo									026906	South Korea	0.0112	0.0	30	30
Vietnam Trien Trieu (VTT)									026906	Vietnam	0.03	0.0	0	15
Unitex International Button Accessories Ltd									420024	China	0.0129	0.0	35	40
ZHEJIANG WEIXING IMP AND EXP COMPANY LTD(SAB Zippers)									SABETCLB03	Bangladesh	0.011	0.0	20	20

Part Specifications with Approved Suppliers

Line Slot: Powder Lite II Vest State: Production Season: F25
 Merchandise Division: Outerwear Merchandise Collection: Trail Product Class: Insulated Vest
 Designer: dmauire Developer: alicehan LO Developer: kgokul Sourcing Manager: melissa.gallagher
 Fit Engineer: alicehan



Design: F4MO208697 Sample LO: Production LO: India Vendor Master: INDIA, Vendor Master: INDIA, INDIA,
 Production LO: BANGLADES Sourcing LO: INDIA
 H, INDIA
 Style: Material Style: Style Description: Pattern: Base Size: Size Scale: Fit: SMU Type:
 WE7352 2086975 Powder Lite™ II Vest L19Z7137 M S - XXL Pan-Asian Active N/A

Number	Description	UM	Fiber Content	Fiber Content Back	Material Coating	Material Finish (Face)	Material Laminate	Trim Specific	Supplier Art No	Country of Origin	Standard Cost (FOB)	Purchase Cost (CIF)	Product on Lead Time with Greige	Product on Lead Time without Greige
059197	USE ONLY FOR ALL ADULTSIZES AND YOUTH S-XL 42mm x 8mm Lightweight Stripe woven ECO Hanger Loop DOWN 2 clr other colors w Director approval only	ea	100% Recycled Polyester	unassigned	unassigned	unassigned	unassigned	Size UM: mm						
Dong Young									DY-59197	South Korea	0.024	0.0	25	25
Avery Dennison Global									059197	China	0.024	0.0	30	30
025693	76mm (A) Columbia/Bug Logo Screenprint 1 clr	ea	unassigned	unassigned	unassigned	unassigned	unassigned	Size UM: mm						
FGV Sourced									025693	unassigned	0.0	0.0	0	0
FGV - Sung Jin (SJI) EQ									76mm (A) Columbia/Bug Logo Screenprint 1 clr	unassigned	0.137	0.0	0	0
033748	60.9mm (size A) Omni-Heat Screenprint	ea	unassigned	unassigned	unassigned	unassigned	unassigned	Size UM: mm						
079632	Coats Epic EV Tex 24	meter	100% Recycled Polyester	unassigned	unassigned	unassigned	unassigned	Size UM: tex						
Coats Global Thread									EV51120	unassigned	0.00048	0.0	0	0
008214	Coats ASTRA Spun Polyester Tex 27 40/2	meter	100% Polyester	unassigned	unassigned	unassigned	unassigned	Size UM: tex						
Coats Global Thread									EV65120	unassigned	0.0003	0.0	0	0
031940	4.5mm ID Toggle	ea	95% POM, 5% Stainless Steel	unassigned	unassigned	unassigned	unassigned	Size UM: mm						
Nifco Taiwan Corporation									FCL7AA	Taiwan	0.067	0.1	30	35
FGV - Shahi Exports Pvt. (SEP) Ltd.									031940	unassigned	0.066	0.0	30	40
002614	Plastic Washer (Polyurethane) (use on all Snap Stud and Post or Eyelets if needed) Clear CAN BE USED FOR YOUTH	ea	100% Polyurethane	unassigned	unassigned	unassigned	unassigned	Size UM: mm						
Unitex International Button Accessories Ltd									002614	China	0.00559	0.0	28	40
FGV Sourced									002614	unassigned	0.0	0.0	0	0
Button International Company									002614	Taiwan	0.0013	0.0	35	40
Sungbo									002614	unassigned	0.0	0.0	0	0

Part Specifications with Approved Suppliers

Line Slot: Powder Lite II Vest State: Production Season: F25
 Merchandise Division: Outerwear Merchandise Collection: Trail Product Class: Insulated Vest
 Designer: dmaguire Developer: alicehan LO Developer: kgokul Sourcing Manager: melissa.gallagher
 Fit Engineer: alicehan



Design: F4MO208697 Sample LO: Production LO: India Vendor Master: INDIA, Vendor Master: INDIA, INDIA,
 Production LO: BANGLADES Sourcing LO: INDIA
 H, INDIA
 Style Material Style Style Description Pattern Base Size Size Scale Fit SMU Type
 WE7352 2086975 Powder Lite™ II Vest L19Z7137 M S - XXL Pan-Asian Active N/A

Number	Description	UM	Fiber Content	Fiber Content Back	Material Coating	Material Finish (Face)	Material Laminate	Trim Specific	Supplier Art No	Country of Origin	Standard Cost (FOB)	Purchase Cost (CIF)	Product on Lead Time with Greige	Product on Lead Time without Greige
Dong Young									DY-59200	South Korea	0.06	0.0	25	25
Manohar Filaments									23/11813/2	India	0.0461	0.0	30	30
067533	33mm Patent Care Content like 006564 ECO Booklet Fold label COO / wht/blk and Blk/White	ea	100% Recycled Polyester	unassigned	unassigned	unassigned	unassigned	Size UM: mm						
Dong Young									DY-067533	unassigned	0.038	0.0	0	30
Avery Dennison Global									067533	China	0.01881	0.0	30	30
Bao Shen (Apparel)									067533	Vietnam	0.019	0.0	7	21
Nexgen Packaging Global									067533	unassigned	0.0221	0.0	21	28
126966	Active Fit Swing Tag	ea	unassigned	unassigned	unassigned	unassigned	unassigned	Size UM: in						
Hang Sang Press Co. Ltd									n/a	unassigned	0.023	0.0	0	0
Finotex El Salvador									FILE - 4885	El Salvador	0.016	0.0	21	28
097088	Columbia Omni-Heat Reflective, Omni-Shield Hangtag	ea	unassigned	unassigned	unassigned	unassigned	unassigned	Size UM: cm						
121612	MSRP/UPC with RFID Specs for MSRP. Please refer to VAS specs for any exceptions. MSRP required on all product shipping to the US.	ea	unassigned	unassigned	unassigned	unassigned	unassigned	Size UM: mm						
Bao Shen (Apparel)									n/a	unassigned	0.049	0.0	7	0
Avery Dennison Global									n/a	unassigned	0.04875	0.0	14	0
126967	Regular Fit Swing Tag	ea	unassigned	unassigned	unassigned	unassigned	unassigned	Size UM: in						
Hang Sang Press Co. Ltd									n/a	unassigned	0.023	0.0	0	0
Finotex El Salvador									n/a	unassigned	0.016	0.0	21	28
980001	Polybag See Standard CCS 4200 for specifications	ea	unassigned	unassigned	unassigned	unassigned	unassigned	Size UM: mm						
Contractor									980001	unassigned	0.0	0.0	0	0
980010	UPC Bag Sticker Generic (MHW/Columbia) See CCS4400/ 4401 and MHW4402 for Mt Hardwear for instructions	ea	unassigned	unassigned	unassigned	unassigned	unassigned	Size UM: mm						
Hang Sang Press Co. Ltd									980010	Hong Kong	0.016	0.0	14	14
Avery Dennison Global									980010	China	0.01089	0.0	30	30

Color BOM

Line Slot: Powder Lite II Vest State: Production Season: F25
 Merchandise Division: Outerwear Merchandise Collection: Trail Product Class: Insulated Vest
 Designer: dmaguire Developer: alicehan LO Developer: kgokul Sourcing Manager: melissa.gallagher
 Fit Engineer: alicehan

Design: F4MO208697 Sample LO: Production LO: India
 Style Material Style Style Description Pattern Base Size Size Scale Fit SMU Type
 WE7352 2086975 Powder Lite™ II L19Z7137 M S - XXL Pan-Asian Active N/A



Component	Details	Placement	Usage	Width	Marker Width	010-Black	262-Canoe, Black	375-Rain Forest	464-Collegiate Navy	624-Rich Wine, Black
SAP Material Code						208697101 0	208697526 2	208697137 5	208697146 4	208697262 4
						208697401 0	208697226 2	208697537 5	208697446 4	208697162 4
						208697501 0	208697126 2	208697237 5	208697546 4	208697462 4
						208697201 0	208697426 2	208697437 5	208697246 4	208697562 4
SMU Accounts						N/A	N/A	N/A	N/A	N/A
Shell 1	120360 PFC Free Version of 053534 Omni Shield Storm Lite DP II (Dull Face) Flat Taffeta 100% Polyester 172 X 122 PF50 SD x PF50 SD Cire Back - Double, Durable Water Repellent (80/10HL) C0 PFOA/PFOS Free MaterialCoatingNone MaterialLaminateNone 70.0 g/m2 Piece Dye/Jet NA		0.572 yd	57.0	0	Black	Canoe	Rain Forest	Collegiate Navy	Rich Wine
Shell 2	120360 PFC Free Version of 053534 Omni Shield Storm Lite DP II (Dull Face) Flat Taffeta 100% Polyester 172 X 122 PF50 SD x PF50 SD Cire Back - Double, Durable Water Repellent (80/10HL) C0 PFOA/PFOS Free MaterialCoatingNone MaterialLaminateNone 70.0 g/m2 Piece Dye/Jet NA		0.262 yd	57.0	0	Black	Black	Rain Forest	Collegiate Navy	Black

Color BOM

Line Slot: Powder Lite II Vest
 Merchandise Division: Outerwear
 Designer: dmaguire
 Fit Engineer: alicehan

Merchandise Collection: Trail
 Developer: alicehan

State: Production
 Product Class: Insulated Vest
 LO Developer: kgokul

Season: F25
 Sourcing Manager: melissa.gallagher



Design: F4MO208697 Sample LO: Production LO: India
 Style: Material Style Style Description Pattern Base Size Size Scale Fit SMU Type
 WE7352 2086975 Powder Lite™ II Vest L19Z7137 M S - XXL Pan-Asian Active N/A

Component	Details	Placement	Usage	Width	Marker Width	010-Black	262-Canoe, Black	375-Rain Forest	464-Collegiate Navy	624-Rich Wine, Black
SAP Material Code						2086971010	2086975262	2086971375	2086971464	2086972624
						2086974010	2086972262	2086975375	2086974464	2086971624
						2086975010	2086971262	2086972375	2086975464	2086974624
						2086972010	2086974262	2086974375	2086972464	2086975624
Lining 1	073148 Windbreaker Cire Face Better OHR foil print Lining Plain Weave 100% Polyester 167 X 129 50D/72F X 50D/72F Cire Face - Double MaterialCoatingNone MaterialLaminateNone 75.0 g/m2 Piece Dye/Jet NA		0.892 yd	56.0	0	Black	Black	Rain Forest	Collegiate Navy	Black
Lining 2	004476 FOR POCKETING AND YOUTH STYLES ONLY Chamois Touch Tricot 100% Polyester 28 Anti-pill (face), Brushed (Tech Face) 80.0 g/m2 Piece Dye/Jet NA		0.349 yd	60.0	0	Black	Black	Rain Forest	Collegiate Navy	Black
Lining 3	072367 Windbreaker Dyed Only Plain Weave 100% Polyester 167 X 129 50D/72F X 50D/72F Cire Back - Double MaterialCoatingNone MaterialLaminateNone 70.0 g/m2 Piece Dye/Jet NA		0.175 yd	56.0	0	Black	Black	Rain Forest	Collegiate Navy	Black

Color BOM

Line Slot: Powder Lite II Vest
 Merchandise Division: Outerwear
 Designer: dmaquire
 Fit Engineer: alicehan

Merchandise Collection: Trail
 Developer: alicehan

State: Production
 Product Class: Insulated Vest
 LO Developer: kgokul

Season: F25
 Sourcing Manager: melissa.gallagher



Design: F4MO208697 Sample LO:
 Style Material Style Style Description Pattern
 WE7352 2086975 Powder Lite™ II Vest L19Z7137
 Production LO: India
 Base Size Size Scale Fit SMU Type
 M S - XXL Pan-Asian Active N/A

Component	Details	Placement	Usage	Width	Marker Width	010-Black	262-Canoe, Black	375-Rain Forest	464-Collegiate Navy	624-Rich Wine, Black
SAP Material Code						208697101 0	208697526 2	208697137 5	208697146 4	208697262 4
						208697401 0	208697226 2	208697537 5	208697446 4	208697162 4
						208697501 0	208697126 2	208697237 5	208697546 4	208697462 4
						208697201 0	208697426 2	208697437 5	208697246 4	208697562 4
Binding 1	072367 Windbreaker Dyed Only Plain Weave 100% Polyester 167 X 129 50D/72F X 50D/72F Cire Back - Double MaterialCoatingNone MaterialLaminateNone 70.0 g/m2 Piece Dye/Jet NA		0.204 yd	56.0	0	Black	Black	Rain Forest	Collegiate Navy	Black
Interfacing 1	006492 Interlining Non-Woven Sew-In Medium Weight. Recycled version is 110670 Interlining 70% Polyester, 30% Viscose 36.0 g/m2		0.039 yd	60.0	0	White	White	White	White	White
Needlepunch 1	300125 Slimtech Needle punch 80gm m2 no scrim Non Woven 100% Polyester MaterialFinishNone 80.0 g/m2		0.039 yd	60.0	0	White	White	White	White	White
Insulation 1	113362 Recycled Thermanator Non Woven 100% Recycled Polyester 0.0 g/m2		0.136 kg	0.0	0	White	White	White	White	White
Bead 1	011001 3mm (fits single dc size 3mm) Small Hard TPU Cordlock Stopper 1 clr CANNOT BE DONE IN CLEAR COLOR White color may have a yellowing issue		2 ea	0.0	0	Black	Black	Grill	Collegiate Navy	Black

Color BOM

Line Slot: Powder Lite II Vest	State: Production	Season: F25					
Merchandise Division: Outerwear	Merchandise Collection: Trail	Product Class: Insulated Vest					
Designer: dmaquire	Developer: alicehan	LO Developer: kgokul					
Fit Engineer: alicehan		Sourcing Manager: melissa.gallagher					
Design: F4MO208697	Sample LO:	Production LO: India					
Style WE7352	Material Style 2086975	Style Description Powder Lite™ II Vest	Pattern L19Z7137	Base Size M	Size Scale S - XXL	Fit Pan-Asian Active	SMU Type N/A



Component	Details	Placement	Usage	Width	Marker Width	010-Black	262-Canoe, Black	375-Rain Forest	464-Collegiate Navy	624-Rich Wine, Black
SAP Material Code						2086971010	2086975262	2086971375	2086971464	2086972624
						2086974010	2086972262	2086975375	2086974464	2086971624
						2086975010	2086971262	2086972375	2086975464	2086974624
						2086972010	2086974262	2086974375	2086972464	2086975624
Drawcord-Cording-Laces 1	380083 2.5mm OD Stretch Drawcord Polyester/ 1 color Outside Diameter: 2.5		1.267 yd	0.0	0	Black	Black	Rain Forest	Collegiate Navy	Black
Drawcord-Cording-Laces 2	008166 1.5mm non stretch drawcord w/ticks 2 clr (ECO version use 082935)		0.566 yd	0.0	0	Black, Grill	Black, Grill	Grill, Columbia Grey	Collegiate Navy, Columbia Grey	Black, Grill
Eyelets-Grommets 1	026906 SAME AS 420024 6mm ID Metal Finish Eyelet 1 clr finish. Use 059588 for enamel DTM color.		2 set	0.0	0	Black Nickel Finish	Black Nickel Finish	Antique Silver Finish	Black Nickel Finish	Black Nickel Finish
Label Logo 1	059197 USE ONLY FOR ALL ADULT sizes AND YOUTH S-XL 42mm x 8mm Lightweight Stripe woven ECO Hanger Loop DOWN 2 clr other colors w Director approval only		1 ea	0.0	0	Columbia Grey, Grill	Columbia Grey, Grill	Columbia Grey, Grill	Columbia Grey, Grill	Columbia Grey, Grill
Screen Print 1	025693 76mm (A) Columbia/Bug Logo Screenprint 1 clr		1 ea	0.0	0	Columbia Grey	Columbia Grey	Columbia Grey	Columbia Grey	Columbia Grey
Screen Print 2	033748 60.9mm (size A) Omni-Heat Screenprint		1 ea	0.0	0	Columbia Grey	Columbia Grey	Columbia Grey	Columbia Grey	Columbia Grey
Thread 1	079632 Coats Epic EV Tex 24		489.85 meter	0.0	0	DTM	DTM	DTM	DTM	DTM
Thread 2	008214 Coats ASTRA Spun Polyester Tex 27 40/2		286.15 meter	0.0	0	DTM	DTM	DTM	DTM	DTM
Toggle 1	031940 4.5mm ID Toggle		2 ea	0.0	0	Black	Black	Grill	Collegiate Navy	Black
Washer 1	002614 Plastic Washer (Polyurethane) (use on all Snap Stud and Post or Eyelets if needed) Clear CAN BE USED FOR YOUTH		2 ea	0.0	0	Clear	Clear	Clear	Clear	Clear

Color BOM

Line Slot: Powder Lite II Vest
 Merchandise Division: Outerwear
 Designer: dmaguire
 Fit Engineer: alicehan

Merchandise Collection: Trail
 Developer: alicehan

State: Production
 Product Class: Insulated Vest
 LO Developer: kgokul

Season: F25
 Sourcing Manager: melissa.gallagher



Design:	F4MO208697	Sample LO:		Production LO:	India		
Style	Material Style	Style Description	Pattern	Base Size	Size Scale	Fit	SMU Type
WE7352	2086975	Powder Lite™ II Vest	L19Z7137	M	S - XXL	Pan-Asian Active	N/A

Component	Details	Placement	Usage	Width	Marker Width	010-Black	262-Canoe, Black	375-Rain Forest	464-Collegiate Navy	624-Rich Wine, Black
SAP Material Code						2086971010	2086975262	2086971375	2086971464	2086972624
						2086974010	2086972262	2086975375	2086974464	2086971624
						2086975010	2086971262	2086972375	2086975464	2086974624
						2086972010	2086974262	2086974375	2086972464	2086975624
Webbing and Tape 1	360027 3/8 in Grosgrain Tape Poly 1 clr Width: 9.5		0.121 yd	0.0	0	Black	Black	Grill	Collegiate Navy	Black
Webbing and Tape 2	360183 3/4 in W Foldover (3/8 to show) Woven Stretch Binding 1 clr FOR CAN STYLES PRODUCED IN VN use 110808 Width: 0.75		1.226 yd	0.0	0	Black	Black	Rain Forest	Collegiate Navy	Black
Zipper 1	002605 VSOL-56 DA8LH H3 OpenEnd Left-in AutoLk LargeHole AntSil Sldr/PI. CAN BE USED FOR CHILDREN Metal content Length: 8.0		1 ea	0.0	0	Black	Black	Rain Forest	Collegiate Navy	Black
Zipper 2	003711 VSC-56 DA8LH H3 Vislon Closed AutoLk LargeHole AntSilver Sldr/PI Metal content CAN BE USED FOR YOUTH Length: 4.0		2 ea	0.0	0	Black	Black	Rain Forest	Collegiate Navy	Black
Label 1	059200 40mm CSC International Size Extended Woven ECO Loop Label for use with Hanger Loop		1 ea	0.0	0	White, Columbia Grey, Compass Blue	White, Columbia Grey, Compass Blue	White, Columbia Grey, Compass Blue	White, Columbia Grey, Compass Blue	White, Columbia Grey, Compass Blue
Label 2	067533 33mm Patent Care Content like 006564 ECO Booklet Fold label COO / wht/blk and Blk/White		1 ea	0.0	0	White, Black	White, Black	White, Black	White, Black	White, Black
Hangtag Package Part	126966 Active Fit Swing Tag		1 ea	0.0	0	Artwork	Artwork	Artwork	Artwork	Artwork
Hangtag Package Part	097088 Columbia Omni-Heat Reflective, Omni-Shield Hangtag		1 ea	0.0	0	Artwork	Artwork	Artwork	Artwork	Artwork

Color BOM

Line Slot: Powder Lite II Vest
 Merchandise Division: Outerwear
 Designer: dmaguire
 Fit Engineer: alicehan

Merchandise Collection: Trail
 Developer: alicehan

State: Production
 Product Class: Insulated Vest
 LO Developer: kgokul

Season: F25
 Sourcing Manager: melissa.gallagher



Design: F4MO208697	Sample LO:	Production LO: India	
Style WE7352	Material Style 2086975	Style Description Powder Lite™ II Vest	Pattern L19Z7137
		Base Size M	Size Scale S - XXL
		Fit Pan-Asian Active	SMU Type N/A

Component	Details	Placement	Usage	Width	Marker Width	010-Black	262-Canoe, Black	375-Rain Forest	464-Collegiate Navy	624-Rich Wine, Black
SAP Material Code						2086971010	2086975262	2086971375	2086971464	2086972624
						2086974010	2086972262	2086975375	2086974464	2086971624
						2086975010	2086971262	2086972375	2086975464	2086974624
						2086972010	2086974262	2086974375	2086972464	2086975624
Hangtag Package Part	121612 MSRP/UPC with RFID Specs for MSRP. Please refer to VAS specs for any exceptions. MSRP required on all product shipping to the US.		1 ea	0.0	0	Artwork	Artwork	Artwork	Artwork	Artwork
Packaging 1	980001 Polybag See Standard CCS 4200 for specifications		1 ea	0.0	0	Stock	Stock	Stock	Stock	Stock
Packaging 2	980010 UPC Bag Sticker Generic (MHW/Columbia) See CCS4400/ 4401 and MHW4402 for Mt Hardwear for instructions		1 ea	0.0	0	Artwork	Artwork	Artwork	Artwork	Artwork
Packaging 3	064194 Outer Carton for costing purpose only		1 ea	0.0	0	Stock	Stock	Stock	Stock	Stock

This is confidential and proprietary information of Columbia Sportswear Company. You agree that you will not disclose this information to any third party or use it for any purpose other than on behalf of Columbia. You have no right to use Columbia's name or any of its trademarks, trade names, copyrights, patents, designs or other intellectual property except as set forth in writing by Columbia.

Colorless BOM



Line Slot: Powder Lite II Vest State: Production Season: F25
 Merchandise Division: Outerwear Merchandise Collection: Trail Product Class: Insulated Vest
 Designer: dmaquire Developer: alicehan LO Developer: kgokul Sourcing Manager: melissa.gallagher
 Fit Engineer: alicehan
 Design: F4MO20869 Sample LO: 7 Production LO: India
 Style WE7352 Material Style 2086975 Style Description Powder Lite™ II Vest Pattern L19Z7137 Base Size M Size Scale S - XXL Fit Pan-Asian Active SMU Type N/A

Component	Details	Placement	Usage	Width	Marker Width
SAP Material Code					
Shell 1	120360 PFC Free Version of 053534 Omni Shield Storm Lite DP II (Dull Face) Flat Taffeta 100% Polyester 172 X 122 PF50 SD x PF50 SD Cire Back - Double, Durable Water Repellent (80/10HL) C0 PFOA/PFOS Free MaterialCoatingNone MaterialLaminateNone 70.0 g/m2 Piece Dye/Jet NA		0.572 yd	57.0	0
Shell 2	120360 PFC Free Version of 053534 Omni Shield Storm Lite DP II (Dull Face) Flat Taffeta 100% Polyester 172 X 122 PF50 SD x PF50 SD Cire Back - Double, Durable Water Repellent (80/10HL) C0 PFOA/PFOS Free MaterialCoatingNone MaterialLaminateNone 70.0 g/m2 Piece Dye/Jet NA		0.262 yd	57.0	0
Lining 1	073148 Windbreaker Cire Face Better OHR foil print Lining Plain Weave 100% Polyester 167 X 129 50D/72F X 50D/72F Cire Face - Double MaterialCoatingNone MaterialLaminateNone 75.0 g/m2 Piece Dye/Jet NA		0.892 yd	56.0	0
Lining 2	004476 FOR POCKETING AND YOUTH STYLES ONLY Chamois Touch Tricot Tricot 100% Polyester 28 Anti-pill (face), Brushed (Tech Face) 80.0 g/m2 Piece Dye/Jet NA		0.349 yd	60.0	0
Lining 3	072367 Windbreaker Dyed Only Plain Weave 100% Polyester 167 X 129 50D/72F X 50D/72F Cire Back - Double MaterialCoatingNone MaterialLaminateNone 70.0 g/m2 Piece Dye/Jet NA		0.175 yd	56.0	0

Colorless BOM

Line Slot: Powder Lite II Vest State: Production Season: F25

Merchandise Division: Outerwear Merchandise Collection: Trail Product Class: Insulated Vest

Designer: dmaquire Developer: alicehan LO Developer: kgokul Sourcing Manager: melissa.gallagher

Fit Engineer: alicehan

Design: F4MO20869 Sample LO: 7 Production LO: India

Style	Material Style	Style Description	Pattern	Base Size	Size Scale	Fit	SMU Type
WE7352	2086975	Powder Lite™ II Vest	L19Z7137	M	S - XXL	Pan-Asian Active	N/A



Component	Details	Placement	Usage	Width	Marker Width
SAP Material Code					
Binding 1	072367 Windbreaker Dyed Only Plain Weave 100% Polyester 167 X 129 50D/72F X 50D/72F Cire Back - Double MaterialCoatingNone MaterialLaminateNone 70.0 g/m2 Piece Dye/Jet NA		0.204 yd	56.0	0
Interfacing 1	006492 Interlining Non-Woven Sew-In Medium Weight. Recycled version is 110670 Interlining 70% Polyester, 30% Viscose 36.0 g/m2		0.039 yd	60.0	0
Needlepunch 1	300125 Slimtech Needlepoint 80gm m2 no scrim Non Woven 100% Polyester MaterialFinishNone 80.0 g/m2		0.039 yd	60.0	0
Insulation 1	113362 Recycled Thermarator Non Woven 100% Recycled Polyester 0.0 g/m2		0.136 kg	0.0	0
Bead 1	011001 3mm (fits single dc size 3mm) Small Hard TPU Cordlock Stopper 1 clr CANNOT BE DONE IN CLEAR COLOR White color may have a yellowing issue		2 ea	0.0	0
Drawcord-Cording-Laces 1	380083 2.5mm OD Stretch Drawcord Polyester/ 1 color Outside Diameter: 2.5		1.267 yd	0.0	0
Drawcord-Cording-Laces 2	008166 1.5mm non stretch drawcord w/ticks 2 clr (ECO version use 082935)		0.566 yd	0.0	0
Eyelets-Grommets 1	026906 SAME AS 420024 6mm ID Metal Finish Eyelet 1 clr finish. Use 059588 for enamel DTM color.		2 set	0.0	0
Label Logo 1	059197 USE ONLY FOR ALL ADULT sizes AND YOUTH S-XL 42mm x 8mm Lightweight Stripe woven ECO Hanger Loop DOWN 2 clr other colors w Director approval only		1 ea	0.0	0
Screen Print 1	025693 76mm (A) Columbia/Bug Logo Screenprint 1 clr		1 ea	0.0	0
Screen Print 2	033748 60.9mm (size A) Omni-Heat Screenprint		1 ea	0.0	0
Thread 1	079632 Coats Epic EV Tex 24		489.85 meter	0.0	0
Thread 2	008214 Coats ASTRA Spun Polyester Tex 27 40/2		286.15 meter	0.0	0
Toggle 1	031940 4.5mm ID Toggle		2 ea	0.0	0

Colorless BOM



Line Slot: Powder Lite II Vest State: Production Season: F25

Merchandise Division: Outerwear Merchandise Collection: Trail Product Class: Insulated Vest

Designer: dmaquire Developer: alicehan LO Developer: kgokul Sourcing Manager: melissa.gallagher

Fit Engineer: alicehan

Design: F4MO20869 Sample LO: 7 Production LO: India

Style	Material Style	Style Description	Pattern	Base Size	Size Scale	Fit	SMU Type
WE7352	2086975	Powder Lite™ II Vest	L19Z7137	M	S - XXL	Pan-Asian Active	N/A

Component	Details	Placement	Usage	Width	Marker Width
SAP Material Code					
Washer 1	002614 Plastic Washer (Polyurethane) (use on all Snap Stud and Post or Eyelets if needed) Clear CAN BE USED FOR YOUTH		2 ea	0.0	0
Webbing and Tape 1	360027 3/8 in Grosgrain Tape Poly 1 clr Width: 9.5		0.121 yd	0.0	0
Webbing and Tape 2	360183 3/4 in W Foldover (3/8 to show) Woven Stretch Binding 1 clr FOR CAN STYLES PRODUCED IN VN use 110808 Width: 0.75		1.226 yd	0.0	0
Zipper 1	002605 VSOL-56 DA8LH H3 OpenEnd Left-in AutoLk LargeHole AntSil Sldr/Pl. CAN BE USED FOR CHILDREN Metal content Length: 8.0		1 ea	0.0	0
Zipper 2	003711 VSC-56 DA8LH H3 Vislon Closed AutoLk LargeHole AntSilver Sldr/Pl Metal content CAN BE USED FOR YOUTH Length: 4.0		2 ea	0.0	0
Label 1	059200 40mm CSC International Size Extended Woven ECO Loop Label for use with Hanger Loop		1 ea	0.0	0
Label 2	067533 33mm Patent Care Content like 006564 ECO Booklet Fold label COO / wht/blk and Blk/White		1 ea	0.0	0
Hangtag Package Part	126966 Active Fit Swing Tag		1 ea	0.0	0
Hangtag Package Part	097088 Columbia Omni-Heat Reflective, Omni-Shield Hangtag		1 ea	0.0	0
Hangtag Package Part	121612 MSRP/UPC with RFID Specs for MSRP. Please refer to VAS specs for any exceptions. MSRP required on all product shipping to the US.		1 ea	0.0	0
Packaging 1	980001 Polybag See Standard CCS 4200 for specifications		1 ea	0.0	0
Packaging 2	980010 UPC Bag Sticker Generic (MHW/Columbia) See CCS4400/ 4401 and MHW4402 for Mt Hardware for instructions		1 ea	0.0	0
Packaging 3	064194 Outer Carton for costing purpose only		1 ea	0.0	0

This is confidential and proprietary information of Columbia Sportswear Company. You agree that you will not disclose this information to any third party or use it for any purpose other than on behalf of Columbia. You have no right to use Columbia's name or any of its trademarks, trade names, copyrights, patents, designs or other intellectual property except as set forth in writing by Columbia.

Color Specification

Line Slot: Powder Lite II Vest
 Merchandise Division: Outerwear
 Designer: dmaguire
 Fit Engineer: alicehan

Merchandise Collection: Trail
 Developer: alicehan

State: Production
 Product Class: Insulated Vest
 LO Developer: kgokul

Season: F25
 Sourcing Manager: melissa.gallagher



Design:	F4MO208697	Sample LO:		Production LO:	India		
Style	Material Style	Style Description	Pattern	Base Size	Size Scale	Fit	SMU Type
WE7352	2086975	Powder Lite™ II Vest	L19Z7137	M	S - XXL	Pan-Asian Active	N/A

Component - Material	010-Black	262-Canoe, Black	375-Rain Forest	464-Collegiate Navy	624-Rich Wine, Black
Shell 1 - 120360	Black	Canoe	Rain Forest	Collegiate Navy	Rich Wine
Shell 2 - 120360	Black	Black	Rain Forest	Collegiate Navy	Black
Lining 1 - 073148					
Lining 2 - 004476					
Lining 3 - 072367					
Binding 1 - 072367					
Drawcord-Cording-Laces 1 - 380083					
Webbing and Tape 2 - 360183					
Zipper 1 - 002605					
Zipper 2 - 003711					
Interfacing 1 - 006492	White	White	White	White	White
Needlepunch 1 - 300125	Black	Black	Grill	Collegiate Navy	Black
Insulation 1 - 113362					
Bead 1 - 011001					
Toggle 1 - 031940	Black	Black	Grill	Collegiate Navy	Black
Webbing and Tape 1 - 360027	Black, Grill	Black, Grill	Grill, Columbia Grey	Collegiate Navy, Columbia Grey	Black, Grill
Drawcord-Cording-Laces 2 - 008166	Black Nickel Finish	Black Nickel Finish	Antique Silver Finish	Black Nickel Finish	Black Nickel Finish
Eyelets-Grommets 1 - 026906	Columbia Grey, Grill	Columbia Grey, Grill	Columbia Grey, Grill	Columbia Grey, Grill	Columbia Grey, Grill
Label Logo 1 - 059197	Columbia Grey	Columbia Grey	Columbia Grey	Columbia Grey	Columbia Grey
Screen Print 1 - 025693	DTM	DTM	DTM	DTM	DTM
Screen Print 2 - 033748					
Thread 1 - 079632	Clear	Clear	Clear	Clear	Clear
Thread 2 - 008214	White, Columbia Grey, Compass Blue	White, Columbia Grey, Compass Blue	White, Columbia Grey, Compass Blue	White, Columbia Grey, Compass Blue	White, Columbia Grey, Compass Blue
Washer 1 - 002614	White, Black	White, Black	White, Black	White, Black	White, Black
Label 1 - 059200	Artwork	Artwork	Artwork	Artwork	Artwork
Label 2 - 067533					
Hangtag Package Part - 126966					
Hangtag Package Part - 097088					
Hangtag Package Part - 121612	Stock	Stock	Stock	Stock	Stock
Packaging 2 - 980010					
Packaging 1 - 980001					
Packaging 3 - 064194					

This is confidential and proprietary information of Columbia Sportswear Company. You agree that you will not disclose this information to any third party or use it for any purpose other than on behalf of Columbia. You have no right to use Columbia's name or any of its trademarks, trade names, copyrights, patents, designs or other intellectual property except as set forth in writing by Columbia.

Costing BOM

Line Slot: Powder Lite II Vest State: Production Season: F25
 Merchandise Division: Outerwear Merchandise Collection: Trail Product Class: Insulated Vest
 Designer: dmaguire Developer: alicehan LO Developer: kgokul Sourcing Manager: melissa.gallagher
 Fit Engineer: alicehan

Design: F4MO208697 Sample LO: Production LO: India
 Style Material Style Style Description Pattern Base Size Size Scale Fit SMU Type
 WE7352 2086975 Powder Lite™ II Vest L19Z7137 M S - XXL Pan-Asian Active N/A



Colorway Number	Color Way	FOB Material	CIF Material	FOB Trim	CIF Trim	Allowance %	Total FOB	Total CIF
010	Black	4.470	0.000	1.888	0.000	0.0	6.358	0.000
262	Canoe, Black	4.470	0.000	1.888	0.000	0.0	6.358	0.000
375	Rain Forest	4.470	0.000	1.888	0.000	0.0	6.358	0.000
464	Collegiate Navy	4.470	0.000	1.888	0.000	0.0	6.358	0.000
624	Rich Wine, Black	4.470	0.000	1.888	0.000	0.0	6.358	0.000

Costing BOM

Line Slot: Powder Lite II Vest
 Merchandise Division: Outerwear
 Designer: dmaguire
 Fit Engineer: alicehan

Merchandise Collection: Trail
 Developer: alicehan

State: Production
 Product Class: Insulated Vest
 LO Developer: kgokul

Season: F25
 Sourcing Manager: melissa.gallagher



Design:	F4MO208697	Sample LO:		Production LO:	India		
Style	Material Style	Style Description	Pattern	Base Size	Size Scale	Fit	SMU Type
WE7352	2086975	Powder Lite™ II Vest	L19Z7137	M	S - XXL	Pan-Asian Active	N/A

Component	Material	Description	Fabric Width	Supplier	Locked	Country of Origin	Managin g Liaison Office	UoM	Target Cost	FOB Unit Cost	CIF Unit Cost	Usage	Wastage %	Total FOB	Total CIF
Shell 1	120360	PFC Free Version of 053534 Omni Shield Storm Lite DP II (Dull Face)	57.0	YOUNGO NE CORPOR ATION-- Fabric division	Y	Banglade sh	India	yd	0.0	1.73	0.0	0.572	3	1.019	0.000
Shell 2	120360	PFC Free Version of 053534 Omni Shield Storm Lite DP II (Dull Face)	57.0	YOUNGO NE CORPOR ATION-- Fabric division	Y	Banglade sh	India	yd	0.0	1.73	0.0	0.262	5	0.476	0.000
Lining 1	073148	Windbreaker Cire Face Better OHR foil print Lining	56.0	Shanghai Jiuyu Textile Technolo gy Co Ltd	N	China	Taiwan- Taipei	yd	2.08	1.93	0.0	0.892	3	1.773	0.000

Costing BOM

Line Slot: Powder Lite II Vest
 Merchandise Division: Outerwear
 Designer: dmaguire
 Fit Engineer: alicehan

Merchandise Collection: Trail
 Developer: alicehan

State: Production
 Product Class: Insulated Vest
 LO Developer: kgokul

Season: F25
 Sourcing Manager: melissa.gallagher



Design: F4MO208697
 Style WE7352
 Material Style 2086975

Sample LO:
 Style Description Pattern
 Powder Lite™ II L19Z7137
 Vest

Production LO: India
 Base Size M
 Size Scale S - XXL
 Fit Pan-Asian Active
 SMU Type N/A

Component	Material	Description	Fabric Width	Supplier	Locked	Country of Origin	Managin g Liaison Office	UoM	Target Cost	FOB Unit Cost	CIF Unit Cost	Usage	Wastage %	Total FOB	Total CIF
Lining 2	004476	FOR POCKETING AND YOUTH STYLES ONLY Chamois Touch Tricot	60.0	Haren Textiles Pvt. Ltd.	Y	India	India	yd	0.0	0.68	0.0	0.349	7	0.254	0.000
Lining 3	072367	Windbreaker Dyed Only	56.0	Shanghai Jiuyu Textile Technology Co Ltd	N	China	Taiwan-Taipei	yd	1.15	1.0	0.0	0.175	5	0.184	0.000
Binding 1	072367	Windbreaker Dyed Only	56.0	Shanghai Jiuyu Textile Technology Co Ltd	N	China	Taiwan-Taipei	yd	1.15	1.0	0.0	0.204	5	0.214	0.000
Interfacing 1	006492	Interlining Non-Woven Sew-In Medium Weight. Recycled version is 110670	60.0	PCC asia LLC	N	China	India	yd	0.0	0.32	0.0	0.039	3	0.013	0.000

Costing BOM

Line Slot: Powder Lite II Vest
 Merchandise Division: Outerwear
 Designer: dmaguire
 Fit Engineer: alicehan

Merchandise Collection: Trail
 Developer: alicehan

State: Production
 Product Class: Insulated Vest
 LO Developer: kgokul

Season: F25
 Sourcing Manager: melissa.gallagher



Design: F4MO208697
 Style WE7352
 Material Style 2086975

Sample LO:
 Style Description Pattern
 Powder Lite™ II L19Z7137
 Vest

Production LO: India
 Base Size M
 Size Scale S - XXL
 Fit Pan-Asian Active
 SMU Type N/A

Component	Material	Description	Fabric Width	Supplier	Locked	Country of Origin	Managin g Liaison Office	UoM	Target Cost	FOB Unit Cost	CIF Unit Cost	Usage	Wastage %	Total FOB	Total CIF
Needlepunch 1	300125	Slimtech Needlepunch 80gm m2 no scrim	60.0	Everpia	Y	Vietnam	Taiwan-Taipei	yd	0.0	0.5	0.0	0.039	3	0.020	0.000
Insulation 1	113362	Recycled Therमारator	0.0	YOUNGO NE CORPOR ATION-- Insulation	Y	Banglade sh	India	kg	0.0	3.8	0.0	0.136	0	0.517	0.000
Bead 1	011001	3mm (fits single dc size 3mm) Small Hard TPU Cordlock Stopper 1 clr CANNOT BE DONE IN CLEAR COLOR White color may have a yellowing issue	0.0	FGV - Shahi Exports Pvt. (SEP) Ltd.	Y	India	India	ea	0.0	0.027	0.0	2.000	2.0	0.055	0.000

Costing BOM

Line Slot: Powder Lite II Vest
 Merchandise Division: Outerwear
 Designer: dmaguire
 Fit Engineer: alicehan

Merchandise Collection: Trail
 Developer: alicehan

State: Production
 Product Class: Insulated Vest
 LO Developer: kgokul

Season: F25
 Sourcing Manager: melissa.gallagher



Design: F4MO208697
 Style WE7352
 Material Style 2086975

Sample LO:
 Style Description Pattern
 Powder Lite™ II L19Z7137
 Vest

Production LO: India
 Base Size M
 Size Scale S - XXL
 Fit Pan-Asian Active
 SMU Type N/A

Component	Material	Description	Fabric Width	Supplier	Locked	Country of Origin	Managing Liaison Office	UoM	Target Cost	FOB Unit Cost	CIF Unit Cost	Usage	Wastage %	Total FOB	Total CIF
Drawcord-Cording-Laces 1	380083	2.5mm OD Stretch Drawcord Polyester/ 1 color	0.0	Paiho Global	N	Taiwan	Taiwan-Taipei	yd	0.0	0.058	0.0	1.267	7.0	0.079	0.000
Drawcord-Cording-Laces 2	008166	1.5mm non stretch drawcord w/ticks 2 clr (ECO version use 082935)	0.0	Paiho Global	N	Taiwan	Taiwan-Taipei	yd	0.0	0.049	0.0	0.566	7.0	0.030	0.000
Eyelets-Grommets 1	026906	SAME AS 420024 6mm ID Metal Finish Eyelet 1 clr finish. Use 059588 for enamel DTM color.	0.0	Unitex International Button Accessories Ltd	N	China	Portland	set	0.01	0.0129	0.0	2.000	3.0	0.027	0.000

Costing BOM

Line Slot: Powder Lite II Vest
 Merchandise Division: Outerwear
 Designer: dmaguire
 Fit Engineer: alicehan

Merchandise Collection: Trail
 Developer: alicehan

State: Production
 Product Class: Insulated Vest
 LO Developer: kgokul

Season: F25
 Sourcing Manager: melissa.gallagher



Design: F4MO208697
 Style WE7352
 Material Style 2086975

Sample LO:
 Style Description Pattern
 Powder Lite™ II L19Z7137
 Vest

Production LO: India
 Base Size M
 Size Scale S - XXL
 Fit Pan-Asian Active
 SMU Type N/A

Component	Material	Description	Fabric Width	Supplier	Locked	Country of Origin	Managing Liaison Office	UoM	Target Cost	FOB Unit Cost	CIF Unit Cost	Usage	Wastage %	Total FOB	Total CIF
Label Logo 1	059197	USE ONLY FOR ALL ADULTSIZES AND YOUTH S-XL 42mm x 8mm Lightweight Stripe woven ECO Hanger Loop DOWN 2 clr other colors w Director approval only	0.0	Avery Dennison Global	N	China	Portland	ea	0.0	0.024	0.0	1.000	5.0	0.025	0.000
Screen Print 1	025693	76mm (A) Columbia/Bug Logo Screenprint 1 clr	0.0	FGV Sourced	N	unassigned	Portland	ea	0.0	0.0	0.0	1.000	2.0	0.000	0.000
Screen Print 2	033748	60.9mm (size A) Omni-Heat Screenprint	0.0	FGV - APPARELTECH CO (ATC). LTD.	N	unassigned	Korea	ea	0.0	0.0	0.0	1.000	2.0	0.000	0.000

Costing BOM

Line Slot: Powder Lite II Vest
 Merchandise Division: Outerwear
 Designer: dmaguire
 Fit Engineer: alicehan

Merchandise Collection: Trail
 Developer: alicehan

State: Production
 Product Class: Insulated Vest
 LO Developer: kgokul

Season: F25
 Sourcing Manager: melissa.gallagher



Design: F4MO208697
 Style Material Style WE7352
 2086975

Sample LO:
 Style Description Pattern
 Powder Lite™ II L19Z7137
 Vest

Production LO: India
 Base Size M
 Size Scale S - XXL
 Fit Pan-Asian Active
 SMU Type N/A

Component	Material	Description	Fabric Width	Supplier	Locked	Country of Origin	Managing Liaison Office	UoM	Target Cost	FOB Unit Cost	CIF Unit Cost	Usage	Wastage %	Total FOB	Total CIF
Thread 1	079632	Coats Epic EV Tex 24	0.0	Coats Global Thread	N	unassigned	Portland	meter	0.0	0.00048	0.0	489.850	5.0	0.247	0.000
Thread 2	008214	Coats ASTRA Spun Polyester Tex 27 40/2	0.0	Coats Global Thread	N	unassigned	Portland	meter	0.0	0.0003	0.0	286.150	5.0	0.090	0.000
Toggle 1	031940	4.5mm ID Toggle	0.0	FGV - Shahi Exports Pvt. (SEP) Ltd.	Y	unassigned	India	ea	0.0	0.066	0.0	2.000	2.0	0.135	0.000
Washer 1	002614	Plastic Washer (Polyurethane) (use on all Snap Stud and Post or Eyelets if needed) Clear CAN BE USED FOR YOUTH	0.0	Unitex International Button Accessories Ltd	N	China	Portland	ea	0.0	0.00559	0.0	2.000	3.0	0.012	0.000

Costing BOM

Line Slot: Powder Lite II Vest
 Merchandise Division: Outerwear
 Designer: dmaguire
 Fit Engineer: alicehan

Merchandise Collection: Trail
 Developer: alicehan

State: Production
 Product Class: Insulated Vest
 LO Developer: kgokul

Season: F25
 Sourcing Manager: melissa.gallagher



Design: F4MO208697
 Style Material Style WE7352
 2086975

Sample LO:
 Style Description Pattern
 Powder Lite™ II L19Z7137
 Vest

Production LO: India
 Base Size M
 Size Scale S - XXL
 Fit Pan-Asian Active
 SMU Type N/A

Component	Material	Description	Fabric Width	Supplier	Locked	Country of Origin	Managin g Liaison Office	UoM	Target Cost	FOB Unit Cost	CIF Unit Cost	Usage	Wastage %	Total FOB	Total CIF
Webbing and Tape 1	360027	3/8 in Grosgrain Tape Poly 1 clr	0.0	FGV - Shahi Exports Pvt. (SEP) Ltd.	Y	India	India	yd	0.0	0.059	0.0	0.121	7.0	0.008	0.000
Webbing and Tape 2	360183	3/4 in W Foldover (3/8 to show) Woven Stretch Binding 1 clr FOR CAN STYLES PRODUCED IN VN use 110808	0.0	Paiho Global	N	Taiwan	Taiwan-Taipei	yd	0.0	0.16	0.0	1.226	7.0	0.210	0.000
Zipper 1	002605	VSOL-56 DA8LH H3 OpenEnd Left-in AutoLk LargeHole AntSil Sldr/Pl. CAN BE USED FOR CHILDREN Metal content	0.0	YKK Global	Y	unassigne d	Portland	ea	0.0	0.2198	0.0	1.000	1.0	0.370	0.000

Costing BOM

Line Slot: Powder Lite II Vest
 Merchandise Division: Outerwear
 Designer: dmaguire
 Fit Engineer: alicehan

Merchandise Collection: Trail
 Developer: alicehan

State: Production
 Product Class: Insulated Vest
 LO Developer: kgokul

Season: F25
 Sourcing Manager: melissa.gallagher



Design: F4MO208697
 Style WE7352
 Material Style 2086975

Sample LO:
 Style Description Pattern
 Powder Lite™ II L19Z7137
 Vest

Production LO: India
 Base Size M
 Size Scale S - XXL
 Fit Pan-Asian Active
 SMU Type N/A

Component	Material	Description	Fabric Width	Supplier	Locked	Country of Origin	Managin g Liaison Office	UoM	Target Cost	FOB Unit Cost	CIF Unit Cost	Usage	Wastage %	Total FOB	Total CIF
Zipper 2	003711	VSC-56 DA8LH H3 Vislon Closed AutoLk LargeHole AntSilver Sldr/Pl Metal content CAN BE USED FOR YOUTH	0.0	YKK Global	N	Taiwan	Portland	ea	0.0	0.1649	0.0	2.000	1.0	0.406	0.000
Label 1	059200	40mm CSC International Size Extended Woven ECO Loop Label for use with Hanger Loop	0.0	Avery Dennison Global	N	China	Portland	ea	0.0	0.05714	0.0	1.000	3.0	0.059	0.000
Label 2	067533	33mm Patent Care Content like 006564 ECO Booklet Fold label COO / wht/blk and Blk/White	0.0	Avery Dennison Global	N	China	Portland	ea	0.0	0.01881	0.0	1.000	3.0	0.019	0.000

Costing BOM

Line Slot: Powder Lite II Vest
 Merchandise Division: Outerwear
 Designer: dmaguire
 Fit Engineer: alicehan

Merchandise Collection: Trail
 Developer: alicehan

State: Production
 Product Class: Insulated Vest
 LO Developer: kgokul

Season: F25
 Sourcing Manager: melissa.gallagher



Design: F4MO208697
 Style: Material Style
 WE7352 2086975

Sample LO:
 Style Description: Powder Lite™ II Vest
 Pattern: L19Z7137

Production LO: India
 Base Size: M
 Size Scale: S - XXL

Fit: Pan-Asian Active
 SMU Type: N/A

Component	Material	Description	Fabric Width	Supplier	Locked	Country of Origin	Managing Liaison Office	UoM	Target Cost	FOB Unit Cost	CIF Unit Cost	Usage	Wastage %	Total FOB	Total CIF
Hangtag Package Part	126966	Active Fit Swing Tag	0.0	Hang Sang Press Co. Ltd	N	unassigned	Portland	ea	0.0	0.023	0.0	1.000	3.0	0.024	0.000
Hangtag Package Part	097088	Columbia Omni-Heat Reflective, Omni-Shield Hangtag	0.0	Hang Sang Press Co. Ltd	N	unassigned	Portland	ea	0.0	0.0287	0.0	1.000	3.0	0.030	0.000
Hangtag Package Part	121612	MSRP/UPC with RFID Specs for MSRP. Please refer to VAS specs for any exceptions. MSRP required on all product shipping to the US.	0.0	Avery Dennison Global	N	unassigned	Portland	ea	0.0	0.04875	0.0	1.000	5.0	0.051	0.000

Costing BOM

Line Slot: Powder Lite II Vest
 Merchandise Division: Outerwear
 Designer: dmaguire
 Fit Engineer: alicehan

Merchandise Collection: Trail
 Developer: alicehan

State: Production
 Product Class: Insulated Vest
 LO Developer: kgokul

Season: F25
 Sourcing Manager: melissa.gallagher



Design: F4MO208697
 Style WE7352
 Material Style 2086975

Sample LO:
 Style Description Pattern
 Powder Lite™ II L19Z7137
 Vest

Production LO: India
 Base Size M
 Size Scale S - XXL
 Fit Pan-Asian Active
 SMU Type N/A

Component	Material	Description	Fabric Width	Supplier	Locked	Country of Origin	Managing Liaison Office	UoM	Target Cost	FOB Unit Cost	CIF Unit Cost	Usage	Wastage %	Total FOB	Total CIF
Packaging 1	980001	Polybag See Standard CCS 4200 for specifications	0.0	Contractor	N	unassigned	Hong Kong	ea	0.0	0.0	0.0	1.000	3.0	0.000	0.000
Packaging 2	980010	UPC Bag Sticker Generic (MHW/Columbia) See CCS4400/4401 and MHW4402 for Mt Hardware for instructions	0.0	Avery Dennison Global	Y	China	Portland	ea	0.0	0.01089	0.0	1.000	5.0	0.011	0.000
Packaging 3	064194	Outer Carton for costing purpose only	0.0	Contractor	N	unassigned	Hong Kong	ea	0.0	0.0	0.0	1.000	3.0	0.000	0.000

Costing BOM

Line Slot: Powder Lite II Vest		State: Production		Season: F25			
Merchandise Division: Outerwear		Merchandise Collection: Trail		Product Class: Insulated Vest			
Designer: dmaguire		Developer: alicehan		LO Developer: kgokul			
Fit Engineer: alicehan				Sourcing Manager: melissa.gallagher			
Design:	F4MO208697	Sample LO:		Production LO:	India		
Style	Material Style	Style Description	Pattern	Base Size	Size Scale	Fit	SMU Type
WE7352	2086975	Powder Lite™ II Vest	L19Z7137	M	S - XXL	Pan-Asian Active	N/A



This is confidential and proprietary information of Columbia Sportswear Company. You agree that you will not disclose this information to any third party or use it for any purpose other than on behalf of Columbia. You have no right to use Columbia's name or any of its trademarks, trade names, copyrights, patents, designs or other intellectual property except as set forth in writing by Columbia.

Care Report

Line Slot: Powder Lite II Vest		State: Production		Season: F25			
Merchandise Division: Outerwear		Merchandise Collection: Trail		Product Class: Insulated Vest			
Designer: dmaquire		Developer: alicehan		LO Developer: kgokul			
Fit Engineer: alicehan				Sourcing Manager: melissa.gallagher			
Design:	F4MO208697	Sample LO:		Production LO:	India		
Style	Material Style	Style Description	Pattern	Base Size	Size Scale	Fit	SMU Type
WE7352	2086975	Powder Lite™ II Vest	L19Z7137	M	S - XXL	Pan-Asian Active	N/A



Care Code: 1207		Color Way Number	Color Way Name
English	If present Close Hook and Loop Fastener, Use front loading, Machine Wash Cold Gentle, Gentle cycle, Down detergent recommended, Rinse Thoroughly, Wash Separately, Do Not Bleach, Tumble dry low with 2-3 clean tennis balls to restore fluff, Dry thoroughly, might require multiple cycles, Remove Promptly, Do Not Iron, Do Not Use Fabric Softener, Do Not Dryclean	010	Black
French	Le cas échéant, fermer la fermeture Velcro, Utiliser une machine à laver à chargement frontal, Lavage machine à froid, Cycle délicat, Cycle doux, en utilisant la lessive spéciale pour des articles en plumes, Rincer abondamment, Laver séparément, Ne pas utiliser d'eau de javel, Séchage machine à basse température avec 2-3 balles de tennis pour rétablir la peluche. , Secher complètement, plusieurs cycles peuvent être nécessaires. , Sortir immédiatement de la machine, Ne pas repasser, Ne pas utiliser d'assouplissant, Nettoyage à sec interdit	262	Canoe, Black
		375	Rain Forest
		464	Collegiate Navy
German	Falls vorhanden, Klettverschluss schließen, Frontlader-Waschmaschine benutzen, Schonwaschgang mit kaltem Wasser, Schonwaschgang, Feinwaschmittel empfohlen, Gründlich ausspülen, Separat waschen, Keine Bleichmittel verwenden, Trocknen im Wäschetrockner bei niedriger Temperatur mit 2 - 3 Tennisbällen zur Wiederherstellung der Lockerheit, Gründlich trocknen, mehrere Trocknerdurchgänge könnten notwendig sein, Sofort aus dem Trockner nehmen, Nicht bügeln, Keine Weichspüler verwenden, Nicht chemisch reinigen	624	Rich Wine, Black
Portuguese	Se presente, fechar o gancho e prendedor do cordão, Usar máquina de lavar roupa de carga frontal, Lavar à maquina com água fria, ciclo para roupas delicadas, Ciclo delicado. Recomenda-se o uso de detergente próprio para roupa com enchimento de penugem, Enxaguar bem, Lavar separadamente, Não alvejar, Secar em tambor rotativo a baixa temperatura com 2 ou 3 bolas de ténis para recuperar o amaciamento. , Secar bem, pode necessitar de vários ciclos., Remover prontamente, Não passar a ferro, Não usar amaciante, Não utilizar limpeza a seco		
Spanish	En su caso, cierre el velcro, Utilizar una lavadora de carga frontal, Lavar a maquina con agua fría, en ciclo delicado, Ciclo delicado. Se recomienda el uso de detergente para plumón., Enjuagar bien, Lavar por separado, No usar lejía, Usar secadora a temperatura baja con 2 o 3 pelotas de tenis para ahuecar el plumón., Secar completamente; puede necesitar múltiples ciclos., Retirar inmediatamente, No planchar, No usar suavizante de telas, No lavar en seco		
Italian	Se presente, chiudere la chiusura a strappo, Utilizzare una lavatrice a carico frontale, Lavare in lavatrice in acqua fredda, ciclo delicato, Ciclo delicato, si consiglia un detergente per piumino, Sciacquare abbondantemente, Lavare separatamente, Non candeggiare, Asciugare a tamburo a bassa temperatura con 2-3 palline da tennis pulite per ripristinare la voluminosità., Asciugare completamente, potrebbero essere necessari più cicli., Rimuovere tempestivamente, Non stirare, Non utilizzare ammorbidente, Non lavare a secco		
Russian	Если есть, застегнуть крючки, Используйте переднее загружающую стиральную машину, Щадящая машинная стирка в холодной воде, Щадящий режим, рекомендуется использовать средство для стирки пуховых изделий, Полоскать тщательно, Стирать отдельно, Не отбеливать, Сушите при низкой температуре, положив в барабан 2–3 чистых теннисных мячика, чтобы предотвратить скатывание пуха., Для тщательной сушки может потребоваться несколько циклов., Сразу убрать из сушилки, Не гладить, Не использовать кондиционер для тканей, Химчистка запрещена		
Czech Republican	Zapnout háčky a zipy, jsou-li přítomny, Použit přední plnění, Praní v pračce při nízké teplotě, jemný cyklus, Doporučen jemný cyklus a práci prostředek na péči, Důkladně vymáchat, Prát samostatně, Nebělit, Sušení v sušičce při nízké teplotě, se 2–3 čistými tenisovými míčky kvůli načechrání., Důkladně vysušit, může vyžadovat více cyklů., Ihned odepnout, Nežehlit, Nepoužívat aviváž, Nečistit chemicky		
Hebrew	אם ישנו, לסגור את הצמדן, להשתמש בפתח קדמי, כביסה במכונה במים קרים, כביסה עדינה, מחזור כביסה עדינה, מומלץ להשתמש במרכז כביסה לפרך, לשטוף ביסודיות, לכבס בנפרד, לא להלבין, לייבש במייבש כביסה בחום נמוך עם 2-3 כדורי טניס נקיים כדי להחזיר את התפוחה. , יש לייבש ביסודיות. ייתכן שידרושו מספר מחזורי ייבוש, להסיר מיד, לא לגהץ, לא להשתמש במרכז כביסה, לא לנקות בניקוי יבש		
Hungarian	Ha van az anyagon tépőzár, zárja be, Előltöltős mosógépet használjon, Géppel mossa, hideg vízzel, kímélő programmal, Kímélő program és tollpíhéhez való mosószer használata javasolt, Alaposan öblítse ki, Különválasztva mossa, Ne használjon fehérítőt, Szárítógépben alacsony hőfokon szárítsa 2-3 teniszlabdával, hogy ne csomósodjon a töltet., Alaposan szárítsa, ehhez előfordulhat, hogy több ciklusra is szükség lesz., Mosás után azonnal vegye ki a gépből, Ne vasalja, Ne használjon öblítőszer, Ne vegytisztítsa		
Polish	Zapiąć rzepy, jeśli są obecne., Stosować ładowanie z przodu, Prac w temperaturze nie przekraczającej 30°C, cykl delikatny, Zalecany jest delikatny cykl i detergent do odzieży puchowej, Spłukać dokładnie, Prac oddzielnie, Nie chlorować, Wysuszyć w suszarce bębnowej z 2–3 czystymi piłeczkami tenisowymi w celu przywrócenia puszystości. , Wysuszyć dokładnie, co może wymagać kilku cykli., Natychmiast usunąć, Nie prasować, Nie używać zmiękczacza do tkanin, Nie czyścić chemicznie		

Care Report

Line Slot: Powder Lite II Vest
 Merchandise Division: Outerwear
 Designer: dmaguire
 Fit Engineer: alicehan

Merchandise Collection: Trail
 Developer: alicehan

State: Production
 Product Class: Insulated Vest
 LO Developer: kgokul

Season: F25
 Sourcing Manager: melissa.gallagher



Design:	F4MO208697	Sample LO:		Production LO:	India		
Style	Material Style	Style Description	Pattern	Base Size	Size Scale	Fit	SMU Type
WE7352	2086975	Powder Lite™ II Vest	L19Z7137	M	S - XXL	Pan-Asian Active	N/A

French Canadian

Le cas échéant, fermer les fermetures autoagrippant, Utiliser une machine à laver à chargement frontal, Laver à la machine à l'eau froide, cycle délicat, Cycle délicat, détergent pour duvet recommandé, Rincer soigneusement, Laver séparément, Ne pas utiliser d'agent de blanchiment, Séchage par culbutage à basse température avec 2 ou 3 balles de tennis propres pour rétablir le volume, Sécher soigneusement, peut exiger plusieurs cycles, Retirer aussitôt sec, Ne pas repasser, Ne pas utiliser d'assouplisseur, Ne pas nettoyer à sec



Content Report

Line Slot: Powder Lite II Vest	State: Production	Season: F25
Merchandise Division: Outerwear	Merchandise Collection: Trail	Product Class: Insulated Vest
Designer: dmaguire	Developer: alicehan	LO Developer: kgokul
Fit Engineer: alicehan		Sourcing Manager: melissa.gallagher
Design: F4MO208697	Sample LO:	Production LO: India
Style WE7352	Material Style 2086975	Style Description Powder Lite™ II Vest
	Pattern L19Z7137	Base Size M
		Size Scale S - XXL
		Fit Pan-Asian Active
		SMU Type N/A



CONTENT CODE: OZ7		Color Way Number	Color Way Name
Shell: 100% Polyester		010	Black
Lining: 100% Polyester		464	Collegiate Navy
Insulation: 100% Recycled Polyester Exclusive of Trimming		262	Canoe, Black
FRENCH	Extérieur: 100% Polyester	375	Rain Forest
	Doublure: 100% Polyester		
	Isolation: 100% Polyester recyclé Sauf les bordures		
GERMAN	Außenhülle: 100% Polyester	624	Rich Wine, Black
	Futter: 100% Polyester		
	Isolierung: 100% Recycled Polyester Ohne Besatz		
PORTUGUESE	Exterior: 100% Poliéster		
	Revestimento: 100% Poliéster		
	Isolamento: 100% Poliéster reciclado Sem orlas		
SPANISH	Cubierta: 100% Poliéster		
	Revestimiento: 100% Poliéster		
	Aislamiento: 100% Poliéster reciclado Exclusivo de los ribetes		
ITALIAN	Guscio esterno: 100% Poliestere		
	Fodera: 100% Poliestere		
	Isolante: 100% Poliestere riciclato Ad eccezione dei bordini		
RUSSIAN	Оболочка: 100% Полиэфир		
	Подклад: 100% Полиэфир		
	Утеплитель : 100% Утилизированный полиэфир Без дополнительных деталей		
CZECH REPUBLICAN	Skořepina: 100% Polyester		
	Podšívka: 100% Polyester		
	Izolace: 100% Recyklovaný polyester Bez nášivek		
HEBREW	מעטפת חיצונית: 100% פוליאסטר		
	בטנה: 100% פוליאסטר		
	בידוד: 100% פוליאסטר ממוחזר ללא קישוט		
HUNGARIAN	Külső: 100% Poliészter		
	Bélés: 100% Poliészter		
	Bélés: 100% Újrahasznosított poliészter Szegélydiszen kívül		
POLISH	Powłoka: 100% Poliester		
	Podszewka: 100% Poliester		
	Izolacja: 100% Poliester z recyklingu Wylęczając naszywki		

Content Report

Line Slot: Powder Lite II Vest	State: Production	Season: F25					
Merchandise Division: Outerwear	Merchandise Collection: Trail	Product Class: Insulated Vest					
Designer: dmaguire	Developer: alicehan	LO Developer: kgokul					
Fit Engineer: alicehan		Sourcing Manager: melissa.gallagher					
Design: F4MO208697	Sample LO:	Production LO: India					
Style WE7352	Material Style 2086975	Style Description Powder Lite™ II Vest	Pattern L19Z7137	Base Size M	Size Scale S - XXL	Fit Pan-Asian Active	SMU Type N/A



PORTUGUESE BRAZIL	Exterior: Forro: Isolamento:	100% Poliéster 100% Poliéster 100% Poliéster reciclado Sem adornos
SLOVAKIAN	Plášť: Podšívka: Izolácia:	100% Polyester 100% Polyester 100% Recyklovaný polyester Okrem lemovania
SLOVENIAN	Lupina: Podloga: Izolacija:	100% Poliester 100% Poliester 100% Reciklirani poliester Brez obrezovanja
SPANISH LATIN AMERICAN	Cubierta: Revestimiento: Aislamiento:	100% Poliéster 100% Poliéster 100% Poliéster reciclado Exclusivo de los ribetes
TURKISH	Kabuk: Astar: Yalitim:	100% Polyester 100% Polyester 100% Geri Dönüşümlü Polyester Süsler Hariç
CHINESE SIMPLIFIED	外壳: 衬里: 绝缘:	100% 聚酯 100% 聚酯 100% 可回收聚酯纤维 不包括装饰品
CHINESE TRADITIONAL	外殼: 襯裡: 絕緣:	100% 聚酯 100% 聚酯 100% 可回收聚酯纖維 不包括裝飾品
JAPANESE	シェル: 裏地: 断熱材:	100% ポリエステル 100% ポリエステル 100% リサイクルポリエステル 装飾品を除く
KOREAN	: : :	100% 100% 100%
DANISH	Skal: Foring: Isolering:	100% Polyester 100% Polyester 100% Genbrugt polyester Inkluderer ikke kant

Content Report

Line Slot: Powder Lite II Vest		State: Production		Season: F25			
Merchandise Division: Outerwear	Merchandise Collection: Trail	Product Class: Insulated Vest					
Designer: dmaguire	Developer: alicehan	LO Developer: kgokul		Sourcing Manager: melissa.gallagher			
Fit Engineer: alicehan							
Design:	F4MO208697	Sample LO:	Production LO: India				
Style	Material Style	Style Description	Pattern	Base Size	Size Scale	Fit	SMU Type
WE7352	2086975	Powder Lite™ II Vest	L19Z7137	M	S - XXL	Pan-Asian Active	N/A



NORWEGIAN	Skall: 100% Polyester Foring: 100% Polyester Isolasjon: 100% Resirkulert polyester Eksklusiv trimming
SWEDISH	Ytterdel: 100% Polyester Foder: 100% Polyester Isolering: 100% Återvunnen polyester Utan trimming
DUTCH	Schelp: 100% Polyester Bekleding: 100% Polyester Isolatie: 100% Gerecyclede polyester Exclusief trimmen
FRENCH CANADIAN	Extérieur: 100% Polyester Doubleure: 100% Polyester Isolant: 100% Polyester recyclé Exclut les bordures

Pattern Piece Detail

Line Slot: Powder Lite II Vest		State: Production		Season: F25			
Merchandise Division: Outerwear	Merchandise Collection: Trail	Product Class: Insulated Vest					
Designer: dmaguire	Developer: alicehan	LO Developer: kgokul		Sourcing Manager: melissa.gallagher			
Fit Engineer: alicehan							
Design:	F4MO20869 7	Sample LO:	Production LO:	India			
Style	Material Style	Style Description	Pattern	Base Size	Size Scale	Fit	SMU Type
WE7352	2086975	Powder Lite™ II Vest	L19Z7137	M	S - XXL	Pan-Asian Active	N/A



L19Z7137 - F19 WE0847

Component	Quantity	Long Description	Abbreviation	Code
-----------	----------	------------------	--------------	------

This is confidential and proprietary information of Columbia Sportswear Company. You agree that you will not disclose this information to any third party or use it for any purpose other than on behalf of Columbia. You have no right to use Columbia's name or any of its trademarks, trade names, copyrights, patents, designs or other intellectual property except as set forth in writing by Columbia.

Measurements

Line Slot: Powder Lite II Vest
 Merchandise Division: Outerwear
 Designer: dmaguire
 Fit Engineer: alicehan

Merchandise Collection: Trail
 Developer: alicehan

State: Production
 Product Class: Insulated Vest
 LO Developer: kgokul

Season: F25
 Sourcing Manager: melissa.gallagher



Design:	F4MO208697	Sample LO:		Production LO:	India		
Style	Material Style	Style Description	Pattern	Base Size	Size Scale	Fit	SMU Type
WE7352	2086975	Powder Lite™ II Vest	L19Z7137	M	S - XXL	Pan-Asian Active	N/A

Sort Order	Use	Type	Placement	(+/-)	S	M	L	XL	XXL	
Grade Rule: CSC Pan Asian Mens Outerwear Tops - XS-XXXL (M) - Block: null										
1101.0	CHEST WIDTH - circumference - 1 inch down from armhole seam	QC	Graded		1.0	40.0	42.0	44.0	46.0	48.0
1301.0	WAIST WIDTH POSITION - from CB neck seam		Graded		0.0	17.5	18.0	18.5	19.0	19.5
1400.0	WAIST WIDTH - circumference	QC	Graded		1.0	39.0	41.0	43.0	45.0	47.0
1610.0	SWEEP WIDTH - circumference	QC	Graded		1.0	39.0	41.0	43.0	45.0	47.0
2002.0	BACK BODY LENGTH - CB neck to edge of hem	QC	Graded		0.5	26.0	27.0	28.0	29.0	30.0
2203.0	SHOULDER WIDTH - Natural Shoulder - seam to seam	QC	Graded		0.5	16.0	16.75	17.5	18.25	19.0
2504.0	ARMHOLE (Relaxed) - circumference	QC	Graded		0.5	20.25	20.75	21.375	22.0	22.625
2505.0	ARMHOLE (Extended) - circumference	QC	Graded		0.5	21.25	21.75	22.375	23.0	23.625
2580.0	SIDE SEAM LENGTH - armhole edge to hem edge	QC	Graded		0.25	15.25	16.0	16.625	17.375	18.125
3450.0	NECK CIRCUMFERENCE - at seam	QC	Graded		0.25	19.625	20.0	20.375	20.875	21.375
3600.0	COLLAR LENGTH - at top	QC	Graded		0.25	20.125	20.5	20.875	21.375	21.875
3650.0	COLLAR HEIGHT - at CB	QC	Graded		0.125	3.25	3.25	3.25	3.25	3.25
3651.0	COLLAR HEIGHT - at CF	QC	Graded		0.125	3.0	3.0	3.0	3.0	3.0
9950.0	TOTAL DOWN WEIGHT - in grams	QC	Varies By Style		0.0	110.0	120.0	130.0	140.0	150.0
9952.0	TOTAL GARMENT WEIGHT - in grams	QC	Varies By Style		0.0	360.0	370.0	380.0	390.0	400.0
930.0	Drawcord-Cording-Laces 1		Component		0.0	42.0	44.0	46.0	48.0	50.0

Measurements

Line Slot: Powder Lite II Vest		State: Production		Season: F25			
Merchandise Division: Outerwear	Merchandise Collection: Trail	Product Class: Insulated Vest					
Designer: dmaguire	Developer: alicehan	LO Developer: kgokul		Sourcing Manager: melissa.gallagher			
Fit Engineer: alicehan							
Design:	F4MO208697	Sample LO:		Production LO:	India		
Style	Material Style	Style Description	Pattern	Base Size	Size Scale	Fit	SMU Type
WE7352	2086975	Powder Lite™ II Vest	L19Z7137	M	S - XXL	Pan-Asian Active	N/A



Sort Order		Use	Type	Placement	(+/-)	S	M	L	XL	XXL
960.0	Drawcord-Cording-Laces 2		Component		0.0	7.0	7.0	7.0	7.0	7.0
3190.0	Webbing and Tape 1		Component		0.0	2.25	2.25	2.25	2.25	2.25
3210.0	Webbing and Tape 2		Component		0.0	22.0	22.5	23.125	23.75	24.375
3670.0	Zipper 1		Component		0.0	26.0	27.0	28.0	29.0	30.0
3690.0	Zipper 2		Component		0.0	8.0	8.0	8.5	8.5	9.0

This is confidential and proprietary information of Columbia Sportswear Company. You agree that you will not disclose this information to any third party or use it for any purpose other than on behalf of Columbia. You have no right to use Columbia's name or any of its trademarks, trade names, copyrights, patents, designs or other intellectual property except as set forth in writing by Columbia.

Sales Sample Comments - WE7352

Line Slot: Powder Lite II Vest		State: Production		Season: F25	
Designer: dmaguire		Developer: alicehan		LO Developer: kgokul	
Style WE7352		Material Style 2086975		Style Description Powder Lite™ II Vest	
Design F4MO208697		Pattern L19Z7137		Base Size M	
Size Scale S - XXL		Sample LO		Production LO India	



Report #: 0000063659	Office: India	Factory Code: SEP	Factory Name: SHAHI EXPORTS PVT. LTD.
Sample Sizes: M	Estimated First Buy Date:		Factory Country of Origin: India
Comments: CC 624			

MEASUREMENT CHART - SIZE M

Point of Measure	Use	Type	(+/-)	Requested	LO Actual	Difference	QA Actual	Difference
CHEST WIDTH - circumference - 1 inch down from armhole seam	QC	Graded	1.0	42.0				
WAIST WIDTH - circumference	QC	Graded	1.0	41.0				
SWEEP WIDTH - circumference	QC	Graded	1.0	41.0				
BACK BODY LENGTH - CB neck to edge of hem	QC	Graded	0.5	27.0				
SHOULDER WIDTH - Natural Shoulder - seam to seam	QC	Graded	0.5	16.75				
ARMHOLE (Relaxed) - circumference	QC	Graded	0.5	20.75				
ARMHOLE (Extended) - circumference	QC	Graded	0.5	21.75				
SIDE SEAM LENGTH - armhole edge to hem edge	QC	Graded	0.25	16.0				
NECK CIRCUMFERENCE - at seam	QC	Graded	0.25	20.0				
COLLAR LENGTH - at top	QC	Graded	0.25	20.5				
COLLAR HEIGHT - at CB	QC	Graded	0.125	3.25				
COLLAR HEIGHT - at CF	QC	Graded	0.125	3.0				
TOTAL DOWN WEIGHT - in grams	QC	Varies By Style	0.0	120.0				
TOTAL GARMENT WEIGHT - in grams	QC	Varies By Style	0.0	370.0				

Liaison Office Comments ravi 9/20/2024 8:19:59 AM

Fabric

No comments

Trims

No comments

Sales Sample Comments - WE7352

Line Slot: Powder Lite II Vest

State: Production

Season: F25

Designer: dmaguire

Developer: alicehan

LO Developer: kgokul

Sourcing Manager: melissa.gallagher



Style	Material Style	Style Description	Design	Pattern	Base Size	Size Scale	Sample LO	Production LO
WE7352	2086975	Powder Lite™ II Vest	F4MO208697	L19Z7137	M	S - XXL		India

Report #: 0000063659

Office: India

Factory Code: SEP

Factory Name: SHAHI EXPORTS PVT. LTD.

Sample Sizes: M

Estimated First Buy Date:

Factory Country of Origin: India

Comments: CC 624

Embellishment

No comments

Garment dye/Wash

N/A

Measurement

Within Tolerance.

Construction

- 1) Bottom hem shape off & Width uneven
- 2) CF zipper wavy

Product Developer Comments

This is confidential and proprietary information of Columbia Sportswear Company. You agree that you will not disclose this information to any third party or use it for any purpose other than on behalf of Columbia. You have no right to use Columbia's name or any of its trademarks, trade names, copyrights, patents, designs or other intellectual property except as set forth in writing by

Sales Sample Comments - WE7352

Line Slot: Powder Lite II Vest

State: Production

Season: F25

Designer: dmaguire

Developer: alicehan

LO Developer: kgokul

Sourcing Manager: melissa.gallagher



Style	Material Style	Style Description	Design	Pattern	Base Size	Size Scale	Sample LO	Production LO
WE7352	2086975	Powder Lite™ II Vest	F4MO208697	L19Z7137	M	S - XXL		India

Report #: 0000063659

Office: India

Factory Code: SEP

Factory Name: SHAHI EXPORTS PVT. LTD.

Sample Sizes: M

Estimated First Buy Date:

Factory Country of Origin: India

Comments: CC 624

Columbia.

Thumbnail

Line Slot: Powder Lite II Vest
 Merchandise Division: Outerwear
 Designer: dmaguire
 Fit Engineer: alicehan

Merchandise Collection: Trail
 Developer: alicehan

State: Production
 Product Class: Insulated Vest
 LO Developer: kgokul

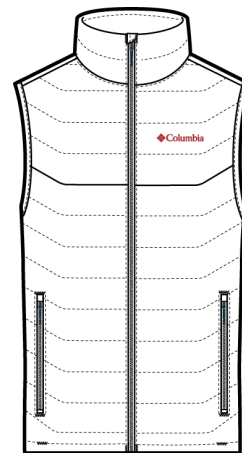
Season: F25
 Sourcing Manager: melissa.gallagher

Design: F4MO208697
 Style Material Style
 WE7352 2086975

Sample LO:
 Style Description Pattern
 Powder Lite™ II L19Z7137
 Vest

Production LO: India
 Base Size Size Scale
 M S - XXL

Fit SMU Type
 Pan-Asian Active N/A



This is confidential and proprietary information of Columbia Sportswear Company. You agree that you will not disclose this information to any third party or use it for any purpose other than on behalf of Columbia. You have no right to use Columbia's name or any of its trademarks, trade names, copyrights, patents, designs or other intellectual property except as set forth in writing by Columbia.

Technical

Line Slot: Powder Lite II Vest		State: Production		Season: F25			
Merchandise Division: Outerwear	Merchandise Collection: Trail	Product Class: Insulated Vest					
Designer: dmaguire	Developer: alicehan	LO Developer: kgokul		Sourcing Manager: melissa.gallagher			
Fit Engineer: alicehan							
Design: F4MO20869 7	Sample LO:	Production LO:	India				
Style WE7352	Material Style 2086975	Style Description Powder Lite™ II Vest	Pattern L19Z7137	Base Size M	Size Scale S - XXL	Fit Pan-Asian Active	SMU Type N/A

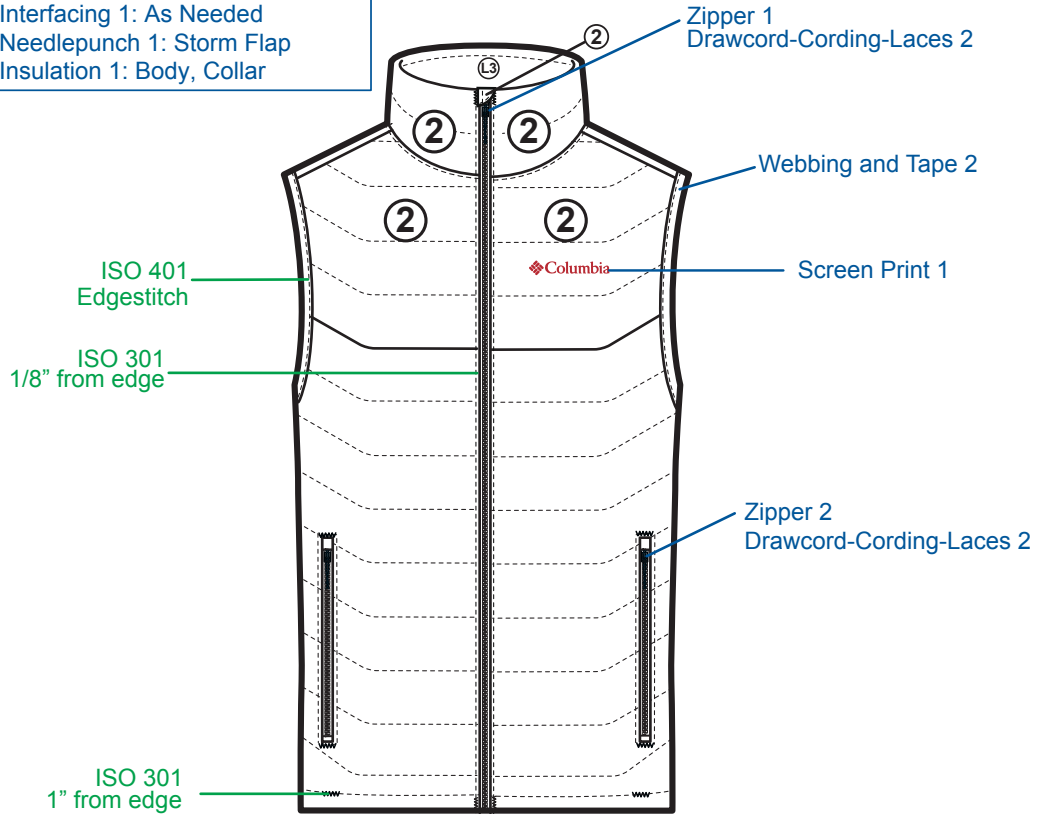


Last Updated: 01.05.23 WN

ISO 301 Edgestitch- All topstitching unless otherwise noted
Quilt lines are sewn through and through

Lining 2: Hand Pocket Bags
Interfacing 1: As Needed
Needlepunch 1: Storm Flap
Insulation 1: Body, Collar

**All Shell ① unless Indicated



Technical

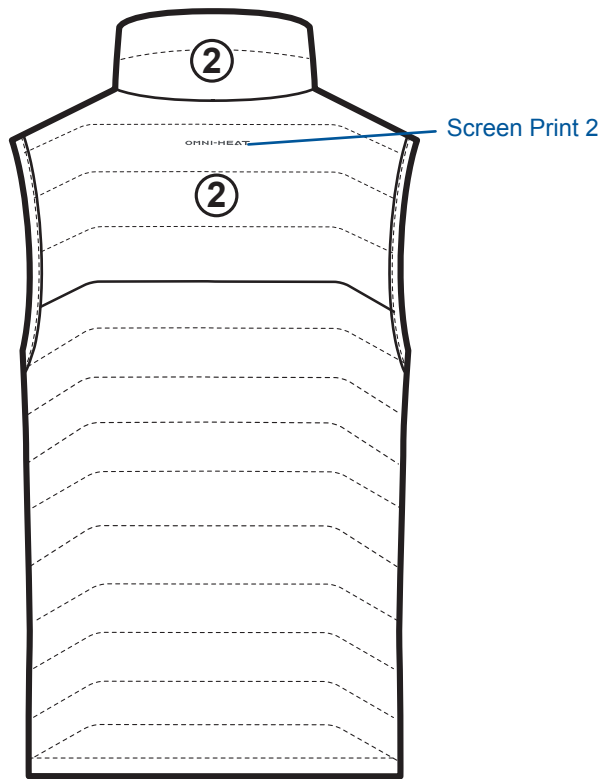
Line Slot: Powder Lite II Vest
 Merchandise Division: Outerwear
 Designer: dmaguire
 Merchandise Collection: Trail
 Developer: alicehan
 State: Production
 Product Class: Insulated Vest
 LO Developer: kgokul
 Season: F25
 Sourcing Manager: melissa.gallagher
 Fit Engineer: alicehan

Design:	F4MO20869 7	Sample LO:		Production LO:	India		
Style	Material Style	Style Description	Pattern	Base Size	Size Scale	Fit	SMU Type
WE7352	2086975	Powder Lite™ II Vest	L19Z7137	M	S - XXL	Pan-Asian Active	N/A



Last Updated: 02.05.2021 SW

**All Shell ① unless Indicated

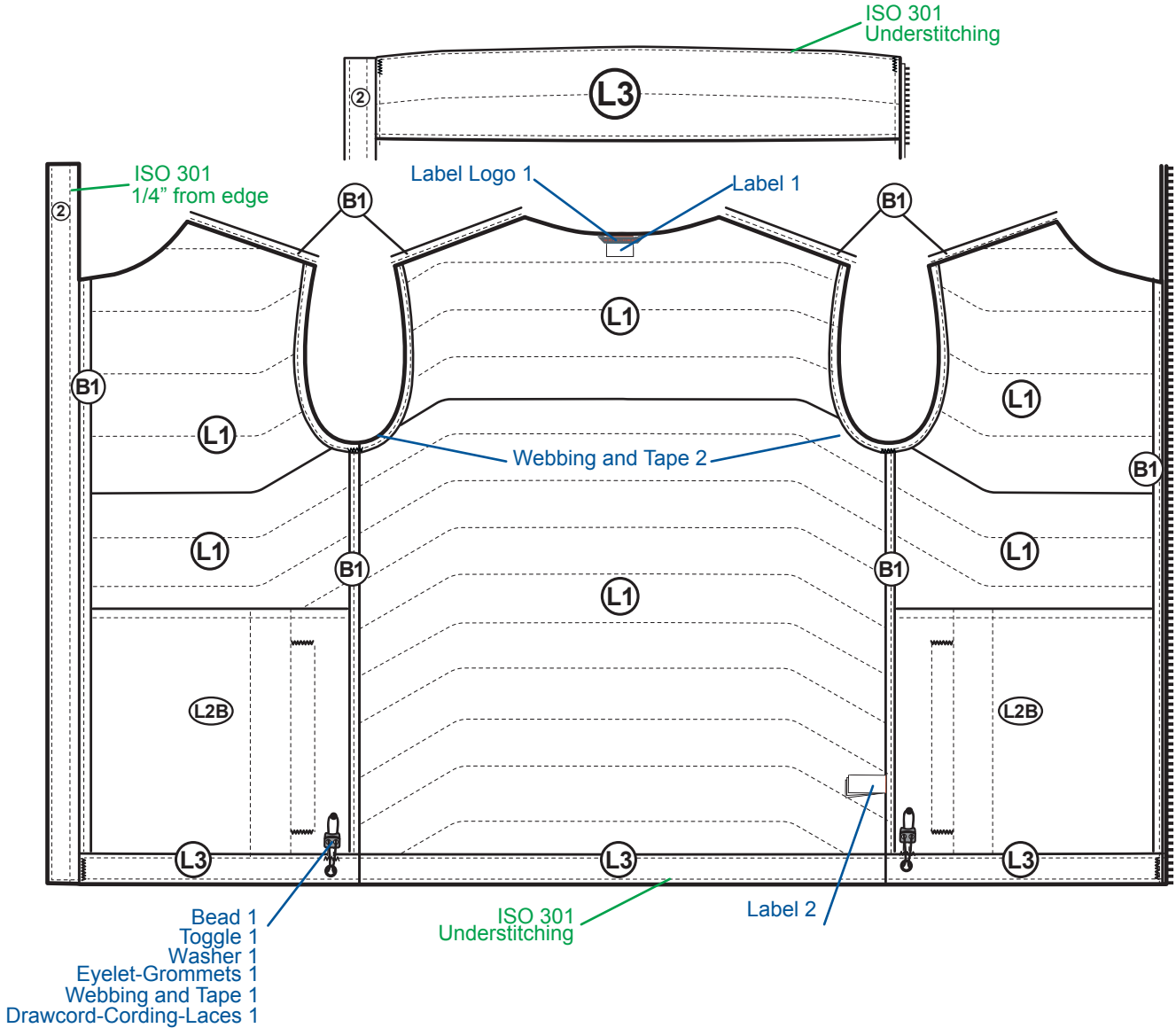


Technical

Line Slot: Powder Lite II Vest		State: Production		Season: F25			
Merchandise Division: Outerwear	Merchandise Collection: Trail	Product Class: Insulated Vest					
Designer: dmaguire	Developer: alicehan	LO Developer: kgokul		Sourcing Manager: melissa.gallagher			
Fit Engineer: alicehan							
Design: F4MO20869 7	Sample LO:	Production LO:	India				
Style WE7352	Material Style 2086975	Style Description Powder Lite™ II Vest	Pattern L19Z7137	Base Size M	Size Scale S - XXL	Fit Pan-Asian Active	SMU Type N/A



Last Update: 10/20/2024 11:11 AM



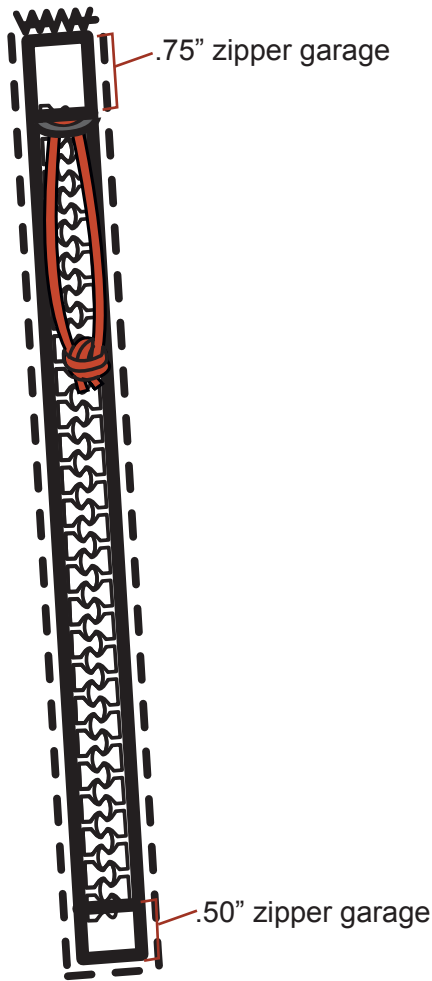
Technical

Line Slot: Powder Lite II Vest
 Merchandise Division: Outerwear
 Designer: dmaguire
 Fit Engineer: alicehan
 Design: F4MO20869
 Style WE7352
 Material Style 2086975
 Merchandise Collection: Trail
 Developer: alicehan
 State: Production
 Product Class: Insulated Vest
 LO Developer: kgokul
 Season: F25
 Sourcing Manager: melissa.gallagher
 Sample LO: 7
 Production LO: India
 Pattern L19Z7137
 Base Size M
 Size Scale S - XXL
 Fit Pan-Asian Active
 SMU Type N/A

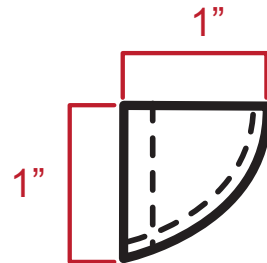


Hand Pocket

DETAIL:
Zipper Garage



Shell Fabric Chinguard

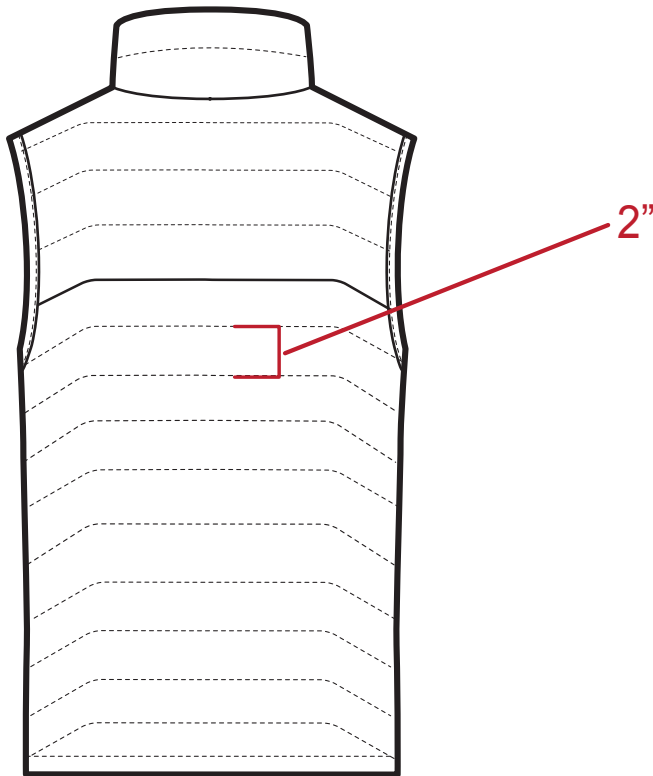


Technical

Line Slot: Powder Lite II Vest		State: Production	Season: F25
Merchandise Division: Outerwear	Merchandise Collection: Trail	Product Class: Insulated Vest	
Designer: dmaguire	Developer: alicehan	LO Developer: kgokul	Sourcing Manager: melissa.gallagher
Fit Engineer: alicehan			



Design:	F4MO20869 7	Sample LO:		Production LO:	India		
Style	Material Style	Style Description	Pattern	Base Size	Size Scale	Fit	SMU Type
WE7352	2086975	Powder Lite™ II Vest	L19Z7137	M	S - XXL	Pan-Asian Active	N/A



This is confidential and proprietary information of Columbia Sportswear Company. You agree that you will not disclose this information to any third party or use it for any purpose other than on behalf of Columbia. You have no right to use Columbia's name or any of its trademarks, trade names, copyrights, patents, designs or other intellectual property except as set forth in writing by Columbia.

Hangtag Package Report

Apparel Style: WE7352

Season: F25

Brand: Columbia

Merchandise Category: Outerwear

Merchandiser: kevin.wonnacott

Line Slot: Powder Lite II Vest

Sort Order: 1.0 Part: 126966 - Active Fit Swing Tag
 Instruction: Swing tag to be placed on top of cover tag on same plastic stringer.

SKU	DATE	NAME	EXPIRES DATE
OP1490983	120966	OP1490983_126966_MT_Active Fit	10-18-23



ITEM CODE	DESCRIPTION	QUANTITY	UNIT
Process Blue / Peaches Blue	126966	1	CT-2
75" x 137" / 1050mm x 883mm	ActiveFit Coating Str Cut, 3mm punch	1	MT-1

Sort Order: 2.0 Part: 097088 - Columbia Omni-Heat Reflective, Omni-Shield Hangtag
 Instruction: (Tag should be hung with 3" plastic loop stringer through lower left front pocket zipper pull)

SKU	DATE	NAME	EXPIRES DATE
OP385011	097088	OP385011_097088_CT_Columbia_OmniHeat Reflective_OmniShield	12-14-22



ITEM CODE	DESCRIPTION	QUANTITY	UNIT
Process Blue / AC	097088	1	CT-2
1.68" x 4.87" / 42.68mm x 123.66mm	Omni-Heat Coating Str Cut, 3mm, 3mm Punch	1	MT-1

Sort Order: 3.0 Part: 121612 - MSRP/UPC with RFID Specs for MSRP.
 Please refer to VAS specs for any exceptions. MSRP required on all product shipping to the US.
 Instruction:

