

### Related Styles

Line Slot: Slack Tide Solid Camp Shirt  
 Merchandise Division: Sportswear  
 Designer: karie.carter  
 Fit Engineer: alicehan

Merchandise Collection: PFG  
 Developer: alicehan

State: Production  
 Product Class: Woven Tops S/S  
 LO Developer: nguyen.dung

Season: F25  
 Sourcing Manager: melissa.gallagher



Design:	S5MS157705	Sample LO:		Production LO:	India		
Style	Material Style	Style Description	Pattern	Base Size	Size Scale	Fit	SMU Type
FJ7042	1577054	Slack Tide™ Camp Shirt	M15S1024	2XT	LT - 5XT	Regular	N/A

Style	Material Style	Style Description	Design	Pattern	Base Size	Size Scale	Sample LO	Production LO
FS7042	1577052	Slack Tide™ Camp Shirt	S5MS157705	M15S1024	2X	1X - 6X		India
FM7042	1577051	Slack Tide™ Camp Shirt	S5MS157705	M15M1024	M	XS - XXL		India

This is confidential and proprietary information of Columbia Sportswear Company. You agree that you will not disclose this information to any third party or use it for any purpose other than on behalf of Columbia. You have no right to use Columbia's name or any of its trademarks, trade names, copyrights, patents, designs or other intellectual property except as set forth in writing by Columbia.

### Part Specifications with Approved Suppliers

Line Slot: Slack Tide Solid Camp Shirt  
 Merchandise Division: Sportswear  
 Designer: karie.carter  
 Fit Engineer: alicehan

Merchandise Collection: PFG  
 Developer: alicehan

State: Production  
 Product Class: Woven Tops S/S  
 LO Developer: nguyen.dung

Season: F25  
 Sourcing Manager: melissa.gallagher

Design: S5MS157705    Sample LO:    Production LO: India    Vendor Master INDIA    Vendor Master INDIA  
 Production LO:    Sourcing LO:  
 Style Material Style    Style    Pattern    Base Size    Size Scale    Fit    SMU Type  
 Description  
 FJ7042    1577054    Slack Tide™    M15S1024    2XT    LT - 5XT    Regular    N/A  
 Camp Shirt



Number	Description	UM	Fiber Content	Fiber Content Back	Material Coating	Material Finish (Face)	Material Laminate	Trim Specific	Supplier Art No	Country of Origin	Standard Cost (FOB)	Purchase Cost (CIF)	Product on Lead Time with Greige	Product on Lead Time without Greige
<b>Fabric</b>														
099294	SlackTide doobby UPF 50	yd	100% Polyester	unassigned	MaterialCoatingNone	UV Cut, Wicking	MaterialLaminateNone							
Delicacy Vietnam			Fabric Width: 55.0 in    Width Type: cuttable    Primary Weight: 76.0 g/m2						C3200356-Q	Vietnam	2.2	0.0	35	55
Haren Textiles Pvt. Ltd.			Fabric Width: 54.0 in    Width Type: cuttable    Primary Weight: 73.0 g/m2						TBD	India	1.8	0.0	45	60
055984	Polyester Microfiber Sueded face and back	yd	100% Polyester	unassigned	MaterialCoatingNone	Sanded/Peached (technical back), Sanded/Peached (technical face)	Polyethylene							
Far Eastern Textile Ltd.			Fabric Width: 63.0 in    Width Type: cuttable    Primary Weight: 147.0 g/m2						PE3E0033-BR01AT	Taiwan	2.3	0.0	45	55
200001	Mesh-Warp Knit 2mm mesh hole size	yd	100% Polyester	unassigned	MaterialCoatingNone	MaterialFinishNone	MaterialLaminateNone							
Haren Textiles Pvt. Ltd.			Fabric Width: 60.0 in    Width Type: cuttable    Primary Weight: 65.0 g/m2						200001	India	0.46	0.0	30	45
Huge-Bamboo Enterprise Co., Ltd.			Fabric Width: 60.0 in    Width Type: cuttable    Primary Weight: 62.0 g/m2						RA145075-1C-5320180	Vietnam	0.46	0.0	30	45
Huge Rock Textile Co., Ltd.			Fabric Width: 60.0 in    Width Type: cuttable    Primary Weight: 62.0 g/m2						200001	Taiwan	0.59	0.0	60	75
HTT Insprite (Xiamen) Imp & Exp Co. Ltd.			Fabric Width: 60.0 in    Width Type: cuttable    Primary Weight: 62.0 g/m2						200001	China	0.48	0.0	35	60
011953	Interlining Non-Woven Fusible Medium Weight for Garment Wash	yd	100% Polyester	unassigned	unassigned	unassigned	unassigned							
Freudenberg-Hong Kong			Fabric Width: 35.0 in    Width Type: cuttable    Primary Weight: 47.0 g/m2						AP88	Taiwan	0.42	0.0	14	21
MaxBond			Fabric Width: 48.0 in    Width Type: cuttable    Primary Weight: 47.0 g/m2						UD9937	Vietnam	0.39	0.0	10	20
PCC asia LLC			Fabric Width: 60.0 in    Width Type: cuttable    Primary Weight: 40.0 g/m2						CL888	China	0.41	0.0	14	21
<b>Trim</b>														
400070	20L 4H Columbia Logo Button or Lt Horn DTM (White is not available)(Call out Light Horn on BOM for Light Horn, undyed)	ea	100% Polyester	unassigned	unassigned	unassigned	unassigned	Size UM: ligne Width: 20.0						
Button International Company									QBZ01	Taiwan	0.0156	0.0149	30	40
Sungbo									SB-400070	South Korea	0.013	0.0	25	30
Grutti Vietnam Co. Ltd.									400070	Vietnam	0.0154	0.0	30	35
M.Y. & UNION INTERNATIONAL /EXPOWORLD BUTTONS (PVT) LTD.									400070	unassigned	0.13	0.0	0	0

## Part Specifications with Approved Suppliers

Line Slot: Slack Tide Solid Camp Shirt      State: Production      Season: F25  
 Merchandise Division: Sportswear      Merchandise Collection: PFG      Product Class: Woven Tops S/S  
 Designer: karie.carter      Developer: alicehan      LO Developer: nguyen.dung      Sourcing Manager: melissa.gallagher  
 Fit Engineer: alicehan



Design: S5MS157705      Sample LO:      Production LO: India      Vendor Master: INDIA      Vendor Master: INDIA  
 Style:      Material Style:      Style Description:      Pattern:      Base Size:      Size Scale:      Fit:      SMU Type:      Sourcing LO:  
 FJ7042      1577054      Slack Tide™ Camp Shirt      M15S1024      2XT      LT - 5XT      Regular      N/A

Number	Description	UM	Fiber Content	Fiber Content Back	Material Coating	Material Finish (Face)	Material Laminate	Trim Specific	Supplier Art No	Country of Origin	Standard Cost (FOB)	Purchase Cost (CIF)	Product on Lead Time with Greige	Product on Lead Time without Greige
BANGALORE SALES CORPORATION									400070	India	0.0086	0.0	15	25
022083	70mm Omni-Shadow Embroidery 1 clr. Est st ct 774	ea	unassigned	unassigned	unassigned	unassigned	unassigned	Size UM: mm						
FGV Sourced									022083	unassigned	0.0	0.0	0	0
070437	2.5mm 4 color non stretch d/c	yd	100% Polyester	unassigned	unassigned	unassigned	unassigned	Size UM: mm						
Paiho Global									070437	Taiwan	0.06	0.0	30	60
Chun Wo Ho Co. Ltd									070437	China	0.11	0.0	30	35
FGV - Shahi Exports Pvt. (SEP) Ltd.									070437	India	0.042	0.0	15	20
Naturub Group of Companies									BBA023189	Bangladesh	0.0485	0.0	40	40
Fabrica de Tejidos El Sol S. A.									112150 L rel 68 #1	Guatemala	0.1	0.0	30	45
036635	47.4mm Gem Columbia heat Transfer brand size 2 3 clr CANNOT SHOW INSEAM	ea	100% Polyurethane	unassigned	unassigned	Printed	unassigned	Size UM: mm						
Stapros									036635	Taiwan	0.09	0.099	30	40
Finotex El Salvador									036635	El Salvador	0.05	0.0	21	28
Finotex Colombia									036635	Colombia	0.04	0.0	12	12
J-Long Ltd									036635	China	0.031	0.0	30	40
Subli Honduras S DE RL DE CV.									TBD	unassigned	0.038	0.0	0	0
Dekko Accessories Ltd.									TBD	Bangladesh	0.04	0.0	20	28
080595	27mm Gem Columbia PFG Woven Clamshell Label with folded ends (Above) 2 clr	ea	100% Recycled Polyester	unassigned	unassigned	unassigned	unassigned	Size UM: mm						
Avery Dennison Global									080595	unassigned	0.03038	0.0	30	30
058652	51mm PFG Triangle Logo laser Cut Wvn label	ea	100% Recycled Polyester	unassigned	unassigned	unassigned	unassigned	Size UM: mm						
Avery Dennison Global									WX197980A	China	0.04557	0.0	30	30
FGV - Yupoong (YUP)									058652_FLX	unassigned	0.042	0.0	0	0
Nexgen Packaging Global									058652	unassigned	0.05	0.0	21	28
Manohar Filaments									23/11813/8	India	0.036	0.0	30	30
057380	15mm Double-sided sun glasses woven swing label 2 clr	ea	100% Polyester	unassigned	unassigned	unassigned	unassigned	Size UM: mm						

### Part Specifications with Approved Suppliers

Line Slot: Slack Tide Solid Camp Shirt State: Production Season: F25  
 Merchandise Division: Sportswear Merchandise Collection: PFG Product Class: Woven Tops S/S  
 Designer: karie.carter Developer: alicehan LO Developer: nguyen.dung Sourcing Manager: melissa.gallagher  
 Fit Engineer: alicehan



Design: S5MS157705 Sample LO: Production LO: India Vendor Master INDIA Vendor Master INDIA  
 Production LO: Sourcing LO:  
 Style Material Style Style Pattern Base Size Size Scale Fit SMU Type  
 Description  
 FJ7042 1577054 Slack Tide™ M15S1024 2XT LT - 5XT Regular N/A  
 Camp Shirt

Number	Description	UM	Fiber Content	Fiber Content Back	Material Coating	Material Finish (Face)	Material Laminate	Trim Specific	Supplier Art No	Country of Origin	Standard Cost (FOB)	Purchase Cost (CIF)	Product on Lead Time with Greige	Product on Lead Time without Greige
Dong Young									DY-57380	South Korea	0.018	0.0	30	30
Jointak Industrial Co. Ltd									057380 - VKQ64VF	China	0.0263	0.0	30	35
Nexgen Packaging Global									057380	unassigned	0.042	0.0	21	28
008214	Coats ASTRA Spun Polyester Tex 27 40/2	met er	100% Polyester	unassigned	unassigned	unassigned	unassigned	Size UM: tex						
Coats Global Thread									EV65120	unassigned	0.0003	0.0	0	0
006564	33mm Care Content ECO Booklet Fold label with fully translated country of origin WHT/BLK for most, BLK/WHT for Titanium only, GRY/BLK is for Garment DYE ONLY - waiting on updated artwork	ea	100% Recycled Polyester	unassigned	unassigned	unassigned	unassigned	Size UM: mm						
Dong Young									DY-006564	South Korea	0.04	0.0	15	15
Finotex El Salvador									006564	El Salvador	0.0	0.0	10	0
Avery Dennison Global									S2088861-8	China	0.016	0.0	30	30
Bao Shen (Apparel)									YL15110003 0 PS7530A5	unassigned	0.016	0.0	7	21
Nexgen Packaging Global									006564	unassigned	0.0221	0.0	21	28
111006	PFG Omni-Shade UPF 50, Omni-Wick Hangtag	ea	unassigned	unassigned	unassigned	unassigned	unassigned	Size UM: cm						
Hang Sang Press Co. Ltd									n/a	unassigned	0.0287	0.0	0	0
Finotex El Salvador									n/a	unassigned	0.037	0.0	21	28
121612	MSRP/UPC with RFID Specs for MSRP. Please refer to VAS specs for any exceptions. MSRP required on all product shipping to the US.	ea	unassigned	unassigned	unassigned	unassigned	unassigned	Size UM: mm						
Bao Shen (Apparel)									n/a	unassigned	0.049	0.0	7	0
Avery Dennison Global									n/a	unassigned	0.04875	0.0	14	0
126967	Regular Fit Swing Tag	ea	unassigned	unassigned	unassigned	unassigned	unassigned	Size UM: in						
Hang Sang Press Co. Ltd									n/a	unassigned	0.023	0.0	0	0
Finotex El Salvador									n/a	unassigned	0.016	0.0	21	28
980001	Polybag See Standard CCS 4200 for specifications	ea	unassigned	unassigned	unassigned	unassigned	unassigned	Size UM: mm						

## Part Specifications with Approved Suppliers

Line Slot: Slack Tide Solid Camp Shirt		State: Production		Season: F25	
Merchandise Division: Sportswear		Merchandise Collection: PFG		Product Class: Woven Tops S/S	
Designer: karie.carter		Developer: alicehan		LO Developer: nguyen.dung	
Fit Engineer: alicehan		Sourcing Manager: melissa.gallagher			

Design:	S5MS157705	Sample LO:	Production LO:	India	Vendor Master:	INDIA	Vendor Master:	INDIA
Style:	Material Style	Style Description	Pattern	Base Size	Size Scale	Fit	SMU Type	Sourcing LO:
FJ7042	1577054	Slack Tide™ Camp Shirt	M15S1024	2XT	LT - 5XT	Regular	N/A	



Number	Description	UM	Fiber Content	Fiber Content Back	Material Coating	Material Finish (Face)	Material Laminate	Trim Specific	Supplier Art No	Country of Origin	Standard Cost (FOB)	Purchase Cost (CIF)	Product on Lead Time with Greige	Product on Lead Time without Greige
Contractor									980001	unassigned	0.0	0.0	0	0
980010	UPC Bag Sticker Generic (MHW/Columbia) See CCS4400/ 4401 and MHW4402 for Mt Hardware for instructions	ea	unassigned	unassigned	unassigned	unassigned	unassigned	Size UM: mm						
Hang Sang Press Co. Ltd									980010	Hong Kong	0.016	0.0	14	14
Avery Dennison Global									980010	China	0.01089	0.0	30	30
FGV Sourced									980010	unassigned	0.0	0.0	0	0
Bao Shen (Apparel)									980010	unassigned	0.011	0.0	7	21
Nexgen Packaging Global									980010	unassigned	0.011	0.0	21	28
064194	Outer Carton for costing purpose only	ea	unassigned	unassigned	unassigned	unassigned	unassigned	Size UM: mm						
Contractor									064194	unassigned	0.0	0.0	0	0

This is confidential and proprietary information of Columbia Sportswear Company. You agree that you will not disclose this information to any third party or use it for any purpose other than on behalf of Columbia. You have no right to use Columbia's name or any of its trademarks, trade names, copyrights, patents, designs or other intellectual property except as set forth in writing by Columbia.

### Color BOM

Line Slot: Slack Tide Solid Camp Shirt  
 Merchandise Division: Sportswear  
 Designer: karie.carter  
 Fit Engineer: alicehan

Merchandise Collection: PFG  
 Developer: alicehan

State: Production  
 Product Class: Woven Tops S/S  
 LO Developer: nguyen.dung

Season: F25  
 Sourcing Manager: melissa.gallagher



Design: S5MS157705	Sample LO:	Production LO: India	
Style Material Style	Style Description	Pattern	Base Size
FJ7042	1577054	Slack Tide™ Camp Shirt	M15S1024
		2XT	LT - 5XT
		Regular	SMU Type N/A

Component	Details	Placement	Usage	Width	Marker Width	010-Black	019-Cool Grey	100-White	316-Cypress	357-Misty Jade
<b>SAP Material Code</b>						1577052010	1577052019	1577052100	1577052316	1577052357
						1577051010	1577054019	1577051100	1577051316	1577051357
						1577054010	1577051019	1577054100	1577054316	1577054357
<b>SMU Accounts</b>						N/A	N/A	N/A	N/A	N/A
Shell 1	099294 SlackTide dobby UPF 50 Dobby 100% Polyester 158 X 120 50D SD DTY x 50D SD DTY UV Cut, Wicking MaterialCoatingNone MaterialLaminateNone 73.0 g/m2 Piece Dye/Jet NA		1.557 yd	54.0	0	Black	Cool Grey	White	Cypress	Misty Jade
Lining 1	055984 Polyester Microfiber Sueded face and back Interlock 100% Polyester 32 Sanded/Peached (technical back), Sanded/Peached (technical face) MaterialCoatingNone Polyethylene 147.0 g/m2 Piece Dye/Jet NA		0.007 yd	63.0	0	Cool Grey	Cool Grey	Cool Grey	Cool Grey	Cool Grey
Lining 2	200001 Mesh-Warp Knit 2mm mesh hole size Mesh 100% Polyester 28 MaterialFinishNone MaterialCoatingNone MaterialLaminateNone 65.0 g/m2 Piece Dye/Jet		0.161 yd	60.0	0	White	White	White	White	White

### Color BOM

Line Slot: Slack Tide Solid Camp Shirt  
 Merchandise Division: Sportswear  
 Designer: karie.carter  
 Fit Engineer: alicehan

Merchandise Collection: PFG  
 Developer: alicehan

State: Production  
 Product Class: Woven Tops S/S  
 LO Developer: nguyen.dung

Season: F25  
 Sourcing Manager: melissa.gallagher



Design: S5MS157705  
 Style: Material Style  
 FJ7042: 1577054

Sample LO:  
 Style Description: Slack Tide™ Camp Shirt  
 Pattern: M15S1024

Production LO: India  
 Base Size: 2XT  
 Size Scale: LT - 5XT

Fit: Regular  
 SMU Type: N/A

Component	Details	Placement	Usage	Width	Marker Width	010-Black	019-Cool Grey	100-White	316-Cypress	357-Misty Jade
<b>SAP Material Code</b>						1577052010	1577052019	1577052100	1577052316	1577052357
						1577051010	1577054019	1577051100	1577051316	1577051357
						1577054010	1577051019	1577054100	1577054316	1577054357
Interfacing 1	011953 Interlining Non-Woven Fusible Medium Weight for Garment Wash Interlining 100% Polyester 40.0 g/m2		0.155 yd	60.0	0	White	White	White	White	White
Button 1	400070 20L 4H Columbia Logo Button or Lt Horn DTM (White is not available)(Call out Light Horn on BOM for Light Horn, undyed) Width: 20.0		7 ea	0.0	0	Black	Cool Grey	White	Cypress	Misty Jade
Direct Embroidery 1	022083 70mm Omni-Shade Embroidery 1 clr. Est st ct 774	***FOR EU/INTL/IDR ORDERS - DO NOT USE AS GARMENT STYLE DOES NOT MEET EU PPE REQUIREMENTS***See EU UPF PPE Market list from Compliance Team for countries affected.	1 ea	0.0	0	Columbia Grey	Grill	Grill	Columbia Grey	White
Drawcord-Cording-Laces 1	070437 2.5mm 4 color non stretch d/c		0.063 yd	0.0	0	Cool Grey, Grill, White, Nightshade	Cool Grey, Grill, White, Nightshade	Cool Grey, Grill, White, Nightshade	Cool Grey, Grill, White, Nightshade	Cool Grey, Grill, White, Nightshade
Heat Transfer Glued 1	036635 47.4mm Gem Columbia heat Transfer brand size 2 3 clr CANNOT SHOW INSEAM		1 ea	0.0	0	White, Columbia Grey, Compass Blue	White, Columbia Grey, Compass Blue	White, Columbia Grey, Compass Blue	White, Columbia Grey, Compass Blue	White, Columbia Grey, Compass Blue
Label Logo 1	080595 27mm Gem Columbia PFG Woven Clamshell Label with folded ends (Above) 2 clr		1 ea	0.0	0	Cool Grey, Nightshade	Cool Grey, Nightshade	Cool Grey, Nightshade	Cool Grey, Nightshade	Cool Grey, Nightshade
Label Logo 2	058652 51mm PFG Triangle Logo laser Cut Wvn label		1 ea	0.0	0	PMS Cool Grey 3, PMS Cool Grey 7, Nightshade, White	PMS Cool Grey 3, PMS Cool Grey 7, Nightshade, White	PMS Cool Grey 3, PMS Cool Grey 7, Nightshade, White	PMS Cool Grey 3, PMS Cool Grey 7, Nightshade, White	PMS Cool Grey 3, PMS Cool Grey 7, Nightshade, White
Label Logo 3	057380 15mm Double-sided sun glasses woven swing label 2 clr		1 ea	0.0	0	Columbia Grey, White	Columbia Grey, White	Columbia Grey, White	Columbia Grey, White	Columbia Grey, White

### Color BOM

Line Slot: Slack Tide Solid Camp Shirt  
 Merchandise Division: Sportswear  
 Designer: karie.carter  
 Fit Engineer: alicehan

Merchandise Collection: PFG  
 Developer: alicehan

State: Production  
 Product Class: Woven Tops S/S  
 LO Developer: nguyen.dung

Season: F25  
 Sourcing Manager: melissa.gallagher



Design:	S5MS157705	Sample LO:		Production LO:	India		
Style	Material Style	Style Description	Pattern	Base Size	Size Scale	Fit	SMU Type
FJ7042	1577054	Slack Tide™ Camp Shirt	M15S1024	2XT	LT - 5XT	Regular	N/A

Component	Details	Placement	Usage	Width	Marker Width	010-Black	019-Cool Grey	100-White	316-Cypress	357-Misty Jade
<b>SAP Material Code</b>						157705201 0	157705201 9	157705210 0	157705231 6	157705235 7
						157705101 0	157705401 9	157705110 0	157705131 6	157705135 7
						157705401 0	157705101 9	157705410 0	157705431 6	157705435 7
Thread 1	008214 Coats ASTRA Spun Polyester Tex 27 40/2		425 meter	0.0	0	Black	Cool Grey	White	Cypress	Misty Jade
Label 1	006564 33mm Care Content ECO Booklet Fold label with fully translated country of origin WHT/BLK for most, BLK/WHT for Titanium only, GRY/BLK is for Garment DYE ONLY- waiting on updated artwork		1 ea	0.0	0	White, Black	White, Black	White, Black	White, Black	White, Black
Hangtag Package Part	111006 PFG Omni-Shade UPF 50, Omni-Wick Hangtag		1 ea	0.0	0	Artwork	Artwork	Artwork	Artwork	Artwork
Hangtag Package Part	121612 MSRP/UPC with RFID Specs for MSRP. Please refer to VAS specs for any exceptions. MSRP required on all product shipping to the US.		1 ea	0.0	0	Artwork	Artwork	Artwork	Artwork	Artwork
Hangtag Package Part	126967 Regular Fit Swing Tag		1 ea	0.0	0	Artwork	Artwork	Artwork	Artwork	Artwork
Packaging 1	980001 Polybag See Standard CCS 4200 for specifications		1 ea	0.0	0	Stock	Stock	Stock	Stock	Stock
Packaging 2	980010 UPC Bag Sticker Generic (MHW/Columbia) See CCS4400/ 4401 and MHW4402 for Mt Hardwear for instructions		1 ea	0.0	0	Artwork	Artwork	Artwork	Artwork	Artwork
Packaging 3	064194 Outer Carton for costing purpose only		1 ea	0.0	0	Stock	Stock	Stock	Stock	Stock



**Color BOM**

Line Slot: Slack Tide Solid Camp Shirt  
 Merchandise Division: Sportswear  
 Designer: karie.carter  
 Fit Engineer: alicehan

Merchandise Collection: PFG  
 Developer: alicehan

State: Production  
 Product Class: Woven Tops S/S  
 LO Developer: nguyen.dung

Season: F25  
 Sourcing Manager: melissa.gallagher



Design: S5MS157705      Sample LO:      Production LO: India  
 Style Material Style      Style Description      Pattern      Base Size      Size Scale      Fit      SMU Type  
 FJ7042      1577054      Slack Tide™ Camp Shirt      M15S1024      2XT      LT - 5XT      Regular      N/A

Component	Details	Placement	Usage	Width	Marker Width	456-Vintage Blue	461-Crushed Blue	464-Collegiate Navy	469-Carbon	487-Vivid Blue
<b>SAP Material Code</b>						157705245 6	157705246 1	157705246 4	157705246 9	157705248 7
						157705145 6	157705146 1	157705146 4	157705146 9	157705148 7
						157705445 6	157705446 1	157705446 4	157705446 9	157705448 7
<b>SMU Accounts</b>						N/A	N/A	N/A	N/A	N/A
Shell 1	099294 SlackTide dobby UPF 50 Dobby 100% Polyester 158 X 120 50D SD DTY x 50D SD DTY UV Cut, Wicking MaterialCoatingNone MaterialLaminateNone 73.0 g/m2 Piece Dye/Jet NA		1.557 yd	54.0	0	Vintage Blue	Crushed Blue	Collegiate Navy	Carbon	Vivid Blue
Lining 1	055984 Polyester Microfiber Sueded face and back Interlock 100% Polyester 32 Sanded/Peached (technical back), Sanded/Peached (technical face) MaterialCoatingNone Polyethylene 147.0 g/m2 Piece Dye/Jet NA		0.007 yd	63.0	0	Cool Grey	Cool Grey	Cool Grey	Cool Grey	Cool Grey
Lining 2	200001 Mesh-Warp Knit 2mm mesh hole size Mesh 100% Polyester 28 MaterialFinishNone MaterialCoatingNone MaterialLaminateNone 65.0 g/m2 Piece Dye/Jet		0.161 yd	60.0	0	White	White	White	White	White

**Color BOM**

Line Slot: Slack Tide Solid Camp Shirt  
 Merchandise Division: Sportswear  
 Designer: karie.carter  
 Fit Engineer: alicehan

Merchandise Collection: PFG  
 Developer: alicehan

State: Production  
 Product Class: Woven Tops S/S  
 LO Developer: nguyen.dung

Season: F25  
 Sourcing Manager: melissa.gallagher



Design: S5MS157705      Sample LO:      Production LO: India  
 Style Material Style      Style Description      Pattern      Base Size      Size Scale      Fit      SMU Type  
 FJ7042      1577054      Slack Tide™ Camp Shirt      M15S1024      2XT      LT - 5XT      Regular      N/A

Component	Details	Placement	Usage	Width	Marker Width	456-Vintage Blue	461-Crushed Blue	464-Collegiate Navy	469-Carbon	487-Vivid Blue
<b>SAP Material Code</b>						157705245 6	157705246 1	157705246 4	157705246 9	157705248 7
						157705145 6	157705146 1	157705146 4	157705146 9	157705148 7
						157705445 6	157705446 1	157705446 4	157705446 9	157705448 7
Interfacing 1	011953 Interlining Non-Woven Fusible Medium Weight for Garment Wash Interlining 100% Polyester 40.0 g/m2		0.155 yd	60.0	0	White	White	White	White	White
Button 1	400070 20L 4H Columbia Logo Button or Lt Horn DTM (White is not available)(Call out Light Horn on BOM for Light Horn, undyed) Width: 20.0		7 ea	0.0	0	Vintage Blue	Crushed Blue	Collegiate Navy	Carbon	Vivid Blue
Direct Embroidery 1	022083 70mm Omni-Shade Embroidery 1 clr. Est st ct 774	***FOR EU/INTL/IDR ORDERS - DO NOT USE AS GARMENT STYLE DOES NOT MEET EU PPE REQUIREMENTS***See EU UPF PPE Market list from Compliance Team for countries affected.	1 ea	0.0	0	Columbia Grey	Columbia Grey	Columbia Grey	Columbia Grey	Columbia Grey
Drawcord-Cording-Laces 1	070437 2.5mm 4 color non stretch d/c		0.063 yd	0.0	0	Cool Grey, Grill, White, Nightshade	Cool Grey, Grill, White, Nightshade	Cool Grey, Grill, White, Nightshade	Cool Grey, Grill, White, Nightshade	Cool Grey, Grill, White, Nightshade
Heat Transfer Glued 1	036635 47.4mm Gem Columbia heat Transfer brand size 2 3 clr CANNOT SHOW INSEAM		1 ea	0.0	0	White, Columbia Grey, Compass Blue	White, Columbia Grey, Compass Blue	White, Columbia Grey, Compass Blue	White, Columbia Grey, Compass Blue	White, Columbia Grey, Compass Blue
Label Logo 1	080595 27mm Gem Columbia PFG Woven Clamshell Label with folded ends (Above) 2 clr		1 ea	0.0	0	Cool Grey, Nightshade	Cool Grey, Nightshade	Cool Grey, Nightshade	Cool Grey, Nightshade	Cool Grey, Nightshade
Label Logo 2	058652 51mm PFG Triangle Logo laser Cut Wvn label		1 ea	0.0	0	PMS Cool Grey 3, PMS Cool Grey 7, Nightshade, White	PMS Cool Grey 3, PMS Cool Grey 7, Nightshade, White	PMS Cool Grey 3, PMS Cool Grey 7, Nightshade, White	PMS Cool Grey 3, PMS Cool Grey 7, Nightshade, White	PMS Cool Grey 3, PMS Cool Grey 7, Nightshade, White

**Color BOM**

Line Slot: Slack Tide Solid Camp Shirt  
 Merchandise Division: Sportswear  
 Designer: karie.carter  
 Fit Engineer: alicehan

Merchandise Collection: PFG  
 Developer: alicehan

State: Production  
 Product Class: Woven Tops S/S  
 LO Developer: nguyen.dung

Season: F25  
 Sourcing Manager: melissa.gallagher



Design: S5MS157705      Sample LO:      Production LO: India  
 Style Material Style      Style Description      Pattern      Base Size      Size Scale      Fit      SMU Type  
 FJ7042      1577054      Slack Tide™ Camp Shirt      M15S1024      2XT      LT - 5XT      Regular      N/A

Component	Details	Placement	Usage	Width	Marker Width	456-Vintage Blue	461-Crushed Blue	464-Collegiate Navy	469-Carbon	487-Vivid Blue
<b>SAP Material Code</b>						157705245 6	157705246 1	157705246 4	157705246 9	157705248 7
						157705145 6	157705146 1	157705146 4	157705146 9	157705148 7
						157705445 6	157705446 1	157705446 4	157705446 9	157705448 7
Label Logo 3	057380 15mm Double-sided sun glasses woven swing label 2 clr		1 ea	0.0	0	Columbia Grey, White	Columbia Grey, White	Columbia Grey, White	Columbia Grey, White	Columbia Grey, White
Thread 1	008214 Coats ASTRA Spun Polyester Tex 27 40/2		425 meter	0.0	0	Vintage Blue	Crushed Blue	Collegiate Navy	Carbon	Vivid Blue
Label 1	006564 33mm Care Content ECO Booklet Fold label with fully translated country of origin WHT/BLK for most, BLK/WHT for Titanium only, GRY/BLK is for Garment DYE ONLY- waiting on updated artwork		1 ea	0.0	0	White, Black	White, Black	White, Black	White, Black	White, Black
Hangtag Package Part	111006 PFG Omni-Shade UPF 50, Omni-Wick Hangtag		1 ea	0.0	0	Artwork	Artwork	Artwork	Artwork	Artwork
Hangtag Package Part	121612 MSRP/UPC with RFID Specs for MSRP. Please refer to VAS specs for any exceptions. MSRP required on all product shipping to the US.		1 ea	0.0	0	Artwork	Artwork	Artwork	Artwork	Artwork
Hangtag Package Part	126967 Regular Fit Swing Tag		1 ea	0.0	0	Artwork	Artwork	Artwork	Artwork	Artwork
Packaging 1	980001 Polybag See Standard CCS 4200 for specifications		1 ea	0.0	0	Stock	Stock	Stock	Stock	Stock
Packaging 2	980010 UPC Bag Sticker Generic (MHW/Columbia) See CCS4400/ 4401 and MHW4402 for Mt Hardware for instructions		1 ea	0.0	0	Artwork	Artwork	Artwork	Artwork	Artwork
Packaging 3	064194 Outer Carton for costing purpose only		1 ea	0.0	0	Stock	Stock	Stock	Stock	Stock

**Color BOM**

Line Slot: Slack Tide Solid Camp Shirt  
 Merchandise Division: Sportswear  
 Designer: karie.carter  
 Fit Engineer: alicehan

Merchandise Collection: PFG  
 Developer: alicehan

State: Production  
 Product Class: Woven Tops S/S  
 LO Developer: nguyen.dung

Season: F25  
 Sourcing Manager: melissa.gallagher



Design: S5MS157705      Sample LO:  
 Style Material Style      Style Description      Pattern      Production LO: India  
 FJ7042      1577054      Slack Tide™      M15S1024      Base Size      Size Scale      Fit      SMU Type  
    Camp Shirt      2XT      LT - 5XT      Regular      N/A

Component	Details	Placement	Usage	Width	Marker Width	551-Lavender Pearl	607-Beet	853-Melonade
<b>SAP Material Code</b>						1577052551 1577051551 1577054551	1577052607 1577051607 1577054607	1577052853 1577051853 1577054853
<b>SMU Accounts</b>						N/A	N/A	N/A
Shell 1	099294 SlackTide dobby UPF 50 Dobby 100% Polyester 158 X 120 50D SD DTY x 50D SD DTY UV Cut, Wicking MaterialCoatingNone MaterialLaminateNone 73.0 g/m2 Piece Dye/Jet NA		1.557 yd	54.0	0	Lavender Pearl	Beet	Melonade
Lining 1	055984 Polyester Microfiber Sueded face and back Interlock 100% Polyester 32 Sanded/Peached (technical back), Sanded/Peached (technical face) MaterialCoatingNone Polyethylene 147.0 g/m2 Piece Dye/Jet NA		0.007 yd	63.0	0	Cool Grey	Cool Grey	Cool Grey
Lining 2	200001 Mesh-Warp Knit 2mm mesh hole size Mesh 100% Polyester 28 MaterialFinishNone MaterialCoatingNone MaterialLaminateNone 65.0 g/m2 Piece Dye/Jet		0.161 yd	60.0	0	White	White	White
Interfacing 1	011953 Interlining Non-Woven Fusible Medium Weight for Garment Wash Interlining 100% Polyester 40.0 g/m2		0.155 yd	60.0	0	White	White	White

### Color BOM

Line Slot: Slack Tide Solid Camp Shirt  
 Merchandise Division: Sportswear  
 Designer: karie.carter  
 Fit Engineer: alicehan

Merchandise Collection: PFG  
 Developer: alicehan

State: Production  
 Product Class: Woven Tops S/S  
 LO Developer: nguyen.dung

Season: F25  
 Sourcing Manager: melissa.gallagher



Design:	S5MS157705	Sample LO:		Production LO:	India		
Style	Material Style	Style Description	Pattern	Base Size	Size Scale	Fit	SMU Type
FJ7042	1577054	Slack Tide™ Camp Shirt	M15S1024	2XT	LT - 5XT	Regular	N/A

Component	Details	Placement	Usage	Width	Marker Width	551-Lavender Pearl	607-Beet	853-Melonade
<b>SAP Material Code</b>						1577052551 1577051551 1577054551	1577052607 1577051607 1577054607	1577052853 1577051853 1577054853
Button 1	400070 20L 4H Columbia Logo Button or Lt Horn DTM (White is not available)(Call out Light Horn on BOM for Light Horn, undyed) Width: 20.0		7 ea	0.0	0	Lavender Pearl	Beet	Melonade
Direct Embroidery 1	022083 70mm Omni-Shade Embroidery 1 clr. Est st ct 774	***FOR EU/INTL/IDR ORDERS - DO NOT USE AS GARMENT STYLE DOES NOT MEET EU PPE REQUIREMENTS***See EU UPF PPE Market list from Compliance Team for countries affected.	1 ea	0.0	0	Columbia Grey	Columbia Grey	Columbia Grey
Drawcord-Cording-Laces 1	070437 2.5mm 4 color non stretch d/c		0.063 yd	0.0	0	Cool Grey, Grill, White, Nightshade	Cool Grey, Grill, White, Nightshade	Cool Grey, Grill, White, Nightshade
Heat Transfer Glued 1	036635 47.4mm Gem Columbia heat Transfer brand size 2 3 clr CANNOT SHOW INSEAM		1 ea	0.0	0	White, Columbia Grey, Compass Blue	White, Columbia Grey, Compass Blue	White, Columbia Grey, Compass Blue
Label Logo 1	080595 27mm Gem Columbia PFG Woven Clamshell Label with folded ends (Above) 2 clr		1 ea	0.0	0	Cool Grey, Nightshade	Cool Grey, Nightshade	Cool Grey, Nightshade
Label Logo 2	058652 51mm PFG Triangle Logo laser Cut Wvn label		1 ea	0.0	0	PMS Cool Grey 3, PMS Cool Grey 7, Nightshade, White	PMS Cool Grey 3, PMS Cool Grey 7, Nightshade, White	PMS Cool Grey 3, PMS Cool Grey 7, Nightshade, White
Label Logo 3	057380 15mm Double-sided sun glasses woven swing label 2 clr		1 ea	0.0	0	Columbia Grey, White	Columbia Grey, White	Columbia Grey, White
Thread 1	008214 Coats ASTRA Spun Polyester Tex 27 40/2		425 meter	0.0	0	Lavender Pearl	Beet	Melonade
Label 1	006564 33mm Care Content ECO Booklet Fold label with fully translated country of origin WHT/BLK for most, BLK/WHT for Titanium only, GRY/BLK is for Garment DYE ONLY-waiting on updated artwork		1 ea	0.0	0	White, Black	White, Black	White, Black
Hangtag Package Part	111006 PFG Omni-Shade UPF 50, Omni-Wick Hangtag		1 ea	0.0	0	Artwork	Artwork	Artwork

### Color BOM

Line Slot: Slack Tide Solid Camp Shirt		State: Production		Season: F25	
Merchandise Division: Sportswear		Merchandise Collection: PFG		Product Class: Woven Tops S/S	
Designer: karie.carter		Developer: alicehan		LO Developer: nguyen.dung	
Fit Engineer: alicehan				Sourcing Manager: melissa.gallagher	
Design: S5MS157705		Sample LO:		Production LO: India	
Style Material Style		Style Description		Base Size	
FJ7042		Slack Tide™ Camp Shirt		Size Scale	
		M15S1024		2XT	
				LT - 5XT	
				Fit	
				Regular	
				SMU Type	
				N/A	



Component	Details	Placement	Usage	Width	Marker Width	551-Lavender Pearl	607-Beet	853-Melonade
<b>SAP Material Code</b>						1577052551 1577051551 1577054551	1577052607 1577051607 1577054607	1577052853 1577051853 1577054853
Hangtag Package Part	121612 MSRP/UPC with RFID Specs for MSRP. Please refer to VAS specs for any exceptions. MSRP required on all product shipping to the US.		1 ea	0.0	0	Artwork	Artwork	Artwork
Hangtag Package Part	126967 Regular Fit Swing Tag		1 ea	0.0	0	Artwork	Artwork	Artwork
Packaging 1	980001 Polybag See Standard CCS 4200 for specifications		1 ea	0.0	0	Stock	Stock	Stock
Packaging 2	980010 UPC Bag Sticker Generic (MHW/Columbia) See CCS4400/ 4401 and MHW4402 for Mt Hardwear for instructions		1 ea	0.0	0	Artwork	Artwork	Artwork
Packaging 3	064194 Outer Carton for costing purpose only		1 ea	0.0	0	Stock	Stock	Stock

This is confidential and proprietary information of Columbia Sportswear Company. You agree that you will not disclose this information to any third party or use it for any purpose other than on behalf of Columbia. You have no right to use Columbia's name or any of its trademarks, trade names, copyrights, patents, designs or other intellectual property except as set forth in writing by Columbia.

## Colorless BOM

Line Slot: Slack Tide Solid Camp Shirt      State: Production      Season: F25  
 Merchandise Division: Sportswear      Merchandise Collection: PFG      Product Class: Woven Tops S/S  
 Designer: karie.carter      Developer: alicehan      LO Developer: nguyen.dung      Sourcing Manager: melissa.gallagher  
 Fit Engineer: alicehan  
 Design: S5MS157705      Sample LO:      Production LO: India  
 Style: FJ7042      Material Style: 1577054      Style Description: Slack Tide™ Camp Shirt      Pattern: M15S1024      Base Size: 2XT      Size Scale: LT - 5XT      Fit: Regular      SMU Type: N/A



Component	Details	Placement	Usage	Width	Marker Width
<b>SAP Material Code</b>					
Shell 1	099294 SlackTide dobby UPF 50 Dobby 100% Polyester 158 X 120 50D SD DTY x 50D SD DTY UV Cut, Wicking MaterialCoatingNone MaterialLaminateNone 73.0 g/m2 Piece Dye/Jet NA		1.557 yd	54.0	0
Lining 1	055984 Polyester Microfiber Sueded face and back Interlock 100% Polyester 32 Sanded/Peached (technical back), Sanded/Peached (technical face) MaterialCoatingNone Polyethylene 147.0 g/m2 Piece Dye/Jet NA		0.007 yd	63.0	0
Lining 2	200001 Mesh-Warp Knit 2mm mesh hole size Mesh 100% Polyester 28 MaterialFinishNone MaterialCoatingNone MaterialLaminateNone 65.0 g/m2 Piece Dye/Jet		0.161 yd	60.0	0
Interfacing 1	011953 Interlining Non-Woven Fusible Medium Weight for Garment Wash Interlining 100% Polyester 40.0 g/m2		0.155 yd	60.0	0
Button 1	400070 20L 4H Columbia Logo Button or Lt Horn DTM (White is not available)(Call out Light Horn on BOM for Light Horn, undyed) Width: 20.0		7 ea	0.0	0
Direct Embroidery 1	022083 70mm Omni-Shade Embroidery 1 clr. Est st ct 774	***FOR EU/INTL/IDR ORDERS - DO NOT USE AS GARMENT STYLE DOES NOT MEET EU PPE REQUIREMENTS***See EU UPF PPE Market list from Compliance Team for countries affected.	1 ea	0.0	0
Drawcord-Cording-Laces 1	070437 2.5mm 4 color non stretch d/c		0.063 yd	0.0	0
Heat Transfer Glued 1	036635 47.4mm Gem Columbia heat Transfer brand size 2 3 clr CANNOT SHOW INSEAM		1 ea	0.0	0
Label Logo 1	080595 27mm Gem Columbia PFG Woven Clamshell Label with folded ends (Above) 2 clr		1 ea	0.0	0
Label Logo 2	058652 51mm PFG Triangle Logo laser Cut Wvn label		1 ea	0.0	0

### Colorless BOM



Line Slot: Slack Tide Solid Camp Shirt      State: Production      Season: F25  
 Merchandise Division: Sportswear      Merchandise Collection: PFG      Product Class: Woven Tops S/S  
 Designer: karie.carter      Developer: alicehan      LO Developer: nguyen.dung      Sourcing Manager: melissa.gallagher  
 Fit Engineer: alicehan  
 Design: S5MS157705      Sample LO:      Production LO: India  
 Style Material Style Style Description Pattern Base Size Size Scale Fit SMU Type  
 FJ7042 1577054 Slack Tide™ Camp Shirt M15S1024 2XT LT - 5XT Regular N/A

Component	Details	Placement	Usage	Width	Marker Width
<b>SAP Material Code</b>					
Label Logo 3	057380 15mm Double-sided sun glasses woven swing label 2 clr		1 ea	0.0	0
Thread 1	008214 Coats ASTRA Spun Polyester Tex 27 40/2		425 meter	0.0	0
Label 1	006564 33mm Care Content ECO Booklet Fold label with fully translated country of origin WHT/BLK for most, BLK/WHT for Titanium only, GRY/BLK is for Garment DYE ONLY- waiting on updated artwork		1 ea	0.0	0
Hangtag Package Part	111006 PFG Omni-Shade UPF 50, Omni-Wick Hangtag		1 ea	0.0	0
Hangtag Package Part	121612 MSRP/UPC with RFID Specs for MSRP. Please refer to VAS specs for any exceptions. MSRP required on all product shipping to the US.		1 ea	0.0	0
Hangtag Package Part	126967 Regular Fit Swing Tag		1 ea	0.0	0
Packaging 1	980001 Polybag See Standard CCS 4200 for specifications		1 ea	0.0	0
Packaging 2	980010 UPC Bag Sticker Generic (MHW/Columbia) See CCS4400/ 4401 and MHW4402 for Mt Hardwear for instructions		1 ea	0.0	0
Packaging 3	064194 Outer Carton for costing purpose only		1 ea	0.0	0

This is confidential and proprietary information of Columbia Sportswear Company. You agree that you will not disclose this information to any third party or use it for any purpose other than on behalf of Columbia. You have no right to use Columbia's name or any of its trademarks, trade names, copyrights, patents, designs or other intellectual property except as set forth in writing by Columbia.



## Color Specification

Line Slot: Slack Tide Solid Camp Shirt  
 Merchandise Division: Sportswear  
 Designer: karie.carter  
 Fit Engineer: alicehan

Merchandise Collection: PFG  
 Developer: alicehan

State: Production  
 Product Class: Woven Tops S/S  
 LO Developer: nguyen.dung

Season: F25  
 Sourcing Manager: melissa.gallagher



Design:	S5MS157705	Sample LO:		Production LO:	India				
Style	Material Style	Style Description	Pattern	Base Size	Size Scale	Fit	SMU Type		
FJ7042	1577054	Slack Tide™ Camp Shirt	M15S1024	2XT	LT - 5XT	Regular	N/A		

Component - Material	010-Black	019-Cool Grey	100-White	316-Cypress	357-Misty Jade	456-Vintage Blue	461-Crushed Blue	464-Collegiate Navy	469-Carbon	487-Vivid Blue
Shell 1 - 099294	Black	Cool Grey	White	Cypress	Misty Jade	Vintage Blue	Crushed Blue	Collegiate Navy	Carbon	Vivid Blue
Button 1 - 400070										
Thread 1 - 008214										
Lining 1 - 055984	Cool Grey	Cool Grey	Cool Grey	Cool Grey	Cool Grey	Cool Grey	Cool Grey	Cool Grey	Cool Grey	Cool Grey
Lining 2 - 200001	White	White	White	White	White	White	White	White	White	White
Interfacing 1 - 011953										
Direct Embroidery 1 - 022083	Columbia Grey	Grill	Grill	Columbia Grey	White	Columbia Grey	Columbia Grey	Columbia Grey	Columbia Grey	Columbia Grey
Drawcord-Cording-Laces 1 - 070437	Cool Grey, Grill, White, Nightshade	Cool Grey, Grill, White, Nightshade	Cool Grey, Grill, White, Nightshade	Cool Grey, Grill, White, Nightshade	Cool Grey, Grill, White, Nightshade	Cool Grey, Grill, White, Nightshade	Cool Grey, Grill, White, Nightshade	Cool Grey, Grill, White, Nightshade	Cool Grey, Grill, White, Nightshade	Cool Grey, Grill, White, Nightshade
Heat Transfer Glued 1 - 036635	White, Columbia Grey, Compass Blue	White, Columbia Grey, Compass Blue	White, Columbia Grey, Compass Blue	White, Columbia Grey, Compass Blue	White, Columbia Grey, Compass Blue	White, Columbia Grey, Compass Blue	White, Columbia Grey, Compass Blue	White, Columbia Grey, Compass Blue	White, Columbia Grey, Compass Blue	White, Columbia Grey, Compass Blue
Label Logo 1 - 080595	Cool Grey, Nightshade	Cool Grey, Nightshade	Cool Grey, Nightshade	Cool Grey, Nightshade	Cool Grey, Nightshade	Cool Grey, Nightshade	Cool Grey, Nightshade	Cool Grey, Nightshade	Cool Grey, Nightshade	Cool Grey, Nightshade
Label Logo 2 - 058652	PMS Cool Grey 3, PMS Cool Grey 7, Nightshade, White	PMS Cool Grey 3, PMS Cool Grey 7, Nightshade, White	PMS Cool Grey 3, PMS Cool Grey 7, Nightshade, White	PMS Cool Grey 3, PMS Cool Grey 7, Nightshade, White	PMS Cool Grey 3, PMS Cool Grey 7, Nightshade, White	PMS Cool Grey 3, PMS Cool Grey 7, Nightshade, White	PMS Cool Grey 3, PMS Cool Grey 7, Nightshade, White	PMS Cool Grey 3, PMS Cool Grey 7, Nightshade, White	PMS Cool Grey 3, PMS Cool Grey 7, Nightshade, White	PMS Cool Grey 3, PMS Cool Grey 7, Nightshade, White
Label Logo 3 - 057380	Columbia Grey, White	Columbia Grey, White	Columbia Grey, White	Columbia Grey, White	Columbia Grey, White	Columbia Grey, White	Columbia Grey, White	Columbia Grey, White	Columbia Grey, White	Columbia Grey, White
Label 1 - 006564	White, Black	White, Black	White, Black	White, Black	White, Black	White, Black	White, Black	White, Black	White, Black	White, Black
Hangtag Package Part - 111006	Artwork	Artwork	Artwork	Artwork	Artwork	Artwork	Artwork	Artwork	Artwork	Artwork
Hangtag Package Part - 121612										
Hangtag Package Part - 126967										
Packaging 2 - 980010	Stock	Stock	Stock	Stock	Stock	Stock	Stock	Stock	Stock	Stock
Packaging 1 - 980001										
Packaging 3 - 064194										

## Color Specification

Line Slot: Slack Tide Solid Camp Shirt	State: Production	Season: F25
Merchandise Division: Sportswear	Merchandise Collection: PFG	Product Class: Woven Tops S/S
Designer: karie.carter	Developer: alicehan	LO Developer: nguyen.dung
Fit Engineer: alicehan		Sourcing Manager: melissa.gallagher
Design: S5MS157705	Sample LO:	Production LO: India
Style: FJ7042	Material Style: 1577054	Style Description: Slack Tide™ Camp Shirt
	Pattern: M15S1024	Base Size: 2XT
		Size Scale: LT - 5XT
		Fit: Regular
		SMU Type: N/A



Component - Material	551-Lavender Pearl	607-Beet	853-Melonade
Shell 1 - 099294	Lavender Pearl	Beet	Melonade
Button 1 - 400070			
Thread 1 - 008214			
Lining 1 - 055984	Cool Grey	Cool Grey	Cool Grey
Lining 2 - 200001	White	White	White
Interfacing 1 - 011953			
Direct Embroidery 1 - 022083	Columbia Grey	Columbia Grey	Columbia Grey
Drawcord-Cording-Laces 1 - 070437	Cool Grey, Grill, White, Nightshade	Cool Grey, Grill, White, Nightshade	Cool Grey, Grill, White, Nightshade
Heat Transfer Glued 1 - 036635	White, Columbia Grey, Compass Blue	White, Columbia Grey, Compass Blue	White, Columbia Grey, Compass Blue
Label Logo 1 - 080595	Cool Grey, Nightshade	Cool Grey, Nightshade	Cool Grey, Nightshade
Label Logo 2 - 058652	PMS Cool Grey 3, PMS Cool Grey 7, Nightshade, White	PMS Cool Grey 3, PMS Cool Grey 7, Nightshade, White	PMS Cool Grey 3, PMS Cool Grey 7, Nightshade, White
Label Logo 3 - 057380	Columbia Grey, White	Columbia Grey, White	Columbia Grey, White
Label 1 - 006564	White, Black	White, Black	White, Black
Hangtag Package Part - 111006	Artwork	Artwork	Artwork
Hangtag Package Part - 121612			
Hangtag Package Part - 126967			
Packaging 2 - 980010	Stock	Stock	Stock
Packaging 1 - 980001			
Packaging 3 - 064194			

This is confidential and proprietary information of Columbia Sportswear Company. You agree that you will not disclose this information to any third party or use it for any purpose other than on behalf of Columbia. You have no right to use Columbia's name or any of its trademarks, trade names, copyrights, patents, designs or other intellectual property except as set forth in writing by Columbia.

### Costing BOM

Line Slot: Slack Tide Solid Camp Shirt  
 Merchandise Division: Sportswear  
 Designer: karie.carter  
 Fit Engineer: alicehan

Merchandise Collection: PFG  
 Developer: alicehan

State: Production  
 Product Class: Woven Tops S/S  
 LO Developer: nguyen.dung

Season: F25  
 Sourcing Manager: melissa.gallagher



Design:	S5MS157705	Sample LO:		Production LO:	India		
Style	Material Style	Style Description	Pattern	Base Size	Size Scale	Fit	SMU Type
FJ7042	1577054	Slack Tide™ Camp Shirt	M15S1024	2XT	LT - 5XT	Regular	N/A

Colorway Number	Color Way	FOB Material	CIF Material	FOB Trim	CIF Trim	Allowance %	Total FOB	Total CIF
010	Black	3.048	0.000	0.509	0.101	0.0	3.557	0.101
019	Cool Grey	3.048	0.000	0.509	0.101	0.0	3.557	0.101
100	White	3.048	0.000	0.509	0.101	0.0	3.557	0.101
316	Cypress	3.048	0.000	0.509	0.101	0.0	3.557	0.101
357	Misty Jade	3.048	0.000	0.509	0.101	0.0	3.557	0.101
456	Vintage Blue	3.048	0.000	0.509	0.101	0.0	3.557	0.101
461	Crushed Blue	3.048	0.000	0.509	0.101	0.0	3.557	0.101
464	Collegiate Navy	3.048	0.000	0.509	0.101	0.0	3.557	0.101
469	Carbon	3.048	0.000	0.509	0.101	0.0	3.557	0.101
487	Vivid Blue	3.048	0.000	0.509	0.101	0.0	3.557	0.101
551	Lavender Pearl	3.048	0.000	0.509	0.101	0.0	3.557	0.101
607	Beet	3.048	0.000	0.509	0.101	0.0	3.557	0.101
853	Melonade	3.048	0.000	0.509	0.101	0.0	3.557	0.101

### Costing BOM

Line Slot: Slack Tide Solid Camp Shirt  
 Merchandise Division: Sportswear  
 Designer: karie.carter  
 Fit Engineer: alicehan

Merchandise Collection: PFG  
 Developer: alicehan

State: Production  
 Product Class: Woven Tops S/S  
 LO Developer: nguyen.dung

Season: F25  
 Sourcing Manager: melissa.gallagher



Design:	S5MS157705	Sample LO:		Production LO:	India		
Style	Material Style	Style Description	Pattern	Base Size	Size Scale	Fit	SMU Type
FJ7042	1577054	Slack Tide™ Camp Shirt	M15S1024	2XT	LT - 5XT	Regular	N/A

Component	Material	Description	Fabric Width	Supplier	Locked	Country of Origin	Managin g Liaison Office	UoM	Target Cost	FOB Unit Cost	CIF Unit Cost	Usage	Wastage %	Total FOB	Total CIF
Shell 1	099294	SlackTide dobby UPF 50	54.0	Haren Textiles Pvt. Ltd.	Y	India	India	yd	0.0	1.8	0.0	1.557	3	2.887	0.000
Lining 1	055984	Polyester Microfiber Sueded face and back	63.0	Far Eastern Textile Ltd.	N	Taiwan	Taiwan-Taipei	yd	2.94	2.3	0.0	0.007	7	0.017	0.000
Lining 2	200001	Mesh-Warp Knit 2mm mesh hole size	60.0	Haren Textiles Pvt. Ltd.	Y	India	India	yd	0.0	0.46	0.0	0.161	7	0.079	0.000
Interfacing 1	011953	Interlining Non-Woven Fusible Medium Weight for Garment Wash	60.0	PCC asia LLC	Y	China	India	yd	0.0	0.41	0.0	0.155	3	0.065	0.000

### Costing BOM

Line Slot: Slack Tide Solid Camp Shirt  
 Merchandise Division: Sportswear  
 Designer: karie.carter  
 Fit Engineer: alicehan

Merchandise Collection: PFG  
 Developer: alicehan

State: Production  
 Product Class: Woven Tops S/S  
 LO Developer: nguyen.dung

Season: F25  
 Sourcing Manager: melissa.gallagher



Design: S5MS157705  
 Style Material Style: FJ7042 1577054

Sample LO:  
 Style Description: Slack Tide™ Camp Shirt  
 Pattern: M15S1024

Production LO: India  
 Base Size: 2XT  
 Size Scale: LT - 5XT

Fit: Regular  
 SMU Type: N/A

Component	Material	Description	Fabric Width	Supplier	Locked	Country of Origin	Managin g Liaison Office	UoM	Target Cost	FOB Unit Cost	CIF Unit Cost	Usage	Wastage %	Total FOB	Total CIF
Button 1	400070	20L 4H Columbia Logo Button or Lt Horn DTM (White is not available)(Call out Light Horn on BOM for Light Horn, undyed)	0.0	BANGAL ORE SALES CORPORATION	Y	India	India	ea	0.0	0.0086	0.0	7.000	2.0	0.061	0.000
Direct Embroidery 1	022083	70mm Omni-Shade Embroidery 1 cr. Est st ct 774	0.0	FGV Sourced	N	unassigne d	Portland	ea	0.0	0.0	0.0	1.000	2.0	0.000	0.000
Drawcord-Cording-Laces 1	070437	2.5mm 4 color non stretch d/c	0.0	FGV - Shahi Exports Pvt. (SEP) Ltd.	Y	India	India	yd	0.0	0.042	0.0	0.063	7.0	0.003	0.000

### Costing BOM

Line Slot: Slack Tide Solid Camp Shirt  
 Merchandise Division: Sportswear  
 Designer: karie.carter  
 Fit Engineer: alicehan

Merchandise Collection: PFG  
 Developer: alicehan

State: Production  
 Product Class: Woven Tops S/S  
 LO Developer: nguyen.dung

Season: F25  
 Sourcing Manager: melissa.gallagher



Design: S5MS157705  
 Style Material Style  
 FJ7042 1577054

Sample LO:  
 Style Description Pattern  
 Slack Tide™ M15S1024  
 Camp Shirt

Production LO: India  
 Base Size Size Scale Fit SMU Type  
 2XT LT - 5XT Regular N/A

Component	Material	Description	Fabric Width	Supplier	Locked	Country of Origin	Managin g Liaison Office	UoM	Target Cost	FOB Unit Cost	CIF Unit Cost	Usage	Wastage %	Total FOB	Total CIF
Heat Transfer Glued 1	036635	47.4mm Gem Columbia heat Transfer brand size 2 3 clr CANNOT SHOW INSEAM	0.0	Stapros	N	Taiwan	Taiwan-Taipei	ea	0.0	0.09	0.099	1.000	2.0	0.092	0.101
Label Logo 1	080595	27mm Gem Columbia PFG Woven Clamshell Label with folded ends (Above) 2 clr	0.0	Avery Dennison Global	N	unassigned	Portland	ea	0.0	0.03038	0.0	1.000	3.0	0.031	0.000
Label Logo 2	058652	51mm PFG Triangle Logo laser Cut Wvn label	0.0	Manohar Filaments	Y	India	India	ea	0.0	0.036	0.0	1.000	3.0	0.037	0.000
Label Logo 3	057380	15mm Double-sided sun glasses woven swing label 2 clr	0.0	Dong Young	Y	South Korea	Taiwan-Taipei	ea	0.0	0.018	0.0	1.000	3.0	0.019	0.000

### Costing BOM

Line Slot: Slack Tide Solid Camp Shirt  
 Merchandise Division: Sportswear  
 Designer: karie.carter  
 Fit Engineer: alicehan

Merchandise Collection: PFG  
 Developer: alicehan

State: Production  
 Product Class: Woven Tops S/S  
 LO Developer: nguyen.dung

Season: F25  
 Sourcing Manager: melissa.gallagher



Design: S5MS157705  
 Style Material Style  
 FJ7042 1577054

Sample LO:  
 Style Description Pattern  
 Slack Tide™ M15S1024  
 Camp Shirt

Production LO: India  
 Base Size Size Scale Fit SMU Type  
 2XT LT - 5XT Regular N/A

Component	Material	Description	Fabric Width	Supplier	Locked	Country of Origin	Managing Liaison Office	UoM	Target Cost	FOB Unit Cost	CIF Unit Cost	Usage	Wastage %	Total FOB	Total CIF
Thread 1	008214	Coats ASTRA Spun Polyester Tex 27 40/2	0.0	Coats Global Thread	N	unassigned	Portland	meter	0.0	0.0003	0.0	425.000	5.0	0.134	0.000
Label 1	006564	33mm Care Content ECO Booklet Fold label with fully translated country of origin WHT/BLK for most, BLK/WHT for Titanium only, GRY/BLK is for Garment DYE ONLY- waiting on updated artwork	0.0	Avery Dennison Global	N	China	Portland	ea	0.0	0.016	0.0	1.000	3.0	0.016	0.000
Hangtag Package Part	111006	PFG Omni-Shade UPF 50, Omni-Wick Hangtag	0.0	Hang Sang Press Co. Ltd	N	unassigned	Portland	ea	0.0	0.0287	0.0	1.000	3.0	0.030	0.000

### Costing BOM

Line Slot: Slack Tide Solid Camp Shirt  
 Merchandise Division: Sportswear  
 Designer: karie.carter  
 Fit Engineer: alicehan

Merchandise Collection: PFG  
 Developer: alicehan

State: Production  
 Product Class: Woven Tops S/S  
 LO Developer: nguyen.dung

Season: F25  
 Sourcing Manager: melissa.gallagher



Design: S5MS157705  
 Style Material Style  
 FJ7042 1577054

Sample LO:  
 Style Description Pattern  
 Slack Tide™ M15S1024  
 Camp Shirt

Production LO: India  
 Base Size Size Scale Fit SMU Type  
 2XT LT - 5XT Regular N/A

Component	Material	Description	Fabric Width	Supplier	Locked	Country of Origin	Managing Liaison Office	UoM	Target Cost	FOB Unit Cost	CIF Unit Cost	Usage	Wastage %	Total FOB	Total CIF
Hangtag Package Part	121612	MSRP/UPC with RFID Specs for MSRP. Please refer to VAS specs for any exceptions. MSRP required on all product shipping to the US.	0.0	Avery Dennison Global	N	unassigned	Portland	ea	0.0	0.04875	0.0	1.000	5.0	0.051	0.000
Hangtag Package Part	126967	Regular Fit Swing Tag	0.0	Hang Sang Press Co. Ltd	N	unassigned	Portland	ea	0.0	0.023	0.0	1.000	3.0	0.024	0.000
Packaging 1	980001	Polybag See Standard CCS 4200 for specifications	0.0	Contractor	N	unassigned	Hong Kong	ea	0.0	0.0	0.0	1.000	3.0	0.000	0.000



### Costing BOM

Line Slot: Slack Tide Solid Camp Shirt  
 Merchandise Division: Sportswear  
 Designer: karie.carter  
 Fit Engineer: alicehan

Merchandise Collection: PFG  
 Developer: alicehan

State: Production  
 Product Class: Woven Tops S/S  
 LO Developer: nguyen.dung

Season: F25  
 Sourcing Manager: melissa.gallagher



Design: S5MS157705      Sample LO:  
 Style Material Style      Style Description      Pattern      Base Size      Size Scale      Fit      SMU Type  
 FJ7042      1577054      Slack Tide™ Camp Shirt      M15S1024      2XT      LT - 5XT      Regular      N/A

Component	Material	Description	Fabric Width	Supplier	Locked	Country of Origin	Managing Liaison Office	UoM	Target Cost	FOB Unit Cost	CIF Unit Cost	Usage	Wastage %	Total FOB	Total CIF
Packaging 2	980010	UPC Bag Sticker Generic (MHW/Columbia) See CCS4400/4401 and MHW4402 for Mt Hardware for instructions	0.0	Avery Dennison Global	Y	China	Portland	ea	0.0	0.01089	0.0	1.000	5.0	0.011	0.000
Packaging 3	064194	Outer Carton for costing purpose only	0.0	Contractor	N	unassigned	Hong Kong	ea	0.0	0.0	0.0	1.000	3.0	0.000	0.000

### Costing BOM

Line Slot: Slack Tide Solid Camp Shirt		State: Production		Season: F25			
Merchandise Division: Sportswear		Merchandise Collection: PFG		Product Class: Woven Tops S/S			
Designer: karie.carter		Developer: alicehan		LO Developer: nguyen.dung			
Fit Engineer: alicehan				Sourcing Manager: melissa.gallagher			
Design:	S5MS157705	Sample LO:		Production LO:	India		
Style	Material Style	Style Description	Pattern	Base Size	Size Scale	Fit	SMU Type
FJ7042	1577054	Slack Tide™ Camp Shirt	M15S1024	2XT	LT - 5XT	Regular	N/A



This is confidential and proprietary information of Columbia Sportswear Company. You agree that you will not disclose this information to any third party or use it for any purpose other than on behalf of Columbia. You have no right to use Columbia's name or any of its trademarks, trade names, copyrights, patents, designs or other intellectual property except as set forth in writing by Columbia.

### Instructions

Line Slot: Slack Tide Solid Camp Shirt      State: Production      Season: F25  
 Merchandise Division: Sportswear      Merchandise Collection: PFG      Product Class: Woven Tops S/S  
 Designer: karie.carter      Developer: alicehan      LO Developer: nguyen.dung      Sourcing Manager: melissa.gallagher  
 Fit Engineer: alicehan  
 Design: S5MS157705      Sample LO:      Production LO: India  
 Style      Material Style      Style Description      Pattern      Base Size      Size Scale      Fit      SMU Type  
 FJ7042      1577054      Slack Tide™ Camp Shirt      M15S1024      2XT      LT - 5XT      Regular      N/A



Category	Subcategory	Description	Comments
BUTTONHOLES	BUTTONHOLES FUNCTIONAL	SIZED TO ACCOMMODATE BUTTON	6 Front Placket
BARTACKS	BARTACK FUNCTIONAL	3/8 INCH IN LENGTH	1 Sunglass loop 2 Chest pocket opening 4/2 Back vent opening
		1/2 INCH IN LENGTH	2/1 Side vent
EYELETS (SEWN)	EYELETS (SEWN)	SEE COMMENTS	3 Chest Pocket

This is confidential and proprietary information of Columbia Sportswear Company. You agree that you will not disclose this information to any third party or use it for any purpose other than on behalf of Columbia. You have no right to use Columbia's name or any of its trademarks, trade names, copyrights, patents, designs or other intellectual property except as set forth in writing by Columbia.

## Care Report

Line Slot: Slack Tide Solid Camp Shirt	State: Production	Season: F25					
Merchandise Division: Sportswear	Merchandise Collection: PFG	Product Class: Woven Tops S/S					
Designer: karie.carter	Developer: alicehan	LO Developer: nguyen.dung					
Fit Engineer: alicehan		Sourcing Manager: melissa.gallagher					
Design: S5MS157705	Sample LO:	Production LO: India					
Style FJ7042	Material Style 1577054	Style Description Slack Tide™ Camp Shirt	Pattern M15S1024	Base Size 2XT	Size Scale LT - 5XT	Fit Regular	SMU Type N/A



Care Code: 1050		Color Way Number	Color Way Name
<b>English</b>	Machine Wash Cold Gentle, Wash Separately, Do Not Bleach, Tumble Dry Low, Remove Promptly, Iron Low, Do Not Use Fabric Softener, Do Not Dryclean	010	Black
<b>French</b>	Lavage machine à froid, Cycle délicat, Laver séparément, Ne pas utiliser d'eau de javel, Séchage machine, basse température, Sortir immédiatement de la machine, Repasser à basse température, Ne pas utiliser d'assouplissant, Nettoyage à sec interdit	019	Cool Grey
<b>German</b>	Schonwaschgang mit kaltem Wasser, Separat waschen, Keine Bleichmittel verwenden, Trocknen im Wäschetrockner bei niedriger Temperatur, Sofort aus dem Trockner nehmen, Bügeln mit niedriger Temperatur, Keine Weichspüler verwenden, Nicht chemisch reinigen	100	White
<b>Portuguese</b>	Lavar à maquina com água fria, ciclo para roupas delicadas, Lavar separadamente, Não alvejar, Secar à máquina em temperatura baixa, Remover prontamente, Passar a ferro em baixa temperatura, Não usar amaciante, Não utilizar limpeza a seco	316	Cypress
<b>Spanish</b>	Lavar a maquina con agua fría, en ciclo delicado, Lavar por separado, No usar lejía, Usar secadora a temperatura baja, Retirar inmediatamente, Planchar a temperatura baja, No usar suavizante de telas, No lavar en seco	357	Misty Jade
<b>Italian</b>	Lavare in lavatrice in acqua fredda, ciclo delicato, Lavare separatamente, Non candeggiare, Asciugare a tamburo a bassa temperatura, Rimuovere tempestivamente, Stirare con ferro a temperatura bassa, Non utilizzare ammorbidente, Non lavare a secco	456	Vintage Blue
<b>Russian</b>	Щадящая машинная стирка в холодной воде, Стирать отдельно, Не отбеливать, Сушить при низкой температуре, Сразу убрать из сушилки, Гладить при низкой температуре, Не использовать кондиционер для тканей, Химчистка запрещена	461	Crushed Blue
<b>Czech Republican</b>	Praní v pračce při nízké teplotě, jemný cyklus, Prát samostatně, Nebělit, Sušení v sušičce, nízká teplota, Ihned odepnout, Žehlení při nízké teplotě, Nepoužívat aviváž, Nečistit chemicky	464	Collegiate Navy
<b>Hebrew</b>	כביסה במכונה במים קרים, כביסה עדינה, לכבס בנפרד, לא להלבין, לייבש במייבש כביסה בחום נמוך, להסיר מיד, לגרוץ בחום נמוך, לא להשתמש במרכך כביסה, לא לנקות בניקוי יבש	469	Carbon
<b>Hungarian</b>	Géppel mossa, hideg vízzel, kímélő programmal, Különválasztva mossa, Ne hasznájon fehéritőt, Szárítógépben alacsony hőfokon szárítsa, Mosás után azonnal vegye ki a gépből, Alacsony hőfokon vasalja, Ne hasznájon öblítőszer, Ne vegytisztítsa	487	Vivid Blue
<b>Polish</b>	Prac w temperaturze nie przekraczającej 30°C, cykl delikatny, Prac oddzielnie, Nie chlorować, Można suszyć bębnowo, niska temperatura, Natychmiast usunąć, Prasować w temperaturze do 100°C, Nie używać zmiękczacza do tkanin, Nie czyścić chemicznie	551	Lavender Pearl
<b>Portuguese Brazil</b>	Lavar à maquina com água fria, ciclo para roupas delicadas, Lavar separadamente, Não alvejar, Secar em tambor rotativo em temperatura baixa, Remover prontamente, Passar a ferro em baixa temperatura, Não usar amaciante, Não utilizar limpeza a seco	607	Beet
<b>Slovakian</b>	Perte v pračce v studenej vode, šetriaci program, Perte oddelene, Neodfarbujte, Sušte v bubnovej sušičke pri nízkych otáčkach, Okamžite odstráňte, Žehlite žehličkou s nízkou teplotou, Nepoužívajte avivážne prípravky, Nečistite chemicky	853	Melonade
<b>Slovenian</b>	Nežno mrzlo strojno pranje, Prati posebej, Ne belite, Nizko strojno sušenje, Odstraniti takoj, Nizko likanje, Ne uporabljati mehčalca, Ne suho čistiti		
<b>Spanish Latin American</b>	Lavar a maquina con agua fría, en ciclo delicado, Lavar por separado, No usar blanqueador, Usar secadora a temperatura baja, Retirar inmediatamente, Planchar a temperatura baja, No usar suavizante de telas, No lavar en seco		
<b>Turkish</b>	Makinada Yikanır, Soğuk, Narin Program, Ayrı Yıkayın, Ağartıcı Kullanmayın, Tambur Kurutma, Düşük, Hemen Çıkarın, Düşük Isıda Ütüleyin, Çamaşır Yumuşatıcısı Kullanmayın, Kuru Temizleme Yapmayın		
<b>Chinese Simplified</b>	冷水慢循环机洗, 分开洗涤, 请勿漂白, 低温滚筒烘干, 及时拆除, 低温熨烫, 请勿使用织物柔软剂, 请勿干洗		
<b>Chinese Traditional</b>	冷水慢迴圈機洗, 分開洗滌, 請勿漂白, 低溫滾筒烘乾, 及時拆除, 低溫熨燙, 請勿使用織物柔軟劑, 請勿乾洗		
<b>Japanese</b>	洗濯機水洗い(デリケートコース)、個別に洗濯してください、漂白剤使用不可、乾燥機使用可(低温)、すぐに外してください、アイロン可(低温)、柔軟剤の使用不可、ドライクリーニング不可		
<b>Korean</b>	가, 가,		
<b>Danish</b>	Kold maskinvask, skåneprogram, Vask separat, Må ikke afbleges, Tør i tørretumbler, lav, Fjern med det samme, Stryges ved lav temperatur, Brug ikke skyllemiddel, Må ikke renses kemisk		

### Care Report

Line Slot: Slack Tide Solid Camp Shirt

State: Production

Season: F25

Merchandise Division: Sportswear

Merchandise Collection: PFG

Product Class: Woven Tops S/S

Designer: karie.carter

Developer: alicehan

LO Developer: nguyen.dung

Sourcing Manager: melissa.gallagher

Fit Engineer: alicehan



Design: S5MS157705

Sample LO:

Production LO: India

Style Material Style

Style Description Pattern

Base Size Size Scale

Fit SMU Type

FJ7042

1577054

Slack Tide™  
Camp Shirt

2XT

LT - 5XT

Regular

N/A

**Norwegian**

Maskinvask kald, forsiktig, Vaskes separat, Må ikke blekes, Tørketrommel, lav, Fjernes umiddelbart, Strykes lav temp., Ikke bruk tøymykner, Skal ikke renses

**Swedish**

Maskintvättas kallt mjuk cykel, Tvättas separat, Får inte blekas, Torktumlas på låg nivå, Ta bort omgående, Stryks på lägsta nivå, Sköljmedel får inte användas, Kemtvättas inte

**Dutch**

Koud wassen in wasmachine op zacht, Apart wassen, Niet bleken, In droger op laag, Meteen verwijderen, Op laag strijken, Geen wasverzachter gebruiken, Niet laten stomen

**French Canadian**

Laver à la machine à l'eau froide, cycle délicat, Laver séparément, Ne pas utiliser d'agent de blanchiment, Séchage par culbutage à basse température, Retirer aussitôt sec, Repasser à basse température, Ne pas utiliser d'assouplisseur, Ne pas nettoyer à sec



## Content Report

Line Slot: Slack Tide Solid Camp Shirt	State: Production	Season: F25					
Merchandise Division: Sportswear	Merchandise Collection: PFG	Product Class: Woven Tops S/S					
Designer: karie.carter	Developer: alicehan	LO Developer: nguyen.dung					
Fit Engineer: alicehan		Sourcing Manager: melissa.gallagher					
Design: S5MS157705	Sample LO:	Production LO: India					
Style: FJ7042	Material Style: 1577054	Style Description: Slack Tide™ Camp Shirt	Pattern: M15S1024	Base Size: 2XT	Size Scale: LT - 5XT	Fit: Regular	SMU Type: N/A



CONTENT CODE: BVO		Color Way Number	Color Way Name
Shell: 100% Polyester			
Lining: 100% Polyester Exclusive of Trimming			
FRENCH	Extérieur: 100% Polyester	010	Black
	Doublure: 100% Polyester Sauf les bordures	019	Cool Grey
		100	White
GERMAN	Außenhülle: 100% Polyester	316	Cypress
	Futter: 100% Polyester Ohne Besatz	461	Crushed Blue
PORTUGUESE	Exterior: 100% Poliéster	464	Collegiate Navy
	Revestimento: 100% Poliéster Sem orlas	469	Carbon
SPANISH	Cubierta: 100% Poliéster	487	Vivid Blue
	Revestimiento: 100% Poliéster Exclusivo de los ribetes	551	Lavender Pearl
ITALIAN	Guscio esterno: 100% Poliestere	607	Beet
	Fodera: 100% Poliestere Ad eccezione dei bordini	853	Melonade
RUSSIAN	Оболочка: 100% Полиэфир	357	Misty Jade
	Подклад: 100% Полиэфир Без дополнительных деталей	456	Vintage Blue
CZECH REPUBLICAN	Skořepina: 100% Polyester		
	Podšívka: 100% Polyester Bez nášivek		
HEBREW	מעטפת חיצונית: 100% פוליאסטר		
	בטנה: 100% פוליאסטר ללא קישוט		
HUNGARIAN	Külső: 100% Poliészter		
	Bélés: 100% Poliészter Szegélydíszen kívül		
POLISH	Powłoka: 100% Poliester		
	Podszewka: 100% Poliester Wyłączając naszywki		
PORTUGUESE BRAZIL	Exterior: 100% Poliéster		
	Forro: 100% Poliéster Sem adornos		
SLOVAKIAN	Plášť: 100% Polyester		
	Podšívka: 100% Polyester Okrem lemovania		
SLOVENIAN	Lupina: 100% Poliester		
	Podloga: 100% Poliester Brez obrezovanja		
SPANISH LATIN AMERICAN	Cubierta: 100% Poliéster		
	Revestimiento: 100% Poliéster Exclusivo de los ribetes		
TURKISH	Kabuk: 100% Polyester		
	Astar: 100% Polyester Süsler Hariç		

### Content Report

Line Slot: Slack Tide Solid Camp Shirt	State: Production	Season: F25
Merchandise Division: Sportswear	Merchandise Collection: PFG	Product Class: Woven Tops S/S
Designer: karie.carter	Developer: alicehan	LO Developer: nguyen.dung
Fit Engineer: alicehan		Sourcing Manager: melissa.gallagher
Design: S5MS157705	Sample LO:	Production LO: India
Style: FJ7042	Material Style: 1577054	Style Description: Slack Tide™ Camp Shirt
Pattern: M15S1024	Base Size: 2XT	Size Scale: LT - 5XT
		Fit: Regular
		SMU Type: N/A



<b>CHINESE SIMPLIFIED</b>	<b>外壳:</b> 100% 聚酯 <b>衬里:</b> 100% 聚酯 不包括装饰品
<b>CHINESE TRADITIONAL</b>	<b>外殼:</b> 100% 聚酯 <b>襯裡:</b> 100% 聚酯 不包括裝飾品
<b>JAPANESE</b>	<b>シエル:</b> 100% ポリエステル <b>裏地:</b> 100% ポリエステル 装飾品を除く
<b>KOREAN</b>	<b>:</b> 100% <b>:</b> 100%
<b>DANISH</b>	<b>Skal:</b> 100% Polyester <b>Foring:</b> 100% Polyester Inkluderer ikke kant
<b>NORWEGIAN</b>	<b>Skall:</b> 100% Polyester <b>Foring:</b> 100% Polyester Eksklusiv trimming
<b>SWEDISH</b>	<b>Ytterdel:</b> 100% Polyester <b>Foder:</b> 100% Polyester Utan trimming
<b>DUTCH</b>	<b>Schelp:</b> 100% Polyester <b>Bekleding:</b> 100% Polyester Exclusief trimmen
<b>FRENCH CANADIAN</b>	<b>Extérieur:</b> 100% Polyester <b>Doublure:</b> 100% Polyester Exclut les bordures

### Pattern Piece Detail

Line Slot: Slack Tide Solid Camp Shirt      State: Production      Season: F25

Merchandise Division: Sportswear      Merchandise Collection: PFG      Product Class: Woven Tops S/S

Designer: karie.carter      Developer: alicehan      LO Developer: nguyen.dung      Sourcing Manager: melissa.gallagher

Fit Engineer: alicehan

Design:      S5MS157705      Sample LO:      Production LO:      India

Style	Material Style	Style Description	Pattern	Base Size	Size Scale	Fit	SMU Type
FJ7042	1577054	Slack Tide™ Camp Shirt	M15S1024	2XT	LT - 5XT	Regular	N/A



#### M15S1024 -

Component	Quantity	Long Description	Abbreviation	Code
-----------	----------	------------------	--------------	------

This is confidential and proprietary information of Columbia Sportswear Company. You agree that you will not disclose this information to any third party or use it for any purpose other than on behalf of Columbia. You have no right to use Columbia's name or any of its trademarks, trade names, copyrights, patents, designs or other intellectual property except as set forth in writing by Columbia.



### Measurements

Line Slot: Slack Tide Solid Camp Shirt  
 Merchandise Division: Sportswear  
 Designer: karie.carter  
 Fit Engineer: alicehan

Merchandise Collection: PFG  
 Developer: alicehan

State: Production  
 Product Class: Woven Tops S/S  
 LO Developer: nguyen.dung

Season: F25  
 Sourcing Manager: melissa.gallagher



Design: S5MS157705	Sample LO:	Production LO: India	
Style Material Style	Style Description	Pattern	Base Size
FJ7042 1577054	Slack Tide™ Camp Shirt	M15S1024	2XT
		Size Scale	Fit
		LT - 5XT	Regular
			SMU Type
			N/A

Sort Order	Use	Type	Placemen t	(+/-)	LT	XLT	2XT	3XT	4XT	5XT	
Grade Rule: CSC Mens Woven Tops - Tall - LT-5XT (2XT) - NT - Block: null											
1101.0	CHEST WIDTH - circumference - 1 inch down from armhole seam	QC	Graded		0.0	50.0	53.0	<b>56.0</b>	60.0	64.0	68.0
1300.0	WAIST WIDTH POSITION - from HPS		Graded		0.0	21.75	22.125	<b>22.5</b>	22.875	23.25	23.625
1400.0	WAIST WIDTH - circumference	QC	Graded		0.0	49.0	52.0	<b>55.0</b>	59.0	63.0	67.0
1610.0	SWEEP WIDTH - circumference	QC	Graded		0.0	49.0	52.0	<b>55.0</b>	59.0	63.0	67.0
2002.0	BACK BODY LENGTH - CB neck to edge of hem	QC	Graded		0.0	34.0	34.5	<b>35.0</b>	35.5	36.0	36.5
2203.0	SHOULDER WIDTH - Natural Shoulder - seam to seam	QC	Graded		0.0	20.5	21.5	<b>22.5</b>	23.5	24.5	25.5
2402.0	BACK YOKE HEIGHT - from CB neck seam		Graded		0.0	4.25	4.375	<b>4.5</b>	4.625	4.75	4.875
2601.0	SLEEVE LENGTH - Short Sleeve - CB neck to hem edge	QC	Graded		0.0	22.0	22.5	<b>23.0</b>	23.625	24.25	24.875
2722.0	SLEEVE WIDTH - circumference - 1 inch down from armhole seam	QC	Graded		0.0	20.5	21.25	<b>22.0</b>	23.0	24.0	25.0
3100.0	SLEEVE OPENING - short sleeve - circumference	QC	Graded		0.0	16.5	17.25	<b>18.0</b>	18.75	19.5	20.25
3450.0	NECK CIRCUMFERENCE - at seam	QC	Graded		0.0	19.0	20.0	<b>21.0</b>	22.0	23.0	24.0
3591.0	CENTER FRONT PLACKET WIDTH		Graded		0.0	1.25	1.25	<b>1.25</b>	1.25	1.25	1.25
3600.0	COLLAR LENGTH - at top	QC	Graded		0.0	19.5	20.5	<b>21.5</b>	22.5	23.5	24.5
3650.0	COLLAR HEIGHT - at CB	QC	Graded		0.0	1.875	1.875	<b>1.875</b>	1.875	1.875	1.875
3653.0	COLLAR STAND HEIGHT - at CB		Graded		0.0	1.25	1.25	<b>1.25</b>	1.25	1.25	1.25

### Measurements

Line Slot: Slack Tide Solid Camp Shirt  
 Merchandise Division: Sportswear  
 Designer: karie.carter  
 Fit Engineer: alicehan

Merchandise Collection: PFG  
 Developer: alicehan

State: Production  
 Product Class: Woven Tops S/S  
 LO Developer: nguyen.dung

Season: F25  
 Sourcing Manager: melissa.gallagher



Design: S5MS157705	Sample LO:	Production LO: India	
Style: FJ7042	Material Style: 1577054	Style Description: Slack Tide™ Camp Shirt	Pattern: M15S1024
		Base Size: 2XT	Size Scale: LT - 5XT
		Fit: Regular	SMU Type: N/A

Sort Order	Use	Type	Placemen t	(+/-)	LT	XLT	<b>2XT</b>	3XT	4XT	5XT
3680.0	COLLAR POINT LENGTH		Graded	0.0	2.5	2.5	<b>2.5</b>	2.5	2.5	2.5
6401.0	POCKET WIDTH		Varies By Style	0.125	5.0	5.0	<b>5.0</b>	5.25	5.25	5.5
6402.0	POCKET HEIGHT		Varies By Style	0.125	5.25	5.25	<b>5.25</b>	5.5	5.5	5.75
6950.0	SIDE SEAM VENT LENGTH		Varies By Style	0.125	2.0	2.0	<b>2.0</b>	2.0	2.0	2.0
930.0	Drawcord-Cording-Laces 1		Compon ent	0.0	1.5	1.5	<b>1.5</b>	1.5	1.5	1.5

This is confidential and proprietary information of Columbia Sportswear Company. You agree that you will not disclose this information to any third party or use it for any purpose other than on behalf of Columbia. You have no right to use Columbia's name or any of its trademarks, trade names, copyrights, patents, designs or other intellectual property except as set forth in writing by Columbia.

### Thumbnail

Line Slot: Slack Tide Solid Camp Shirt

Merchandise Division: Sportswear

Designer: karie.carter

Fit Engineer: alicehan

Merchandise Collection: PFG

Developer: alicehan

State: Production

Product Class: Woven Tops S/S

LO Developer: nguyen.dung

Season: F25

Sourcing Manager: melissa.gallagher

Design: S5MS157705

Style Material Style

FJ7042 1577054

Sample LO:

Style Description

Slack Tide™  
Camp Shirt

Pattern

M15S1024

Production LO: India

Base Size

2XT

Size Scale

LT - 5XT

Fit

Regular

SMU Type

N/A



This is confidential and proprietary information of Columbia Sportswear Company. You agree that you will not disclose this information to any third party or use it for any purpose other than on behalf of Columbia. You have no right to use Columbia's name or any of its trademarks, trade names, copyrights, patents, designs or other intellectual property except as set forth in writing by Columbia.

## Technical

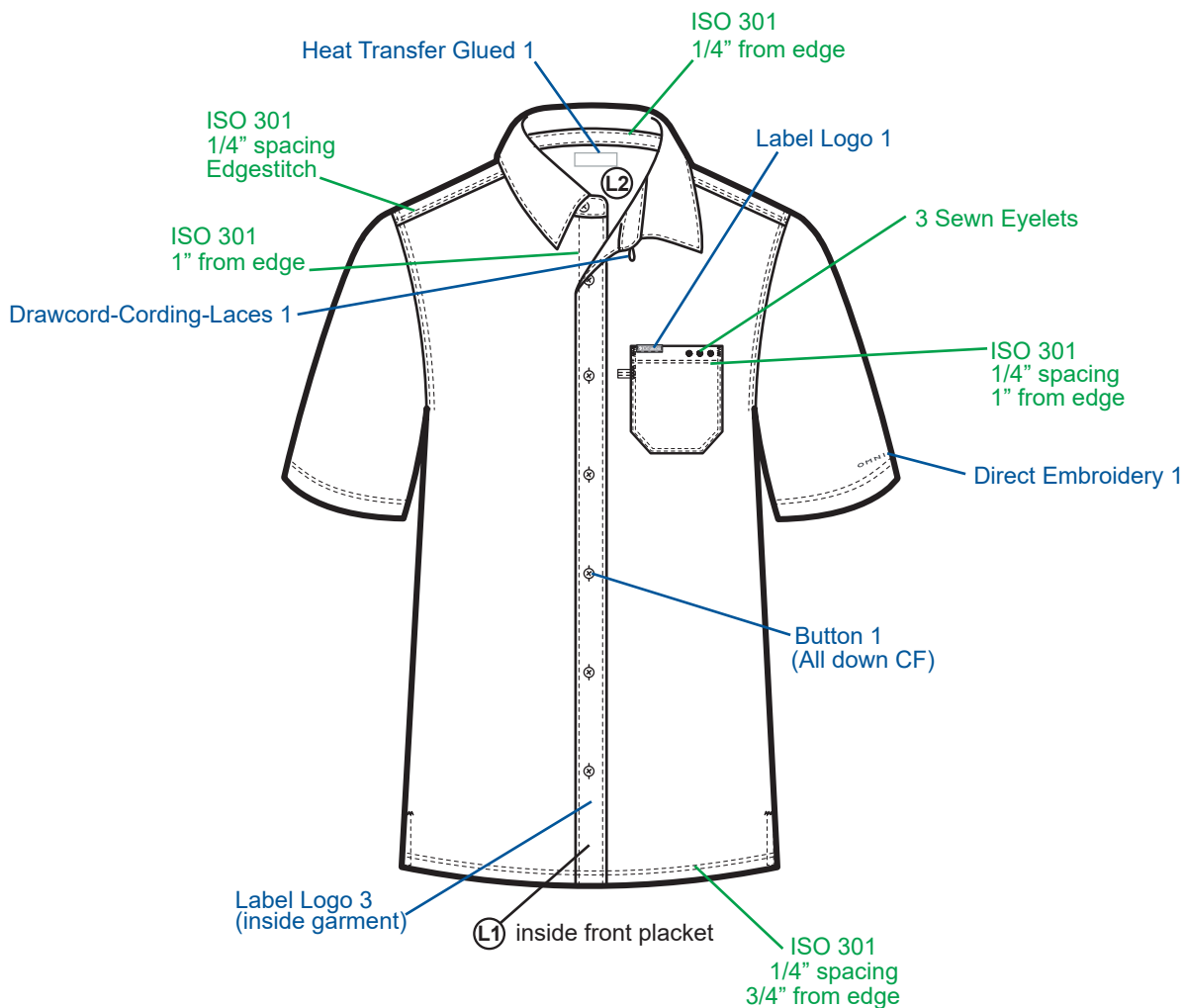
Line Slot: Slack Tide Solid Camp Shirt		State: Production		Season: F25			
Merchandise Division: Sportswear	Merchandise Collection: PFG	Product Class: Woven Tops S/S					
Designer: karie.carter	Developer: alicehan	LO Developer: nguyen.dung	Sourcing Manager: melissa.gallagher				
Fit Engineer: alicehan							
Design: S5MS157705	Sample LO:	Production LO:	India				
Style FJ7042	Material Style 1577054	Style Description Slack Tide™ Camp Shirt	Pattern M15S1024	Base Size 2XT	Size Scale LT - 5XT	Fit Regular	SMU Type N/A



**Last Updated:** 08.23.2022 CD

All Topstitching is ISO 301 Edgestitch unless otherwise noted  
Use X stitch on all Buttons

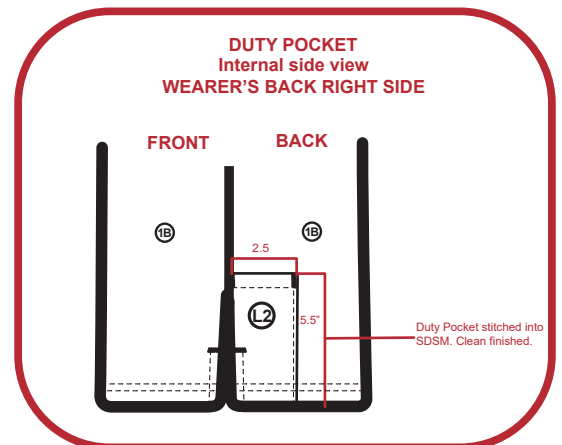
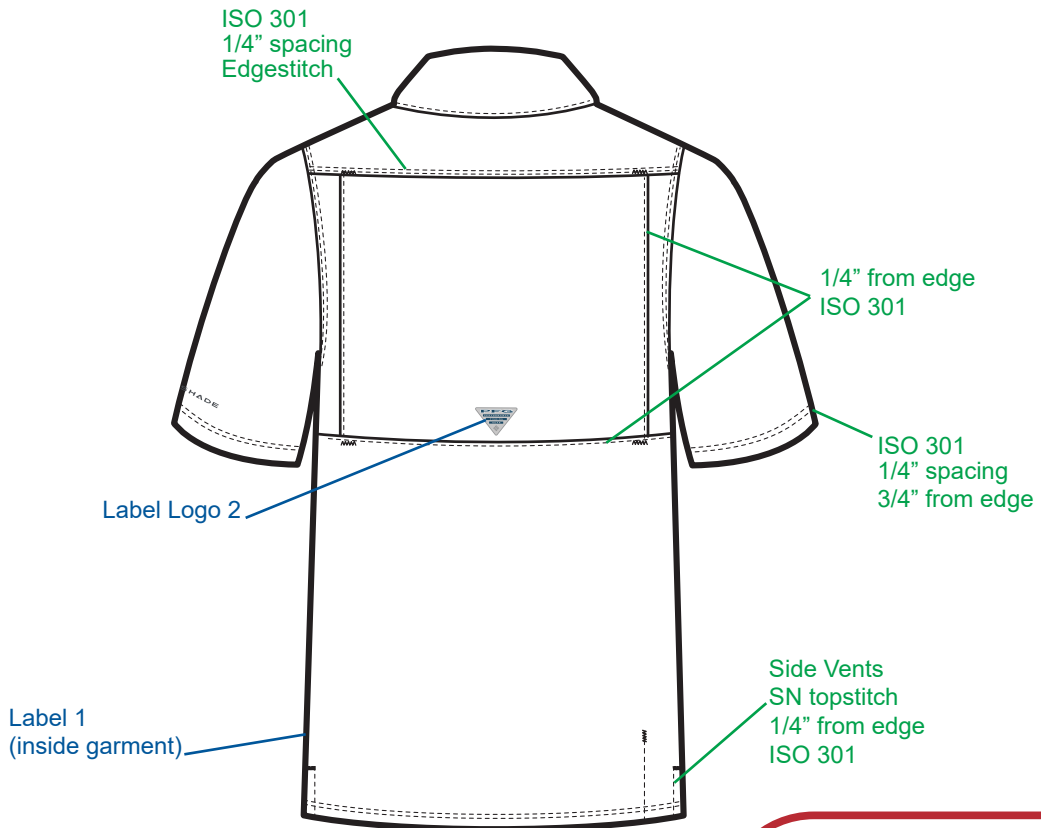
**\*\*All Shell ① Unless Indicated**



## Technical

Line Slot: Slack Tide Solid Camp Shirt      State: Production      Season: F25  
 Merchandise Division: Sportswear      Merchandise Collection: PFG      Product Class: Woven Tops S/S  
 Designer: karie.carter      Developer: alicehan      LO Developer: nguyen.dung      Sourcing Manager: melissa.gallagher  
 Fit Engineer: alicehan

Design:	S5MS157705	Sample LO:	Production LO:	India			
Style	Material Style	Style Description	Pattern	Base Size	Size Scale	Fit	SMU Type
FJ7042	1577054	Slack Tide™ Camp Shirt	M15S1024	2XT	LT - 5XT	Regular	N/A



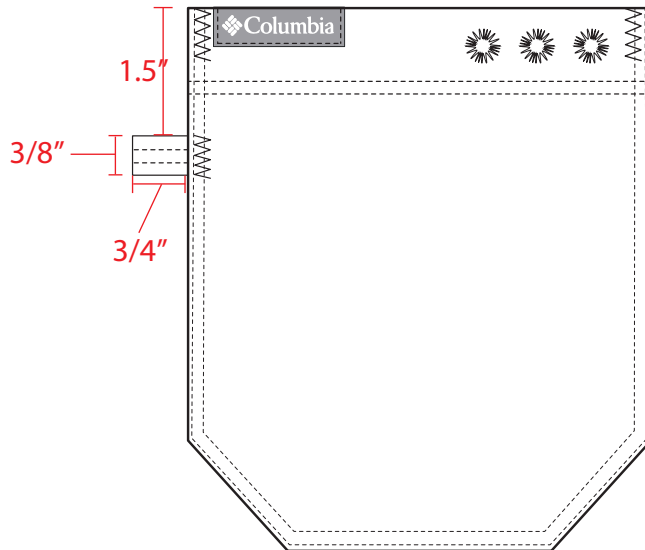
## Technical

Line Slot: Slack Tide Solid Camp Shirt      State: Production      Season: F25  
 Merchandise Division: Sportswear      Merchandise Collection: PFG      Product Class: Woven Tops S/S  
 Designer: karie.carter      Developer: alicehan      LO Developer: nguyen.dung      Sourcing Manager: melissa.gallagher  
 Fit Engineer: alicehan

Design:	S5MS157705	Sample LO:	Production LO:	India			
Style	Material Style	Style Description	Pattern	Base Size	Size Scale	Fit	SMU Type
FJ7042	1577054	Slack Tide™ Camp Shirt	M15S1024	2XT	LT - 5XT	Regular	N/A



**Last Updated:** 03.12.18 AW



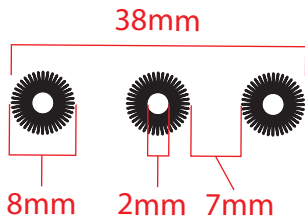
## Technical

Line Slot: Slack Tide Solid Camp Shirt      State: Production      Season: F25  
 Merchandise Division: Sportswear      Merchandise Collection: PFG      Product Class: Woven Tops S/S  
 Designer: karie.carter      Developer: alicehan      LO Developer: nguyen.dung      Sourcing Manager: melissa.gallagher  
 Fit Engineer: alicehan

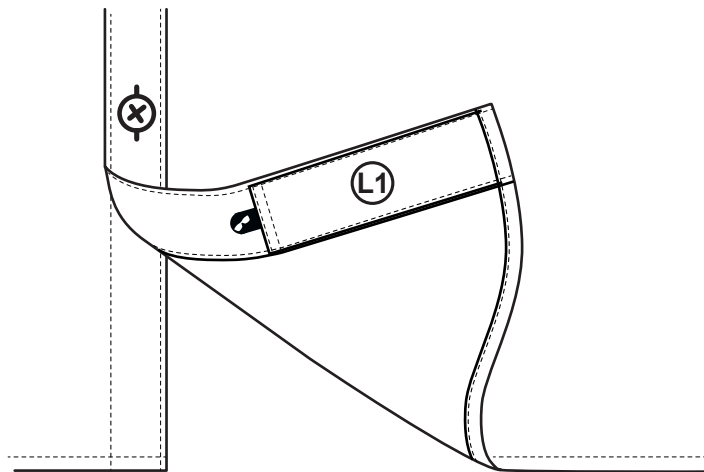
Design:	S5MS157705	Sample LO:	Production LO:	India			
Style	Material Style	Style Description	Pattern	Base Size	Size Scale	Fit	SMU Type
FJ7042	1577054	Slack Tide™ Camp Shirt	M15S1024	2XT	LT - 5XT	Regular	N/A



### 3 EYELETS CONSTRUCTION



### SUNGLASS CLEANER PATCH CONSTRUCTION



This is confidential and proprietary information of Columbia Sportswear Company. You agree that you will not disclose this information to any third party or use it for any purpose other than on behalf of Columbia. You have no right to use Columbia's name or any of its trademarks, trade names, copyrights, patents, designs or other intellectual property except as set forth in writing by Columbia.

## CSC SAM

Line Slot: Slack Tide Solid Camp Shirt      State: Production      Season: F25  
 Merchandise Division: Sportswear      Merchandise Collection: PFG      Product Class: Woven Tops S/S  
 Designer: karie.carter      Developer: alicehan      LO Developer: nguyen.dung      Sourcing Manager: melissa.gallagher  
 Fit Engineer: alicehan



Design: S5MS157705      Sample LO:      Production LO: India  
 Style: FJ7042      Material Style: 1577054      Style Description: Slack Tide™ Camp Shirt      Pattern: M15S1024      Base Size: 2XT      Size Scale: LT - 5XT      Fit: Regular      SMU Type: N/A

Woven Tops-CM Estimation Template - for S15																		
<b>Style No.:</b>	S5MS157705		← ↓ Input Style No.															
<b>Gender:</b>	Men		↓ Select Feature required for the style															
<b>SAM:</b>	30.52	<input checked="" type="checkbox"/>	← ↓ Check the box once all features all selected															
Back to Guidance	<table border="1" style="width: 100%; border-collapse: collapse;"> <thead> <tr style="background-color: #4F81BD; color: white;"> <th>Costing Advice</th> <th>Location</th> <th>Volume</th> <th>Factory Code</th> <th>Cost(CM)</th> <th>Cost(CMP)</th> </tr> </thead> <tbody> <tr> <td style="font-size: x-small;">Select Location &amp; volume</td> <td style="text-align: center;">Vietnam</td> <td style="text-align: center;">5K -20K</td> <td style="text-align: center;">HNG</td> <td style="text-align: right;">\$ 2.027</td> <td style="text-align: right;">\$ 2.394</td> </tr> </tbody> </table>						Costing Advice	Location	Volume	Factory Code	Cost(CM)	Cost(CMP)	Select Location & volume	Vietnam	5K -20K	HNG	\$ 2.027	\$ 2.394
Costing Advice	Location	Volume	Factory Code	Cost(CM)	Cost(CMP)													
Select Location & volume	Vietnam	5K -20K	HNG	\$ 2.027	\$ 2.394													

Parts	Part Description	Feature	SAM
Collar & Band	Normal Point Collar	Single Needle Topstitch Collar	3.950
	Button Down Collar	Select	*
	Collar Flap	Select	*
	Bartacks	Select	*
			3.950

Parts	Part Description	Feature	SAM
Front	Placket	Self Fold Pieced Front Placket w/fusible interlining(75cm)	2.868
	Cut Line	Single Horizontal Cut Line per front w/ SN Topstitch (25cm)	1.037
	Fishing Rod Holder	Select	*
	Buttons & Buttonholes	6 Buttons and Buttonholes w/ 1 Spare Button	1.186
	Decorative Stitch	Select	*
	Labels	Fix Logo Label on Front Placket	0.402
			5.492

Parts	Part Description	Feature	SAM
Pocket	Single Patch Pocket	Pointed Edge Patch Pocket w/ Self Fold Pkt Hem, 3 Grommets	1.592
	Double Patch Pocket	Select	*
	Stripe Matching	Select	*
	Patch -on -Patch Pkt	Select	*
	Insert Pocket	Select	*
	Bartacks	2 Bartacks	0.353
	Pocket Closure	Select	*
	Labels	Insert Logo Label	0.214
Decorative Stitch	Select	*	
			2.159

Parts	Part Description	Feature	SAM
Pocket Flap	Flap Shape	Select	*



### CSC SAM

Line Slot: Slack Tide Solid Camp Shirt      State: Production      Season: F25  
 Merchandise Division: Sportswear      Merchandise Collection: PFG      Product Class: Woven Tops S/S  
 Designer: karie.carter      Developer: alicehan      LO Developer: nguyen.dung      Sourcing Manager: melissa.gallagher  
 Fit Engineer: alicehan



Design: S5MS157705      Sample LO:      Production LO: India

Style	Material Style	Style Description	Pattern	Base Size	Size Scale	Fit	SMU Type
FJ7042	1577054	Slack Tide™ Camp Shirt	M15S1024	2XT	LT - 5XT	Regular	N/A

Flap Shape -2	Select	▼	🔒	*
Buttonhole /Velcro	Select	▼	🔒	*
Bartacks	Select	▼	🔒	*
Art work	Select	▼	🔒	*
Setting Flap	Select	▼	🔒	*
<b>0.000</b>				

Parts	Part Description	Feature		SAM
Back	Back- Pleats	Select	▼	🔒 *
	Back -Yoke Join	Select	▼	🔒 *
	Cut line	Select	▼	🔒 *
	Back Venting	Back Top Venting construction w/ Fixed stitch on Back Top	▼	🔒 4.216
	Labels	Set One Heat Transfer label	▼	🔒 0.432
	Decorative Stitch	Select	▼	🔒 *
	Bartacks	3 Bartacks	▼	🔒 0.424
<b>5.072</b>				

Parts	Part Description	Feature		SAM
Sleeve	Sleeve Placket	Select	▼	🔒 *
	Buttons &Buttonholes	Select	▼	🔒 *
	Cut Line	Select	▼	🔒 *
	Roll Tabs	Select	▼	🔒 *
	Labels	Select	▼	🔒 *
	Bartacks	Select	▼	🔒 *
	<b>0.000</b>			

Parts	Part Description	Feature		SAM
Lining	Cut Line	Select	▼	🔒 *
	Sleeve Lining	Select	▼	🔒 *
	Quilting	Select	▼	🔒 *
<b>0.000</b>				

Parts	Part Description	Feature		SAM
Cuff	Cuff Shape	Select	▼	🔒 *
	Button & Buttonhole	Select	▼	🔒 *
	Bartacks	Select	▼	🔒 *
<b>0.000</b>				

### CSC SAM

Line Slot: Slack Tide Solid Camp Shirt      State: Production      Season: F25  
 Merchandise Division: Sportswear      Merchandise Collection: PFG      Product Class: Woven Tops S/S  
 Designer: karie.carter      Developer: alicehan      LO Developer: nguyen.dung      Sourcing Manager: melissa.gallagher  
 Fit Engineer: alicehan



Design: S5MS157705      Sample LO:      Production LO: India

Style	Material Style	Style Description	Pattern	Base Size	Size Scale	Fit	SMU Type
FJ7042	1577054	Slack Tide™ Camp Shirt	M15S1024	2XT	LT - 5XT	Regular	N/A

			0.000

Parts	Part Description	Feature	SAM
Body Block	Shoulder Joining	Shoulder Joining(17cm)w/ DN Topstitch	0.796
	Sleeve Setting	Sleeve Setting w/ DN Topstitch Armhole(64cm)	1.738
	Sideseam	Feed stitch Sideseam w/ Short Sleeve	0.941
	Collar Setting	Normal Neck line Collar Setting(48cm)	1.054
	Cuff Setting	No Cuff Setting w/ Short Sleeve Double Needle Hem(40cm)	0.869
	Bottom	Single Stitch Forked Bottom w/ side vent	0.962
	Side Vent	Bottom Sidevents-Single Needle	2.140
	Care Label fixed	2 Labels	0.492
	Bartacks	Select	*
	Cut & Finishing SAM's	Woven Top S/S (no stripe Matching)	4.850
			13.842

This is confidential and proprietary information of Columbia Sportswear Company. You agree that you will not disclose this information to any third party or use it for any purpose other than on behalf of Columbia. You have no right to use Columbia's name or any of its trademarks, trade names, copyrights, patents, designs or other intellectual property except as set forth in writing by Columbia.

# Hangtag Package Report

Apparel Style: FJ7042

Season: F25

Brand: Columbia

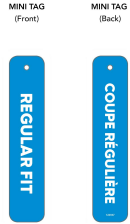
Merchandise Category: Sportswear

Merchandiser: fboulot

Line Slot: Slack Tide Solid Camp Shirt

Sort Order: 0.5 Part: 126967 - Regular Fit Swing Tag  
 Instruction: Swing tag to be placed on top of cover tag on same plastic stringer.

SKU	DATE	NAME	EXPIRES DATE
OP1490984	126967	OP1490984_126967_MT_Regular Fit	10-18-23



SKU	DATE	NAME	EXPIRES DATE
Process Bar / Pieces Blue	126967	126967	
25" x 13" / 1050mm x 533mm		ApexCoat Coating Str Cut, Iron punch	



Sort Order: 1.0 Part: 111006 - PFG Omni-Shade UPF 50, Omni-Wick Hangtag  
 Instruction: (FOR TOPS W/CF BUTTONS) HANG TAG TO BE PLACED ON 5" CIRCULAR SWIFT TACK AT 2ND BUTTON HOLE FROM TOP

SKU	DATE	NAME	EXPIRES DATE
OP712223	111006	OP712223_111006_CT_PFG_OmniShadeUPF50_OmniWick	09-26-22



SKU	DATE	NAME	EXPIRES DATE
Process Bar / Pieces Blue	111006	111006	
2.5" x 4.25" / 63.5mm x 108.3mm		ApexCoat Coating Str Cut, Iron, Iron punch	



Sort Order: 9.0 Part: 121612 - MSRP/UPC with RFID Specs for MSRP.  
 Please refer to VAS specs for any exceptions. MSRP required on all product shipping to the US.  
 Instruction: