

Related Styles

Line Slot: Kruser Ridge III Softshell Jacket

State: Production

Season: F25

Merchandise Division: Outerwear

Merchandise Collection: Trail

Product Class: Soft Shell Tops

Designer: nzan

Developer: jenchen

LO Developer: mbal

Sourcing Manager: melissa.gallagher

Fit Engineer: jenchen



Design: F4WO208502

Sample LO:

Production LO: India

Style Material Style

Style Description Pattern

Base Size Size Scale

Fit SMU Type

WL1684

2085021

Kruser Ridge™ III
Softshell Jacket L18L8001

M

XS - XXL

Regular

N/A

Style	Material Style	Style Description	Design	Pattern	Base Size	Size Scale	Sample LO	Production LO
WR1684	2085023	Kruser Ridge™ III Softshell Jacket	F4WO208502	L20Z7335	M	XS - XXL		India
WW1684	2085022	Kruser Ridge™ III Softshell Jacket	F4WO208502	L18W8001	1X	1X - 3X		India

This is confidential and proprietary information of Columbia Sportswear Company. You agree that you will not disclose this information to any third party or use it for any purpose other than on behalf of Columbia. You have no right to use Columbia's name or any of its trademarks, trade names, copyrights, patents, designs or other intellectual property except as set forth in writing by Columbia.

Part Specifications with Approved Suppliers

Line Slot: Kruser Ridge III Softshell Jacket State: Production Season: F25
 Merchandise Division: Outerwear Merchandise Collection: Trail Product Class: Soft Shell Tops
 Designer: nzan Developer: jenchen LO Developer: mbal Sourcing Manager: melissa.gallagher
 Fit Engineer: jenchen

Design: F4WO208502 Sample LO: Production LO: India Vendor Master INDIA Vendor Master INDIA
 Production LO: Sourcing LO:
 Style Material Style Style Pattern Base Size Size Scale Fit SMU Type
 Description
 Description
 WL1684 2085021 Kruser Ridge™ III Softshell Jacket L18L8001 M XS - XXL Regular N/A



Number	Description	UM	Fiber Content	Fiber Content Back	Material Coating	Material Finish (Face)	Material Laminate	Trim Specific	Supplier Art No	Country of Origin	Standard Cost (FOB)	Purchase Cost (CIF)	Product on Lead Time with Greige	Product on Lead Time without Greige
Fabric														
121277	PFC FREE Version of 032888 - Nexgen Contour Softshell	yd	100% Polyester	100% Polyester	MaterialCoatingNone	Durable Water Repellent (80/10HL) C0 PFOA/PFOS Free	Adhesive - Dot Matrix							
Jiaxing Deyong Textiles Co Ltd (JDT)			Fabric Width: 55.0 in Width Type: unassigned Primary Weight: 310.0 g/m2						TBD	China	4.37	0.0	48	70
119358	PFC Free Version of 064235 Nexgen Precision and Contour Softshell Face Only	yd	100% Polyester	unassigned	MaterialCoatingNone	MaterialFinishNone, Durable Water Repellent (80/10HL) C0 PFOA/PFOS Free	MaterialLaminateNone							
Apex Textile Co. Ltd.			Fabric Width: 58.0 in Width Type: cuttable Primary Weight: 119.0 g/m2						FA1107DE	China	1.94	0.0	30	40
074040	Improved Tricot Fleece - CJV	yd	100% Polyester	unassigned	MaterialCoatingNone	Brushed (Tech Face)	MaterialLaminateNone							
HTT Insprite (Xiamen) Imp & Exp Co. Ltd.			Fabric Width: 60.0 in Width Type: cuttable Primary Weight: 145.0 g/m2						TBA	China	0.9	0.0	35	45
004476	FOR POCKETING AND YOUTH STYLES ONLY Chamois Touch Tricot	yd	100% Polyester	unassigned	unassigned	Anti-pill (face), Brushed (Tech Face)	unassigned							
Huge-Bamboo Enterprise Co., Ltd.			Fabric Width: 60.0 in Width Type: cuttable Primary Weight: 75.0 g/m2						RA145069-7C-5910225A	Vietnam	0.65	0.0	35	50
Haren Textiles Pvt. Ltd.			Fabric Width: 60.0 in Width Type: cuttable Primary Weight: 80.0 g/m2						90363	India	0.68	0.0	30	45
YOUNGONE CORPORATION--Fabric division			Fabric Width: 60.0 in Width Type: cuttable Primary Weight: 77.0 g/m2						PDM004476	Bangladesh	0.94	0.0	40	70
Huge Rock Textile Co., Ltd.			Fabric Width: 60.0 in Width Type: cuttable Primary Weight: 75.0 g/m2						004476	Taiwan	0.95	0.0	60	75
HTT Insprite (Xiamen) Imp & Exp Co. Ltd.			Fabric Width: 60.0 in Width Type: cuttable Primary Weight: 75.0 g/m2						004476	China	0.67	0.0	35	60
110671	Recycled Interlining Sew-In Non-Woven Lightweight Soft SAME AS VIRGIN VERSION 011958	yd	80% Recycled Polyester, 20% Viscose	unassigned	unassigned	unassigned	unassigned							
Freudenberg-Hong Kong			Fabric Width: 39.0 in Width Type: cuttable Primary Weight: 30.0 g/m2						AO 201	Taiwan	0.27	0.0	14	30

Part Specifications with Approved Suppliers

Line Slot: Kruser Ridge III Softshell Jacket				State: Production				Season: F25			
Merchandise Division: Outerwear		Merchandise Collection: Trail		Product Class: Soft Shell Tops							
Designer: nzan		Developer: jenchen		LO Developer: mbal				Sourcing Manager: melissa.gallagher			
Fit Engineer: jenchen											
Design: F4WO208502		Sample LO:		Production LO: India		Vendor Master INDIA		Vendor Master INDIA			
						Production LO:		Sourcing LO:			
Style	Material Style	Style Description	Pattern	Base Size	Size Scale	Fit	SMU Type				
WL1684	2085021	Kruser Ridge™ III Softshell Jacket	L18L8001	M	XS - XXL	Regular	N/A				



Number	Description	UM	Fiber Content	Fiber Content Back	Material Coating	Material Finish (Face)	Material Laminate	Trim Specific	Supplier Art No	Country of Origin	Standard Cost (FOB)	Purchase Cost (CIF)	Product on Lead Time with Greige	Product on Lead Time without Greige
MaxBond			Fabric Width: 48.0 in Width Type: cuttable Primary Weight: 30.0 g/m2						Recycled 011958	Vietnam	0.29	0.0	15	30
Trim														
003374	64mm (B) Bug Columbia Logo Embroidery 1 clr Est st ct 1570.	ea	unassigned	unassigned	unassigned	unassigned	unassigned	Size UM: mm Width: 64.0 Height: 11.6						
Contractor									unassigned	unassigned	0.0	0.0	0	0
FGV - Kenpark Bangladesh Apparel									003374	unassigned	0.0	0.0	0	0
FGV - HKD GLOBAL LTD (HKD)									003374	unassigned	0.0	0.0	0	0
FGV - Confecciones del Valle SA de CV									003374	unassigned	0.0	0.0	0	0
FGV - DADA(DHAKA) LTD. (DDL)									TBD	unassigned	0.0	0.0	7	15
380083	2.5mm OD Stretch Drawcord Polyester/ 1 color	yd	55% Latex, 45% Polyester	unassigned	unassigned	unassigned	unassigned	Size UM: mm Outside Diameter: 2.5						
Gong Myung Korea									380083	South Korea	0.058	0.0	30	30
Elasticos Universales (Eltitex)									R-16/3	Guatemala	0.15	0.0	0	30
Naturub Group of Companies									BBA-011577	Bangladesh	0.0538	0.0	30	30
Paiho Global									TRU0001	Taiwan	0.058	0.0	30	60
008166	1.5mm non stretch drawcord w/ticks 2 clr (ECO version use 082935)	yd	100% Polyester	unassigned	unassigned	unassigned	unassigned	Size UM: yd						
Chun Wo Ho Co. Ltd									320704	China	0.07	0.0	30	35
Gong Myung Korea									GM-8166	South Korea	0.0483	0.0	30	30
Paiho Global									008166	Taiwan	0.049	0.0	30	60
Naturub Group of Companies									BBA011534 (Multicolor) / BBA-011773 (Solid color)	Bangladesh	0.0442	0.0	30	30
FGV Sourced									008166	unassigned	0.0609	0.0	15	0
FGV - Shahi Exports Pvt. (SEP) Ltd.									008166	India	0.045	0.0	15	25
420001	5 mm ID Metal Eyelet.. 1 clr finish. Use 059589 for enamel DTM color.	set	100% Copper	unassigned	unassigned	unassigned	unassigned	Size UM: mm Outside Diameter: 10.0 Inside Diameter: 5.0						
Sungbo									420001	South Korea	0.0088	0.0	30	30
Unitex International Button Accessories Ltd									420001	China	0.0096	0.0	28	40
Button International Company									1001	Taiwan	0.0067	0.0093	30	40

Part Specifications with Approved Suppliers

Line Slot: Kruser Ridge III Softshell Jacket State: Production Season: F25
 Merchandise Division: Outerwear Merchandise Collection: Trail Product Class: Soft Shell Tops
 Designer: nzan Developer: jenchen LO Developer: mbal Sourcing Manager: melissa.gallagher
 Fit Engineer: jenchen

Design: F4WO208502 Sample LO: Production LO: India Vendor Master INDIA Vendor Master INDIA
 Production LO: Production LO: Sourcing LO: Sourcing LO:
 Style Material Style Style Pattern Base Size Size Scale Fit SMU Type
 Description
 WL1684 2085021 Kruser Ridge™ III Softshell Jacket L18L8001 M XS - XXL Regular N/A



Number	Description	UM	Fiber Content	Fiber Content Back	Material Coating	Material Finish (Face)	Material Laminate	Trim Specific	Supplier Art No	Country of Origin	Standard Cost (FOB)	Purchase Cost (CIF)	Product on Lead Time with Greige	Product on Lead Time without Greige
Vietnam Trien Trieu (VTT)									420001	Vietnam	0.025	0.0	0	15
ZHEJIANG WEIXING IMP AND EXP COMPANY LTD(SAB Zippers)									SABETCLB08	Bangladesh	0.0089	0.0	20	20
059197	USE ONLY FOR ALL ADULTSIZES AND YOUTH S-XL 42mm x 8mm Lightweight Stripe woven ECO Hanger Loop DOWN 2 clr other colors w Director approval only	ea	100% Recycled Polyester	unassigned	unassigned	unassigned	unassigned	Size UM: mm						
Dong Young									DY-59197	South Korea	0.024	0.0	25	25
Avery Dennison Global									059197	China	0.024	0.0	30	30
110529	Coats Astra EV spun Polyester Tex 30	meter	100% Recycled Polyester	unassigned	unassigned	unassigned	unassigned	Size UM: tex						
Coats Global Thread									EV65090	unassigned	0.00048	0.0	0	0
008214	Coats ASTRA Spun Polyester Tex 27 40/2	meter	100% Polyester	unassigned	unassigned	unassigned	unassigned	Size UM: tex						
Coats Global Thread									EV65120	unassigned	0.0003	0.0	0	0
500058	3.5mm ID Round Barrel Two Hole Toggle Nylon 1clr metal content	ea	80% POM, 20% Brass	unassigned	unassigned	unassigned	unassigned	Size UM: mm Width: 8.0 Length: 18.0 Inside Diameter: 3.5						
Unitex International Button Accessories Ltd									500058	Vietnam	0.0351	0.0	35	40
POONG HAN PLASTIC (BD) LIMITED									PH-COL003	Bangladesh	0.031	0.0	30	30
002614	Plastic Washer (Polyurethane) (use on all Snap Stud and Post or Eyelets if needed) Clear CAN BE USED FOR YOUTH	ea	100% Polyurethane	unassigned	unassigned	unassigned	unassigned	Size UM: mm						
Unitex International Button Accessories Ltd									002614	China	0.00559	0.0	28	40
FGV Sourced									002614	unassigned	0.0	0.0	0	0
Button International Company									002614	Taiwan	0.0013	0.0	35	40
Sungbo									002614	unassigned	0.0	0.0	0	0

Part Specifications with Approved Suppliers

Line Slot: Kruser Ridge III Softshell Jacket State: Production Season: F25
 Merchandise Division: Outerwear Merchandise Collection: Trail Product Class: Soft Shell Tops
 Designer: nzan Developer: jenchon LO Developer: mbal Sourcing Manager: melissa.gallagher
 Fit Engineer: jenchon

Design: F4WO208502 Sample LO: Production LO: India Vendor Master INDIA Vendor Master INDIA
 Production LO: Sourcing LO:
 Style Material Style Style Pattern Base Size Size Scale Fit SMU Type
 Description
 WL1684 2085021 Kruser L18L8001 M XS - XXL Regular N/A
 Ridge™ III
 Softshell
 Jacket



Number	Description	UM	Fiber Content	Fiber Content Back	Material Coating	Material Finish (Face)	Material Laminate	Trim Specific	Supplier Art No	Country of Origin	Standard Cost (FOB)	Purchase Cost (CIF)	Product on Lead Time with Greige	Product on Lead Time without Greige
Ideal Fastener Global									CFC--36 DALH H3 T-B-0	unassigned	0.0733	0.0	21	28
059200	40mm CSC International Size Extended Woven ECO Loop Label for use with Hanger Loop	ea	100% Recycled Polyester	unassigned	unassigned	unassigned	unassigned	Size UM: mm						
Avery Dennison Global									059200	China	0.05714	0.0	30	30
Dong Young									DY-59200	South Korea	0.06	0.0	25	25
Manohar Filaments									23/11813/2	India	0.0461	0.0	30	30
006564	33mm Care Content ECO Booklet Fold label with fully translated country of origin WHT/BLK for most, BLK/WHT for Titanium only. GRY/BLK is for Garment DYE ONLY-waiting on updated artwork	ea	100% Recycled Polyester	unassigned	unassigned	unassigned	unassigned	Size UM: mm						
Dong Young									DY-006564	South Korea	0.04	0.0	15	15
Finotex El Salvador									006564	El Salvador	0.0	0.0	10	0
Avery Dennison Global									S2088861-8	China	0.016	0.0	30	30
Bao Shen (Apparel)									YL15110003 0 PS7530A5	unassigned	0.016	0.0	7	21
Nexgen Packaging Global									006564	unassigned	0.0221	0.0	21	28
097038	Columbia Omni-Shield Hangtag	ea	unassigned	unassigned	unassigned	unassigned	unassigned	Size UM: cm						
Hang Sang Press Co. Ltd									n/a	unassigned	0.0273	0.0	0	0
126967	Regular Fit Swing Tag	ea	unassigned	unassigned	unassigned	unassigned	unassigned	Size UM: in						
Hang Sang Press Co. Ltd									n/a	unassigned	0.023	0.0	0	0
Finotex El Salvador									n/a	unassigned	0.016	0.0	21	28
121612	MSRP/UPC with RFID Specs for MSRP. Please refer to VAS specs for any exceptions. MSRP required on all product shipping to the US.	ea	unassigned	unassigned	unassigned	unassigned	unassigned	Size UM: mm						
Bao Shen (Apparel)									n/a	unassigned	0.049	0.0	7	0
Avery Dennison Global									n/a	unassigned	0.04875	0.0	14	0

Color BOM

Line Slot: Kruser Ridge III Softshell Jacket

State: Production

Season: F25

Merchandise Division: Outerwear

Merchandise Collection: Trail

Product Class: Soft Shell Tops

Designer: nzan

Developer: jenchen

LO Developer: mbal

Sourcing Manager: melissa.gallagher

Fit Engineer: jenchen



Design: F4WO208502

Sample LO:

Production LO: India

Style Material Style

Style Description Pattern

Base Size

Size Scale

Fit

SMU Type

WL1684

2085021

Kruser Ridge™ III
Softshell Jacket

L18L8001

M

XS - XXL

Regular

N/A

Component	Details	Placement	Usage	Width	Marker Width	010-Black	031-Cirrus Grey	607-Moonvista
SAP Material Code						2085021010 2085022010 2085023010	2085021031 2085022031 2085023031	2085022607 2085023607 2085021607
SMU Accounts						N/A	N/A	N/A
Shell 1	121277 PFC FREE Version of 032888 - Nexgen Contour Softshell Composite 100% Polyester 100% Polyester 156X132 75 X75 Durable Water Repellent (80/10HL) C0 PFOA/PFOS Free MaterialCoatingNone Adhesive - Dot Matrix 310.0 g/m2 Piece Dye/Jet and Jig NA		1.26 yd	55.0	55	Black, Black	Cirrus Grey, Cirrus Grey	Moonvista, Moonvista
Lining 1	119358 PFC Free Version of 064235 Nexgen Precision and Contour Softshell Face Only Twill 100% Polyester 160 X 136 75D/72F X 75D/72F MaterialFinishNone, Durable Water Repellent (80/10HL) C0 PFOA/PFOS Free MaterialCoatingNone MaterialLaminateNone 119.0 g/m2 Piece Dye/Jet NA		0.09 yd	58.0	58	Black	Cirrus Grey	Moonvista
Lining 2	074040 Improved Tricot Fleece - CJV Tricot 100% Polyester 28 Brushed (Tech Face) MaterialCoatingNone MaterialLaminateNone 145.0 g/m2 Piece Dye/Jet NA		0.033 yd	60.0	60	Black	Cirrus Grey	Moonvista

Color BOM

Line Slot: Kruser Ridge III Softshell Jacket

State: Production

Season: F25

Merchandise Division: Outerwear

Merchandise Collection: Trail

Product Class: Soft Shell Tops

Designer: nzan

Developer: jenchen

LO Developer: mbal

Sourcing Manager: melissa.gallagher

Fit Engineer: jenchen



Design: F4WO208502

Sample LO:

Production LO: India

Style Material Style

Style Description Pattern

Base Size Size Scale

Fit SMU Type

WL1684

2085021

Kruser Ridge™ III
Softshell Jacket

M

XS - XXL

Regular

N/A

Component	Details	Placement	Usage	Width	Marker Width	010-Black	031-Cirrus Grey	607-Moonvista
SAP Material Code						2085021010 2085022010 2085023010	2085021031 2085022031 2085023031	2085022607 2085023607 2085021607
Lining 3	004476 FOR POCKETING AND YOUTH STYLES ONLY Chamois Touch Tricot Tricot 100% Polyester 28 Anti-pill (face), Brushed (Tech Face) 80.0 g/m2 Piece Dye/Jet NA		0.095 yd	60.0	60	Black	Cirrus Grey	Moonvista
Interfacing 1	110671 Recycled Interlining Sew-In Non-Woven Lightweight Soft SAME AS VIRGIN VERSION 011958 Interlining 80% Recycled Polyester, 20% Viscose 30.0 g/m2		0.067 yd	39.0	39	White	White	White
Direct Embroidery 1	003374 64mm (B) Bug Columbia Logo Embroidery 1 clr Est st ct 1570. Width: 64.0 Height: 11.6		1 ea	0.0	0	Columbia Grey	White	Columbia Grey
Drawcord-Cording-Laces 1	380083 2.5mm OD Stretch Drawcord Polyester/ 1 color Outside Diameter: 2.5		1.52 yd	0.0	0	Black	Cirrus Grey	Moonvista
Drawcord-Cording-Laces 2	008166 1.5mm non stretch drawcord w/ticks 2 clr (ECO version use 082935)		0.612 yd	0.0	0	Black, Grill	Columbia Grey, Grill	Moonvista, Fig
Eyelets-Grommets 1	420001 5 mm ID Metal Eyelet.. 1 clr finish. Use 059589 for enamel DTM color. Inside Diameter: 5.0 Outside Diameter: 10.0		2 set	0.0	0	Matte Black Copper Finish	Antique Silver Finish	Black Nickel Finish
Label Logo 1	059197 USE ONLY FOR ALL ADULTSIZES AND YOUTH S-XL 42mm x 8mm Lightweight Stripe woven ECO Hanger Loop DOWN 2 clr other colors w Director approval only		1 ea	0.0	0	Columbia Grey, Grill	Columbia Grey, Grill	Columbia Grey, Grill
Thread 1	110529 Coats Astra EV spun Polyester Tex 30		30 meter	0.0	0	DTM	DTM	DTM
Thread 2	008214 Coats ASTRA Spun Polyester Tex 27 40/2		441 meter	0.0	0	DTM	DTM	DTM

Color BOM

Line Slot: Kruser Ridge III Softshell Jacket		State: Production		Season: F25			
Merchandise Division: Outerwear	Merchandise Collection: Trail	Product Class: Soft Shell Tops					
Designer: nzan	Developer: jenchen	LO Developer: mbal		Sourcing Manager: melissa.gallagher			
Fit Engineer: jenchen							
Design: F4WO208502	Sample LO:	Production LO: India					
Style WL1684	Material Style 2085021	Style Description Kruser Ridge™ III Softshell Jacket	Pattern L18L8001	Base Size M	Size Scale XS - XXL	Fit Regular	SMU Type N/A



Component	Details	Placement	Usage	Width	Marker Width	010-Black	031-Cirrus Grey	607-Moonvista
SAP Material Code						2085021010 2085022010 2085023010	2085021031 2085022031 2085023031	2085022607 2085023607 2085021607
Toggle 1	500058 3.5mm ID Round Barrel Two Hole Toggle Nylon 1clr metal content Length: 18.0 Width: 8.0 Inside Diameter: 3.5		2 ea	0.0	0	Black	White	Moonvista
Washer 1	002614 Plastic Washer (Polyurethane) (use on all Snap Stud and Post or Eyelets if needed) Clear CAN BE USED FOR YOUTH		2 ea	0.0	0	Clear	Clear	Clear
Webbing and Tape 1	360183 3/4 in W Foldover (3/8 to show) Woven Stretch Binding 1 clr FOR CAN STYLES PRODUCED IN VN use 110808 Width: 0.75		0.539 yd	0.0	0	Black	Cirrus Grey	Moonvista
Webbing and Tape 2	013891 1/4 inch Grosgrain Tape 1 clr (ECO version is 083473)		0.131 yd	0.0	0	Black	White	Moonvista
Zipper 1	002673 CNFOL-56 DA8BLH H3 P-TOP REVERSE OpenEnd Left-in AutoLk LargeHole AntSilver Sldr/PI PlasticTopStop RevCoil CAN BE USED FOR CHILDREN Metal content Length: 8.0		1 ea	0.0	0	Black	Cirrus Grey	Moonvista
Zipper 2	080717 CFC-36 DALH H3 T-B-0 Clsd AutoLk Lg Hole PI AntSilver Sldr/PI No Stps Metal content YKK PRICE POINT ONLY Length: 4.0		2 ea	0.0	0	Black	Cirrus Grey	Moonvista
Label 1	059200 40mm CSC International Size Extended Woven ECO Loop Label for use with Hanger Loop		1 ea	0.0	0	White, Columbia Grey, Compass Blue	White, Columbia Grey, Compass Blue	White, Columbia Grey, Compass Blue
Label 2	006564 33mm Care Content ECO Booklet Fold label with fully translated country of origin WHT/BLK for most, BLK/WHT for Titanium only, GRY/BLK is for Garment DYE ONLY- waiting on updated artwork		1 ea	0.0	0	White, Black	White, Black	White, Black
Hangtag Package Part	097038 Columbia Omni-Shield Hangtag		1 ea	0.0	0	Artwork	Artwork	Artwork

Color BOM

Line Slot: Kruser Ridge III Softshell Jacket		State: Production		Season: F25			
Merchandise Division: Outerwear	Merchandise Collection: Trail	Product Class: Soft Shell Tops					
Designer: nzan	Developer: jenchen	LO Developer: mbal		Sourcing Manager: melissa.gallagher			
Fit Engineer: jenchen							
Design:	F4WO208502	Sample LO:	Production LO: India				
Style	Material Style	Style Description	Pattern	Base Size	Size Scale	Fit	SMU Type
WL1684	2085021	Kruser Ridge™ III Softshell Jacket	L18L8001	M	XS - XXL	Regular	N/A



Component	Details	Placement	Usage	Width	Marker Width	010-Black	031-Cirrus Grey	607-Moonvista
SAP Material Code						2085021010	2085021031	2085022607
						2085022010	2085022031	2085023607
						2085023010	2085023031	2085021607
Hangtag Package Part	126967 Regular Fit Swing Tag		1 ea	0.0	0	Artwork	Artwork	Artwork
Hangtag Package Part	121612 MSRP/UPC with RFID Specs for MSRP. Please refer to VAS specs for any exceptions. MSRP required on all product shipping to the US.		1 ea	0.0	0	Artwork	Artwork	Artwork
Packaging 1	980001 Polybag See Standard CCS 4200 for specifications		1 ea	0.0	0	Stock	Stock	Stock
Packaging 2	980010 UPC Bag Sticker Generic (MHW/Columbia) See CCS4400/ 4401 and MHW4402 for Mt Hardware for instructions		1 ea	0.0	0	Artwork	Artwork	Artwork
Packaging 3	064194 Outer Carton for costing purpose only		1 ea	0.0	0	Stock	Stock	Stock

This is confidential and proprietary information of Columbia Sportswear Company. You agree that you will not disclose this information to any third party or use it for any purpose other than on behalf of Columbia. You have no right to use Columbia's name or any of its trademarks, trade names, copyrights, patents, designs or other intellectual property except as set forth in writing by Columbia.

Colorless BOM

Line Slot: Kruser Ridge III Softshell Jacket State: Production Season: F25

Merchandise Division: Outerwear Merchandise Collection: Trail Product Class: Soft Shell Tops

Designer: nzan Developer: jenchen LO Developer: mbal Sourcing Manager: melissa.gallagher

Fit Engineer: jenchen

Design: F4WO20850 Sample LO: 2 Production LO: India

Style	Material Style	Style Description	Pattern	Base Size	Size Scale	Fit	SMU Type
WL1684	2085021	Kruser Ridge™ III Softshell Jacket	L18L8001	M	XS - XXL	Regular	N/A



Component	Details	Placement	Usage	Width	Marker Width
SAP Material Code					
Shell 1	121277 PFC FREE Version of 032888 - Nexgen Contour Softshell Composite 100% Polyester 100% Polyester 156X132 75 X75 Durable Water Repellent (80/10HL) C0 PFOA/PFOS Free MaterialCoatingNone Adhesive - Dot Matrix 310.0 g/m2 Piece Dye/Jet and Jig NA		1.26 yd	55.0	55
Lining 1	119358 PFC Free Version of 064235 Nexgen Precision and Contour Softshell Face Only Twill 100% Polyester 160 X 136 75D/72F X 75D/72F MaterialFinishNone, Durable Water Repellent (80/10HL) C0 PFOA/PFOS Free MaterialCoatingNone MaterialLaminateNone 119.0 g/m2 Piece Dye/Jet NA		0.09 yd	58.0	58
Lining 2	074040 Improved Tricot Fleece - CJV Tricot 100% Polyester 28 Brushed (Tech Face) MaterialCoatingNone MaterialLaminateNone 145.0 g/m2 Piece Dye/Jet NA		0.033 yd	60.0	60
Lining 3	004476 FOR POCKETING AND YOUTH STYLES ONLY Chamois Touch Tricot Tricot 100% Polyester 28 Anti-pill (face), Brushed (Tech Face) 80.0 g/m2 Piece Dye/Jet NA		0.095 yd	60.0	60
Interfacing 1	110671 Recycled Interlining Sew-In Non-Woven Lightweight Soft SAME AS VIRGIN VERSION 011958 Interlining 80% Recycled Polyester, 20% Viscose 30.0 g/m2		0.067 yd	39.0	39
Direct Embroidery 1	003374 64mm (B) Bug Columbia Logo Embroidery 1 clr Est st ct 1570. Width: 64.0 Height: 11.6		1 ea	0.0	0

Colorless BOM

Line Slot: Kruser Ridge III Softshell Jacket State: Production Season: F25
 Merchandise Division: Outerwear Merchandise Collection: Trail Product Class: Soft Shell Tops
 Designer: nzan Developer: jenchen LO Developer: mbal Sourcing Manager: melissa.gallagher
 Fit Engineer: jenchen



Design: F4WO20850 Sample LO: 2 Production LO: India
 Style: WL1684 Material Style: 2085021 Style Description: Kruser Ridge™ III Softshell Jacket Pattern: L18L8001 Base Size: M Size Scale: XS - XXL Fit: Regular SMU Type: N/A

Component	Details	Placement	Usage	Width	Marker Width
SAP Material Code					
Drawcord-Cording-Laces 1	380083 2.5mm OD Stretch Drawcord Polyester/ 1 color Outside Diameter: 2.5		1.52 yd	0.0	0
Drawcord-Cording-Laces 2	008166 1.5mm non stretch drawcord w/ticks 2 clr (ECO version use 082935)		0.612 yd	0.0	0
Eyelets-Grommets 1	420001 5 mm ID Metal Eyelet.. 1 clr finish. Use 059589 for enamel DTM color. Inside Diameter: 5.0 Outside Diameter: 10.0		2 set	0.0	0
Label Logo 1	059197 USE ONLY FOR ALL ADULT sizes AND YOUTH S-XL 42mm x 8mm Lightweight Stripe woven ECO Hanger Loop DOWN 2 clr other colors w Director approval only		1 ea	0.0	0
Thread 1	110529 Coats Astra EV spun Polyester Tex 30		30 meter	0.0	0
Thread 2	008214 Coats ASTRA Spun Polyester Tex 27 40/2		441 meter	0.0	0
Toggle 1	500058 3.5mm ID Round Barrel Two Hole Toggle Nylon 1clr metal content Length: 18.0 Width: 8.0 Inside Diameter: 3.5		2 ea	0.0	0
Washer 1	002614 Plastic Washer (Polyurethane) (use on all Snap Stud and Post or Eyelets if needed) Clear CAN BE USED FOR YOUTH		2 ea	0.0	0
Webbing and Tape 1	360183 3/4 in W Foldover (3/8 to show) Woven Stretch Binding 1 clr FOR CAN STYLES PRODUCED IN VN use 110808 Width: 0.75		0.539 yd	0.0	0
Webbing and Tape 2	013891 1/4 inch Grosgrain Tape 1 clr (ECO version is 083473)		0.131 yd	0.0	0
Zipper 1	002673 CNFOL-56 DA8BLH H3 P-TOP REVERSE OpenEnd Left-in AutoLk LargeHole AntSilver Sldr/PI PlasticTopStop RevCoil CAN BE USED FOR CHILDREN Metal content Length: 8.0		1 ea	0.0	0
Zipper 2	080717 CFC-36 DALH H3 T-B-0 Clsd AutoLk Lg Hole PI AntSilver Sldr/PI No Stps Metal content YKK PRICE POINT ONLY Length: 4.0		2 ea	0.0	0
Label 1	059200 40mm CSC International Size Extended Woven ECO Loop Label for use with Hanger Loop		1 ea	0.0	0
Label 2	006564 33mm Care Content ECO Booklet Fold label with fully translated country of origin WHT/BLK for most, BLK/WHT for Titanium only, GRY/BLK is for Garment DYE ONLY- waiting on updated artwork		1 ea	0.0	0
Hangtag Package Part	097038 Columbia Omni-Shield Hangtag		1 ea	0.0	0

Colorless BOM

Line Slot: Kruser Ridge III Softshell Jacket State: Production Season: F25
 Merchandise Division: Outerwear Merchandise Collection: Trail Product Class: Soft Shell Tops
 Designer: nzan Developer: jenchen LO Developer: mbal Sourcing Manager: melissa.gallagher
 Fit Engineer: jenchen
 Design: F4WO20850 Sample LO: 2 Production LO: India
 Style Material Style Style Description Pattern Base Size Size Scale Fit SMU Type
 WL1684 2085021 Kruser Ridge™ III Softshell Jacket L18L8001 M XS - XXL Regular N/A



Component	Details	Placement	Usage	Width	Marker Width
SAP Material Code					
Hangtag Package Part	126967 Regular Fit Swing Tag		1 ea	0.0	0
Hangtag Package Part	121612 MSRP/UPC with RFID Specs for MSRP. Please refer to VAS specs for any exceptions. MSRP required on all product shipping to the US.		1 ea	0.0	0
Packaging 1	980001 Polybag See Standard CCS 4200 for specifications		1 ea	0.0	0
Packaging 2	980010 UPC Bag Sticker Generic (MHW/Columbia) See CCS4400/ 4401 and MHW4402 for Mt Hardwear for instructions		1 ea	0.0	0
Packaging 3	064194 Outer Carton for costing purpose only		1 ea	0.0	0

This is confidential and proprietary information of Columbia Sportswear Company. You agree that you will not disclose this information to any third party or use it for any purpose other than on behalf of Columbia. You have no right to use Columbia's name or any of its trademarks, trade names, copyrights, patents, designs or other intellectual property except as set forth in writing by Columbia.

Color Specification

Line Slot: Kruser Ridge III Softshell Jacket

State: Production

Season: F25

Merchandise Division: Outerwear

Merchandise Collection: Trail

Product Class: Soft Shell Tops

Designer: nzan

Developer: jenchen

LO Developer: mbal

Sourcing Manager: melissa.gallagher

Fit Engineer: jenchen



Design: F4WO208502

Sample LO:

Production LO: India

Style Material Style

Style Description Pattern

Base Size Size Scale

Fit

SMU Type

WL1684

2085021

Kruser Ridge™ III
Softshell Jacket L18L8001

M

XS - XXL

Regular

N/A

Component - Material	010-Black	031-Cirrus Grey	607-Moonvista
Shell 1 - 121277	Black, Black	Cirrus Grey, Cirrus Grey	Moonvista, Moonvista
Lining 1 - 119358	Black	Cirrus Grey	Moonvista
Lining 2 - 074040			
Lining 3 - 004476			
Drawcord-Cording-Laces 1 - 380083			
Webbing and Tape 1 - 360183			
Zipper 1 - 002673			
Zipper 2 - 080717			
Interfacing 1 - 110671	White	White	White
Direct Embroidery 1 - 003374	Columbia Grey	White	Columbia Grey
Drawcord-Cording-Laces 2 - 008166	Black, Grill	Columbia Grey, Grill	Moonvista, Fig
Eyelets-Grommets 1 - 420001	Matte Black Copper Finish	Antique Silver Finish	Black Nickel Finish
Label Logo 1 - 059197	Columbia Grey, Grill	Columbia Grey, Grill	Columbia Grey, Grill
Thread 1 - 110529	DTM	DTM	DTM
Thread 2 - 008214			
Toggle 1 - 500058	Black	White	Moonvista
Webbing and Tape 2 - 013891			
Washer 1 - 002614	Clear	Clear	Clear
Label 1 - 059200	White, Columbia Grey, Compass Blue	White, Columbia Grey, Compass Blue	White, Columbia Grey, Compass Blue
Label 2 - 006564	White, Black	White, Black	White, Black
Hangtag Package Part - 097038	Artwork	Artwork	Artwork
Hangtag Package Part - 126967			
Hangtag Package Part - 121612			
Packaging 2 - 980010			
Packaging 1 - 980001	Stock	Stock	Stock
Packaging 3 - 064194			

This is confidential and proprietary information of Columbia Sportswear Company. You agree that you will not disclose this information to any third party or use it for any purpose other than on behalf of Columbia. You have no right to use Columbia's name or any of its trademarks, trade names, copyrights, patents, designs or other intellectual property except as set forth in writing by Columbia.

Costing BOM

Line Slot: Kruser Ridge III Softshell Jacket

State: Production

Season: F25

Merchandise Division: Outerwear

Merchandise Collection: Trail

Product Class: Soft Shell Tops

Designer: nzan

Developer: jenchen

LO Developer: mbal

Sourcing Manager: melissa.gallagher

Fit Engineer: jenchen



Design: F4WO208502

Sample LO:

Production LO: India

Style Material Style

Style Description Pattern

Base Size Size Scale

Fit SMU Type

WL1684

2085021

Kruser Ridge™ III
Softshell Jacket

L18L8001

M

XS - XXL

Regular

N/A

Colorway Number	Color Way	FOB Material	CIF Material	FOB Trim	CIF Trim	Allowance %	Total FOB	Total CIF
010	Black	5.974	0.000	1.208	0.000	0.0	7.182	0.000
031	Cirrus Grey	5.974	0.000	1.208	0.000	0.0	7.182	0.000
607	Moonvista	5.974	0.000	1.208	0.000	0.0	7.182	0.000

Costing BOM

Line Slot: Kruser Ridge III Softshell Jacket

State: Production

Season: F25

Merchandise Division: Outerwear

Merchandise Collection: Trail

Product Class: Soft Shell Tops

Designer: nzan

Developer: jenchen

LO Developer: mbal

Sourcing Manager: melissa.gallagher

Fit Engineer: jenchen



Design: F4WO208502

Sample LO:

Production LO: India

Style Material Style

Style Description Pattern

Base Size Size Scale

Fit SMU Type

WL1684

2085021

Kruser Ridge™ III L18L8001
Softshell Jacket

M

XS - XXL

Regular

N/A

Component	Material	Description	Fabric Width	Supplier	Locked	Country of Origin	Managin g Liaison Office	UoM	Target Cost	FOB Unit Cost	CIF Unit Cost	Usage	Wastage %	Total FOB	Total CIF
Shell 1	121277	PFC FREE Version of 032888 - Nexgen Contour Softshell	55.0	Jiaxing Deyong Textiles Co Ltd (JDT)	N	China	Taiwan- Taipei	yd	4.5	4.37	0.0	1.260	3	5.671	0.000
Lining 1	119358	PFC Free Version of 064235 Nexgen Precision and Contour Softshell Face Only	58.0	Apex Textile Co. Ltd.	N	China	Taiwan- Taipei	yd	0.0	1.94	0.0	0.090	5	0.183	0.000
Lining 2	074040	Improved Tricot Fleece - CJV	60.0	HTT Insprite (Xiamen) Imp & Exp Co. Ltd.	N	China	Taiwan- Taipei	yd	0.0	0.9	0.0	0.033	7	0.032	0.000

Costing BOM

Line Slot: Kruser Ridge III Softshell Jacket

State: Production

Season: F25

Merchandise Division: Outerwear

Merchandise Collection: Trail

Product Class: Soft Shell Tops

Designer: nzan

Developer: jenchen

LO Developer: mbal

Sourcing Manager: melissa.gallagher

Fit Engineer: jenchen



Design: F4WO208502

Sample LO:

Production LO: India

Style Material Style

Style Description Pattern

Base Size

Size Scale

Fit

SMU Type

WL1684

2085021

Kruser Ridge™ III L18L8001 Softshell Jacket

M

XS - XXL

Regular

N/A

Component	Material	Description	Fabric Width	Supplier	Locked	Country of Origin	Managing Liaison Office	UoM	Target Cost	FOB Unit Cost	CIF Unit Cost	Usage	Wastage %	Total FOB	Total CIF
Lining 3	004476	FOR POCKETING AND YOUTH STYLES ONLY Chamois Touch Tricot	60.0	Haren Textiles Pvt. Ltd.	Y	India	India	yd	0.0	0.68	0.0	0.095	7	0.069	0.000
Interfacing 1	110671	Recycled Interlining Sew-In Non-Woven Lightweight Soft SAME AS VIRGIN VERSION 011958	39.0	Freudenberg-Hong Kong	N	Taiwan	Taiwan-Taipei	yd	0.0	0.27	0.0	0.067	3	0.019	0.000
Direct Embroidery 1	003374	64mm (B) Bug Columbia Logo Embroidery 1 clr Est st ct 1570.	0.0	Contractor	N	unassigned	Hong Kong	ea	0.0	0.0	0.0	1.000	2.0	0.000	0.000
Drawcord-Cording-Laces 1	380083	2.5mm OD Stretch Drawcord Polyester/ 1 color	0.0	Paiho Global	N	Taiwan	Taiwan-Taipei	yd	0.0	0.058	0.0	1.520	7.0	0.094	0.000

Costing BOM

Line Slot: Kruser Ridge III Softshell Jacket

State: Production

Season: F25

Merchandise Division: Outerwear

Merchandise Collection: Trail

Product Class: Soft Shell Tops

Designer: nzan

Developer: jenchen

LO Developer: mbal

Sourcing Manager: melissa.gallagher

Fit Engineer: jenchen



Design: F4WO208502

Sample LO:

Production LO: India

Style Material Style

Style Description Pattern

Base Size

Size Scale

Fit

SMU Type

WL1684

2085021

Kruser Ridge™ III
Softshell Jacket

M

XS - XXL

Regular

N/A

Component	Material	Description	Fabric Width	Supplier	Locked	Country of Origin	Managing Liaison Office	UoM	Target Cost	FOB Unit Cost	CIF Unit Cost	Usage	Wastage %	Total FOB	Total CIF
Drawcord-Cording-Laces 2	008166	1.5mm non stretch drawcord w/ticks 2 clr (ECO version use 082935)	0.0	FGV - Shahi Exports Pvt. (SEP) Ltd.	Y	India	India	yd	0.0	0.045	0.0	0.612	7.0	0.029	0.000
Eyelets-Grommets 1	420001	5 mm ID Metal Eyelet.. 1 clr finish. Use 059589 for enamel DTM color.	0.0	Unitex International Button Accessories Ltd	N	China	Portland	set	0.0	0.0096	0.0	2.000	3.0	0.020	0.000
Label Logo 1	059197	USE ONLY FOR ALL ADULTSIZES AND YOUTH S-XL 42mm x 8mm Lightweight Stripe woven ECO Hanger Loop DOWN 2 clr other colors w Director approval only	0.0	Avery Dennison Global	N	China	Portland	ea	0.0	0.024	0.0	1.000	5.0	0.025	0.000

Costing BOM

Line Slot: Kruser Ridge III Softshell Jacket

State: Production

Season: F25

Merchandise Division: Outerwear

Merchandise Collection: Trail

Product Class: Soft Shell Tops

Designer: nzan

Developer: jenchen

LO Developer: mbal

Sourcing Manager: melissa.gallagher

Fit Engineer: jenchen



Design: F4WO208502

Sample LO:

Production LO: India

Style Material Style

Style Description Pattern

Base Size Size Scale

Fit SMU Type

WL1684

2085021

Kruser Ridge™ III L18L8001
Softshell Jacket

M

XS - XXL

Regular

N/A

Component	Material	Description	Fabric Width	Supplier	Locked	Country of Origin	Managing Liaison Office	UoM	Target Cost	FOB Unit Cost	CIF Unit Cost	Usage	Wastage %	Total FOB	Total CIF
Thread 1	110529	Coats Astra EV spun Polyester Tex 30	0.0	Coats Global Thread	N	unassigned	Portland	meter	0.0	0.00048	0.0	30.000	5.0	0.015	0.000
Thread 2	008214	Coats ASTRA Spun Polyester Tex 27 40/2	0.0	Coats Global Thread	N	unassigned	Portland	meter	0.0	0.0003	0.0	441.000	5.0	0.139	0.000
Toggle 1	500058	3.5mm ID Round Barrel Two Hole Toggle Nylon 1clr metal content	0.0	Unitex International Button Accessories Ltd	N	Vietnam	Portland	ea	0.0	0.0351	0.0	2.000	2.0	0.000	0.000
Washer 1	002614	Plastic Washer (Polyurethane) (use on all Snap Stud and Post or Eyelets if needed) Clear CAN BE USED FOR YOUTH	0.0	Unitex International Button Accessories Ltd	N	China	Portland	ea	0.0	0.00559	0.0	2.000	3.0	0.012	0.000

Costing BOM

Line Slot: Kruser Ridge III Softshell Jacket

State: Production

Season: F25

Merchandise Division: Outerwear

Merchandise Collection: Trail

Product Class: Soft Shell Tops

Designer: nzan

Developer: jenchen

LO Developer: mbal

Sourcing Manager: melissa.gallagher

Fit Engineer: jenchen



Design: F4WO208502

Sample LO:

Production LO: India

Style Material Style

Style Description Pattern

Base Size Size Scale

Fit SMU Type

WL1684

2085021

Kruser Ridge™ III L18L8001
Softshell Jacket

M

XS - XXL

Regular

N/A

Component	Material	Description	Fabric Width	Supplier	Locked	Country of Origin	Managing Liaison Office	UoM	Target Cost	FOB Unit Cost	CIF Unit Cost	Usage	Wastage %	Total FOB	Total CIF
Webbing and Tape 1	360183	3/4 in W Foldover (3/8 to show) Woven Stretch Binding 1 clr FOR CAN STYLES PRODUCED IN VN use 110808	0.0	Paiho Global	N	Taiwan	Taiwan-Taipei	yd	0.0	0.16	0.0	0.539	7.0	0.092	0.000
Webbing and Tape 2	013891	1/4 inch Grosgrain Tape 1 clr (ECO version is 083473)	0.0	Paiho Global	N	Taiwan	Taiwan-Taipei	yd	0.2	0.044	0.0	0.131	7.0	0.006	0.000

Costing BOM

Line Slot: Kruser Ridge III Softshell Jacket

State: Production

Season: F25

Merchandise Division: Outerwear

Merchandise Collection: Trail

Product Class: Soft Shell Tops

Designer: nzan

Developer: jenchen

LO Developer: mbal

Sourcing Manager: melissa.gallagher

Fit Engineer: jenchen



Design: F4WO208502

Sample LO:

Production LO: India

Style Material Style

Style Description Pattern

Base Size Size Scale

Fit SMU Type

WL1684

2085021

Kruser Ridge™ III L18L8001
Softshell Jacket

M

XS - XXL

Regular

N/A

Component	Material	Description	Fabric Width	Supplier	Locked	Country of Origin	Managing Liaison Office	UoM	Target Cost	FOB Unit Cost	CIF Unit Cost	Usage	Wastage %	Total FOB	Total CIF
Zipper 1	002673	CNFOL-56 DA8BLH H3 P- TOP REVERSE OpenEnd Left-in AutoLk LargeHole AntSilver Sldr/PI PlasticTopStop RevCoil CAN BE USED FOR CHILDREN Metal content	0.0	YKK Global	N	Taiwan	Portland	ea	0.0	0.2745	0.0	1.000	1.0	0.392	0.000
Zipper 2	080717	CFC-36 DALH H3 T-B-0 Clsd AutoLk Lg Hole PI AntSilver Sldr/PI No Stps Metal content YKK PRICE POINT ONLY	0.0	YKK Global	N	unassigned	Portland	ea	0.0	0.0889	0.0	2.000	1.0	0.207	0.000

Costing BOM

Line Slot: Kruser Ridge III Softshell Jacket

State: Production

Season: F25

Merchandise Division: Outerwear

Merchandise Collection: Trail

Product Class: Soft Shell Tops

Designer: nzan

Developer: jenchen

LO Developer: mbal

Sourcing Manager: melissa.gallagher

Fit Engineer: jenchen



Design: F4WO208502

Sample LO:

Production LO: India

Style Material Style

Style Description Pattern

Base Size Size Scale

Fit SMU Type

WL1684

2085021

Kruser Ridge™ III L18L8001
Softshell Jacket

M

XS - XXL

Regular

N/A

Component	Material	Description	Fabric Width	Supplier	Locked	Country of Origin	Managing Liaison Office	UoM	Target Cost	FOB Unit Cost	CIF Unit Cost	Usage	Wastage %	Total FOB	Total CIF
Label 1	059200	40mm CSC International Size Extended Woven ECO Loop Label for use with Hanger Loop	0.0	Manohar Filaments	Y	India	India	ea	0.0	0.0461	0.0	1.000	3.0	0.047	0.000
Label 2	006564	33mm Care Content ECO Booklet Fold label with fully translated country of origin WHT/BLK for most, BLK/WHT for Titanium only, GRY/BLK is for Garment DYE ONLY- waiting on updated artwork	0.0	Avery Dennison Global	N	China	Portland	ea	0.0	0.016	0.0	1.000	3.0	0.016	0.000

Costing BOM

Line Slot: Kruser Ridge III Softshell Jacket

State: Production

Season: F25

Merchandise Division: Outerwear

Merchandise Collection: Trail

Product Class: Soft Shell Tops

Designer: nzan

Developer: jenchen

LO Developer: mbal

Sourcing Manager: melissa.gallagher

Fit Engineer: jenchen



Design: F4WO208502

Sample LO:

Production LO: India

Style Material Style

Style Description Pattern

Base Size

Size Scale

Fit

SMU Type

WL1684

2085021

Kruser Ridge™ III L18L8001 Softshell Jacket

M

XS - XXL

Regular

N/A

Component	Material	Description	Fabric Width	Supplier	Locked	Country of Origin	Managing Liaison Office	UoM	Target Cost	FOB Unit Cost	CIF Unit Cost	Usage	Wastage %	Total FOB	Total CIF
Hangtag Package Part	097038	Columbia Omni-Shield Hangtag	0.0	Hang Sang Press Co. Ltd	N	unassigned	Portland	ea	0.0	0.0273	0.0	1.000	3.0	0.028	0.000
Hangtag Package Part	126967	Regular Fit Swing Tag	0.0	Hang Sang Press Co. Ltd	N	unassigned	Portland	ea	0.0	0.023	0.0	1.000	3.0	0.024	0.000
Hangtag Package Part	121612	MSRP/UPC with RFID Specs for MSRP. Please refer to VAS specs for any exceptions. MSRP required on all product shipping to the US.	0.0	Avery Dennison Global	N	unassigned	Portland	ea	0.0	0.04875	0.0	1.000	5.0	0.051	0.000

Costing BOM

Line Slot: Kruser Ridge III Softshell Jacket

State: Production

Season: F25

Merchandise Division: Outerwear

Merchandise Collection: Trail

Product Class: Soft Shell Tops

Designer: nzan

Developer: jenchen

LO Developer: mbal

Sourcing Manager: melissa.gallagher

Fit Engineer: jenchen



Design: F4WO208502

Sample LO:

Production LO: India

Style Material Style

Style Description Pattern

Base Size

Size Scale

Fit

SMU Type

WL1684

2085021

Kruser Ridge™ III L18L8001
Softshell Jacket

M

XS - XXL

Regular

N/A

Component	Material	Description	Fabric Width	Supplier	Locked	Country of Origin	Managing Liaison Office	UoM	Target Cost	FOB Unit Cost	CIF Unit Cost	Usage	Wastage %	Total FOB	Total CIF
Packaging 1	980001	Polybag See Standard CCS 4200 for specifications	0.0	Contractor	N	unassigned	Hong Kong	ea	0.0	0.0	0.0	1.000	3.0	0.000	0.000
Packaging 2	980010	UPC Bag Sticker Generic (MHW/Columbia) See CCS4400/4401 and MHW4402 for Mt Hardware for instructions	0.0	Avery Dennison Global	Y	China	Portland	ea	0.0	0.01089	0.0	1.000	5.0	0.011	0.000
Packaging 3	064194	Outer Carton for costing purpose only	0.0	Contractor	N	unassigned	Hong Kong	ea	0.0	0.0	0.0	1.000	3.0	0.000	0.000

Costing BOM

Line Slot: Kruser Ridge III Softshell Jacket

State: Production

Season: F25

Merchandise Division: Outerwear

Merchandise Collection: Trail

Product Class: Soft Shell Tops

Designer: nzan

Developer: jenchen

LO Developer: mbal

Sourcing Manager: melissa.gallagher

Fit Engineer: jenchen



Design: F4WO208502

Sample LO:

Production LO: India

Style Material Style

Style Description Pattern

Base Size Size Scale

Fit SMU Type

WL1684 2085021

Kruser Ridge™ III L18L8001
Softshell Jacket

M XS - XXL

Regular N/A

This is confidential and proprietary information of Columbia Sportswear Company. You agree that you will not disclose this information to any third party or use it for any purpose other than on behalf of Columbia. You have no right to use Columbia's name or any of its trademarks, trade names, copyrights, patents, designs or other intellectual property except as set forth in writing by Columbia.

Instructions

Line Slot: Kruser Ridge III Softshell Jacket State: Production Season: F25
 Merchandise Division: Outerwear Merchandise Collection: Trail Product Class: Soft Shell Tops
 Designer: nzan Developer: jenchen LO Developer: mbal Sourcing Manager: melissa.gallagher
 Fit Engineer: jenchen



Design: F4WO20850 Sample LO: 2 Production LO: India
 Style: WL1684 Material Style: 2085021 Style Description: Kruser Ridge™ III Softshell Jacket Pattern: L18L8001 Base Size: M Size Scale: XS - XXL Fit: Regular SMU Type: N/A

Category	Subcategory	Description	Comments
CONSTRUCTION	SAFETY STITCH	5-SPOOL, 3/8 IN SEAM ALLOWANCE (NO TRIM). 10/12 STITCHES PER INCH FOR OUTERWEAR, HUNTING AND FISHING. APPLY TO ALL SEAMS THAT MAY RAVEL.(ISO#516)	
MISCELLANEOUS	EMBROIDERY	USE LIGHT WEIGHT TEAR AWAY INTERFACING FOR EMBROIDERY BACKING – UP TO 2 LAYERS AS NEEDED FOR REINFORCEMENT PREFERRED VENDOR IS FREUDENBERG ITEM #AO151 BASIC TEAR AWAY BACKING 36g/m2 LIGHT 0.28/m @ 100cm WIDE	
BARTACKS	BARTACK FUNCTIONAL	LENGTH - SIZED TO FIT	(4) CF Zipper (4/2) Lower Front Pocket Zippers (4/2) Lower Front Pocket Opening (2/1) Hem Toggle Tethers (2/1) Join Cuff Binding

This is confidential and proprietary information of Columbia Sportswear Company. You agree that you will not disclose this information to any third party or use it for any purpose other than on behalf of Columbia. You have no right to use Columbia's name or any of its trademarks, trade names, copyrights, patents, designs or other intellectual property except as set forth in writing by Columbia.

Care Report

Line Slot: Kruser Ridge III Softshell Jacket		State: Production		Season: F25	
Merchandise Division: Outerwear		Merchandise Collection: Trail		Product Class: Soft Shell Tops	
Designer: nzan		Developer: jenchen		LO Developer: mbal	
Fit Engineer: jenchen				Sourcing Manager: melissa.gallagher	
Design:	F4WO208502	Sample LO:	Production LO:	India	
Style	Material Style	Style Description	Pattern	Base Size	Size Scale
WL1684	2085021	Kruser Ridge™ III Softshell Jacket	L18L8001	M	XS - XXL
				Fit	SMU Type
				Regular	N/A



Care Code: 2012		Color Way Number	Color Way Name
English	Machine Wash Cold, Wash Separately, Do Not Bleach, Tumble Dry Low, Do Not Iron, Do Not Use Fabric Softener, Do Not Dryclean		
French	Lavage machine à froid, Laver séparément, Ne pas utiliser d'eau de javel, Séchage machine, basse température, Ne pas repasser, Ne pas utiliser d'assouplissant, Nettoyage à sec interdit	010	Black
German	Maschinenwäsche kalt, Separat waschen, Keine Bleichmittel verwenden, Trocknen im Wäschetrockner bei niedriger Temperatur, Nicht bügeln, Keine Weichspüler verwenden, Nicht chemisch reinigen	031	Cirrus Grey
Portuguese	Lavar à maquina com água fria, Lavar separadamente, Não alvejar, Secar à máquina em temperatura baixa, Não passar a ferro, Não usar amaciante, Não utilizar limpeza a seco	607	Moonvista
Spanish	Lavar a máquina con agua fría, Lavar por separado, No usar lejía, Usar secadora a temperatura baja, No planchar, No usar suavizante de telas, No lavar en seco		
Italian	Lavare in lavatrice in acqua fredda, Lavare separatamente, Non candeggiare, Asciugare a tamburo a bassa temperatura, Non stirare, Non utilizzare ammorbidente, Non lavare a secco		
Russian	Машинная стирка в холодной воде, Стирать отдельно, Не отбеливать, Сушить при низкой температуре, Не гладить, Не использовать кондиционер для тканей, Химчистка запрещена		
Czech Republic	Praní v pračce při nízké teplotě, Prát samostatně, Nebělit, Sušení v sušičce, nízká teplota, Nežehlit, Nepoužívat aviváž, Nečistit chemicky		
Hebrew	כביסה במכונה במים קרים, לכבס בנפרד, לא להלבין, לייבש במייבש כביסה בחום נמוך, לא לגהץ, לא להשתמש במרכז כביסה, לא לנקות בניקוי יבש		
Hungarian	Géppel mossa, hideg vízzel, Különválasztva mossa, Ne használjon fehérítőt, Szárítógépben alacsony hőfokon szárítsa, Ne vasalja, Ne használjon öblítőszeret, Ne vegytisztítsa		
Polish	Prac w temperaturze nie przekraczającej 30°C, Prac oddzielnie, Nie chlorować, Można suszyć bębnowo, niska temperatura, Nie prasować, Nie używać zmiękczacza do tkanin, Nie czyścić chemicznie		
Portuguese Brazil	Lavar à maquina com água fria, Lavar separadamente, Não alvejar, Secar em tambor rotativo em temperatura baixa, Não passar a ferro, Não usar amaciante, Não utilizar limpeza a seco		
Slovakian	Perte v pračce v studenej vode, Perte oddelene, Neodfarbujte, Sušte v bubnovej sušičke pri nízkych otáčkach, Nežehlite, Nepoužívajte avivážne prípravky, Nečistite chemicky		
Slovenian	Mrzlo strojno pranje, Prati posebej, Ne belite, Nizko strojno sušenje, Ne likati, Ne uporabljati mehčalca, Ne suho čistiti		
Spanish Latin American	Lavar a máquina con agua fría, Lavar por separado, No usar blanqueador, Usar secadora a temperatura baja, No planchar, No usar suavizante de telas, No lavar en seco		
Turkish	Makinada Yıkandır, Soğuk, Ayrı Yıkayın, Ağartıcı Kullanmayın, Tambur Kurutma, Düşük, Ütülemeyin, Çamaşır Yumuşatıcısı Kullanmayın, Kuru Temizleme Yapmayın		
Chinese Simplified	冷水机洗, 分开洗涤, 请勿漂白, 低温滚筒烘干, 请勿熨烫, 请勿使用织物柔软剂, 请勿干洗		
Chinese Traditional	冷水機洗, 分開洗滌, 請勿漂白, 低溫滾筒烘乾, 請勿熨燙, 請勿使用織物柔軟劑, 請勿乾洗		
Japanese	洗濯機水洗い, 個別に洗濯してください, 漂白剤使用不可, 乾燥機使用可 (低温), アイロン使用不可, 柔軟剤の使用不可, ドライクリーニング不可		
Korean	가, 가, 가,		
Danish	Kold maskinvask, Vask separat, Må ikke afbleges, Tør i tørretumbler, lav, Brug ikke strygejern, Brug ikke skyllemiddel, Må ikke renses kemisk		
Norwegian	Maskinvask kald, Vaskes separat, Må ikke blekes, Tørketrommel, lav, Skal ikke strykes, Ikke bruk tøyrykner, Skal ikke renses		
Swedish	Maskintvättas kallt, Tvättas separat, Får inte blekas, Torktumlas på låg nivå, Får inte strykas, Sköljmedel får inte användas, Kemtvättas inte		
Dutch	Koud wassen in wasmachine, Apart wassen, Niet bleken, In droger op laag, Niet strijken, Geen wasverzachter gebruiken, Niet laten stomen		

Care Report

Line Slot: Kruser Ridge III Softshell Jacket

State: Production

Season: F25

Merchandise Division: Outerwear

Merchandise Collection: Trail

Product Class: Soft Shell Tops

Designer: nzan

Developer: jenchen

LO Developer: mbal

Sourcing Manager: melissa.gallagher

Fit Engineer: jenchen



Design: F4WO208502

Sample LO:

Production LO: India

Style Material Style

Style Description Pattern

Base Size Size Scale

Fit SMU Type

WL1684 2085021

Kruser Ridge™ III
Softshell Jacket L18L8001

M XS - XXL

Regular N/A

French Canadian

Laver à la machine à l'eau froide, Laver séparément, Ne pas utiliser d'agent de blanchiment, Séchage par culbutage à basse température, Ne pas repasser, Ne pas utiliser d'assouplisseur, Ne pas nettoyer à sec



Content Report

Line Slot: Kruser Ridge III Softshell Jacket		State: Production		Season: F25			
Merchandise Division: Outerwear	Merchandise Collection: Trail	Product Class: Soft Shell Tops					
Designer: nzan	Developer: jenchen	LO Developer: mbal		Sourcing Manager: melissa.gallagher			
Fit Engineer: jenchen							
Design:	F4WO208502	Sample LO:	Production LO:		India		
Style	Material Style	Style Description	Pattern	Base Size	Size Scale	Fit	SMU Type
WL1684	2085021	Kruser Ridge™ III Softshell Jacket	L18L8001	M	XS - XXL	Regular	N/A



CONTENT CODE: AMP		Color Way Number	Color Way Name
Shell Face: 100% Polyester		607	Moonvista
Shell Back: 100% Polyester		010	Black
Lining: 100% Polyester Exclusive of Trimming		031	Cirrus Grey
FRENCH	Tissu de la partie avant: 100% Polyester Tissu de la partie arrière: 100% Polyester Doublure: 100% Polyester Sauf les bordures		
GERMAN	Außenhülle Vorderteil: 100% Polyester Rückenteil Außenhülle Rückenteil: 100% Polyester Futter: 100% Polyester Ohne Besatz		
PORTUGUESE	Exterior anterior: 100% Poliéster Exterior posterior: 100% Poliéster Revestimento: 100% Poliéster Sem orlas		
SPANISH	Parte delantera de la cubierta: 100% Poliéster Parte posterior de la cubierta: 100% Poliéster Revestimiento: 100% Poliéster Exclusivo de los ribetes		
ITALIAN	Parte anteriore guscio: 100% Poliestere Parte posteriore guscio: 100% Poliestere Fodera: 100% Poliestere Ad eccezione dei bordini		
RUSSIAN	Оболочка, лицо: 100% Полиэфир Оболочка, изнанка: 100% Полиэфир Подклад: 100% Полиэфир Без дополнительных деталей		
CZECH REPUBLICAN	Přední dík skořepiny: 100% Polyester Zadní díl skořepiny: 100% Polyester Podšívka: 100% Polyester Bez nášivek		
HEBREW	חזית המעטפת: 100% פוליאסטר גב המעטפת: 100% פוליאסטר בטנה: 100% פוליאסטר ללא קישוט		
HUNGARIAN	Külső elől: 100% Poliészter Külső hátul: 100% Poliészter Bélés: 100% Poliészter Szegélydíszen kívül		
POLISH	Wierzch powłoki: 100% Poliester Spód powłoki: 100% Poliester Podszewka: 100% Poliester Wyłączając naszywki		

Content Report

Line Slot: Kruser Ridge III Softshell Jacket

State: Production

Season: F25

Merchandise Division: Outerwear

Merchandise Collection: Trail

Product Class: Soft Shell Tops

Designer: nzan

Developer: jenchen

LO Developer: mbal

Sourcing Manager: melissa.gallagher

Fit Engineer: jenchen



Design:	F4WO208502	Sample LO:	Production LO:	India			
Style	Material Style	Style Description	Pattern	Base Size	Size Scale	Fit	SMU Type
WL1684	2085021	Kruser Ridge™ III Softshell Jacket	L18L8001	M	XS - XXL	Regular	N/A

PORTUGUESE BRAZIL	Exterior anterior: Exterior posterior: Forro:	100% Poliéster 100% Poliéster 100% Poliéster Sem adornos
SLOVAKIAN	Plášť, predná časť: Plášť, zadná časť: Podšívka:	100% Polyester 100% Polyester 100% Polyester Okrem lemovania
SLOVENIAN	Lice lupine: Hrbet lupine: Podloga:	100% Poliester 100% Poliester 100% Poliester Brez obrezovanja
SPANISH LATIN AMERICAN	Parte delantera de la cubierta: Parte posterior de la cubierta: Revestimiento:	100% Poliéster 100% Poliéster 100% Poliéster Exclusivo de los ribetes
TURKISH	Kabuk Ön: Kabuk Arka: Astar:	100% Polyester 100% Polyester 100% Polyester Süsler Hariç
CHINESE SIMPLIFIED	外壳正面: 外壳背面: 衬里:	100% 聚酯 100% 聚酯 100% 聚酯 不包括装饰品
CHINESE TRADITIONAL	外殼正面: 外殼背面: 襯裡:	100% 聚酯 100% 聚酯 100% 聚酯 不包括裝飾品
JAPANESE	シェル表: シェル裏: 裏地:	100% ポリエステル 100% ポリエステル 100% ポリエステル 装飾品を除く
KOREAN	: : :	100% 100% 100%
DANISH	Forside af skal: Bagside af skal: Foring:	100% Polyester 100% Polyester 100% Polyester Inkluderer ikke kant

Content Report

Line Slot: Kruser Ridge III Softshell Jacket

State: Production

Season: F25

Merchandise Division: Outerwear

Merchandise Collection: Trail

Product Class: Soft Shell Tops

Designer: nzan

Developer: jenchen

LO Developer: mbal

Sourcing Manager: melissa.gallagher

Fit Engineer: jenchen



Design: F4WO208502

Sample LO:

Production LO: India

Style Material Style

Style Description Pattern

Base Size Size Scale

Fit SMU Type

WL1684

2085021

Kruser Ridge™ III L18L8001
Softshell Jacket

M

XS - XXL

Regular

N/A

NORWEGIAN	Skall forside:	100% Polyester
	Skall rygg:	100% Polyester
	Foring:	100% Polyester Eksklusiv trimming
SWEDISH	Ytterdel främre:	100% Polyester
	Ytterdel bakre:	100% Polyester
	Foder:	100% Polyester Utan trimming
DUTCH	Schelp-voorkant:	100% Polyester
	Schelp-achterkant:	100% Polyester
	Bekleding:	100% Polyester Exclusief trimmen
FRENCH CANADIAN	Tissu de la partie avant:	100% Polyester
	Tissu de la partie arrière:	100% Polyester
	Doublure:	100% Polyester Exclut les bordures

Pattern Piece Detail

Line Slot: Kruser Ridge III Softshell Jacket State: Production Season: F25
 Merchandise Division: Outerwear Merchandise Collection: Trail Product Class: Soft Shell Tops
 Designer: nzan Developer: jenchen LO Developer: mbal Sourcing Manager: melissa.gallagher
 Fit Engineer: jenchen

Design: F4WO20850 Sample LO: 2 Production LO: India
 Style: WL1684 Material Style: 2085021 Style Description: Kruser Ridge™ III Softshell Jacket Pattern: L18L8001 Base Size: M Size Scale: XS - XXL Fit: Regular SMU Type: N/A



L18L8001 -				
Component	Quantity	Long Description	Abbreviation	Code
Shell 1	1	BACK	BK	20001
Shell 1	2	FRONT YOKE	FTYK	10005
Shell 1	1	LEFT FRONT	LTFT	14001
Shell 1	1	RIGHT FRONT	RTFT	16001
Shell 1	2	SIDE BACK	SDBK	20002
Shell 1	2	SIDE FRONT	SDFT	10002
Shell 1	2	SLEEVE	SLV	30001
Shell 1	1	UNDER COLLAR	UNCLR	40003
Shell 1	1	UPPER BACK	UPBK	21001
Lining 1	1	BACK HEM FACING	BKHMFC	20008
Lining 1	2	FRONT HEM FACING	FTHMFC	10007
Lining 1	2	LOWER POCKET FACING	LWPKTFC	73003
Lining 1	2	POCKET STITCH	PKTSTCH	70031
Lining 2	1	TOP COLLAR	TPCLR	40002
Lining 3	2	LOWER POCKET	LWPKT	73001
Lining 3	4	ZIPPER END	ZIPEND	03038
Interfacing 1	2	POCKET STITCH	PKTSTCH	70031
Interfacing 1	1	TOP COLLAR	TPCLR	40002

This is confidential and proprietary information of Columbia Sportswear Company. You agree that you will not disclose this information to any third party or use it for any purpose other than on behalf of Columbia. You have no right to use Columbia's name or any of its trademarks, trade names, copyrights, patents, designs or other intellectual property except as set forth in writing by Columbia.

Measurements

Line Slot: Kruser Ridge III Softshell Jacket

State: Production

Season: F25

Merchandise Division: Outerwear

Merchandise Collection: Trail

Product Class: Soft Shell Tops

Designer: nzan

Developer: jenchen

LO Developer: mbal

Sourcing Manager: melissa.gallagher

Fit Engineer: jenchen



Design: F4WO208502

Sample LO:

Production LO: India

Style Material Style

Style Description Pattern

Base Size Size Scale

Fit

SMU Type

WL1684

2085021

Kruser Ridge™ III
Softshell Jacket

M

XS - XXL

Regular

N/A

Sort Order		Use	Type	Placemen t	(+/-)	XS	S	M	L	XL	XXL
Grade Rule: CSC Womens Outerwear Tops - XXS-XXL (M) - NT - Block: null											
1101.0	CHEST WIDTH - circumference - 1 inch down from armhole seam	QC	Graded		0.0	38.5	40.5	42.5	45.75	49.0	52.25
1301.0	WAIST WIDTH POSITION - from CB neck seam		Graded		0.0	15.0	15.25	15.5	15.75	16.0	16.25
1400.0	WAIST WIDTH - circumference	QC	Graded		0.0	35.0	36.75	38.5	41.75	45.0	48.25
1610.0	SWEEP WIDTH - circumference	QC	Graded		0.0	40.0	42.0	44.0	47.25	50.5	53.75
2003.0	BACK BODY LENGTH - CB neck to edge of hem - group grade	QC	Graded		0.0	25.0	26.0	26.0	27.0	27.0	28.0
2203.0	SHOULDER WIDTH - Natural Shoulder - seam to seam	QC	Graded		0.0	15.0	15.5	16.0	16.875	17.75	18.625
2602.0	SLEEVE LENGTH - Long Sleeve - CB neck to hem edge	QC	Graded		0.0	32.5	33.0	33.5	34.375	35.25	36.125
2722.0	SLEEVE WIDTH - circumference - 1 inch down from armhole seam	QC	Graded		0.0	16.0	16.5	17.0	17.875	18.75	19.625
2822.0	ELBOW WIDTH - circumference - at mid point of under sleeve seam	QC	Graded		0.0	12.75	13.125	13.5	14.125	14.75	15.375
3002.0	SLEEVE OPENING - long sleeve (Relaxed) - circumference	QC	Graded		0.0	8.0	8.25	8.5	8.875	9.25	9.625
3004.0	SLEEVE OPENING - long sleeve (Extended) - circumference	QC	Graded		0.0	9.5	9.75	10.0	10.375	10.75	11.125
3450.0	NECK CIRCUMFERENCE - at seam	QC	Graded		0.0	17.0	17.75	18.5	19.5	20.5	21.5
3600.0	COLLAR LENGTH - at top	QC	Graded		0.0	17.0	17.75	18.5	19.5	20.5	21.5
3650.0	COLLAR HEIGHT - at CB	QC	Graded		0.0	2.5	2.5	2.5	2.5	2.5	2.5
3651.0	COLLAR HEIGHT - at CF	QC	Graded		0.0	2.5	2.5	2.5	2.5	2.5	2.5

Measurements

Line Slot: Kruser Ridge III Softshell Jacket

State: Production

Season: F25

Merchandise Division: Outerwear

Merchandise Collection: Trail

Product Class: Soft Shell Tops

Designer: nzan

Developer: jenchen

LO Developer: mbal

Sourcing Manager: melissa.gallagher

Fit Engineer: jenchen



Design: F4WO208502

Sample LO:

Production LO: India

Style Material Style

Style Description Pattern

Base Size Size Scale

Fit SMU Type

WL1684

2085021

Kruser Ridge™ III L18L8001
Softshell Jacket

M

XS - XXL

Regular

N/A

Sort Order		Use	Type	Placemen t	(+/-)	XS	S	M	L	XL	XXL
930.0	Drawcord-Cording-Laces 1		Compo nent		0.0	48.0	50.0	52.0	55.25	58.5	61.75
960.0	Drawcord-Cording-Laces 2		Compo nent		0.0	7.0	7.0	7.0	7.0	7.0	7.0
3190.0	Webbing and Tape 1		Compo nent		0.0	8.75	9.0	9.25	9.625	10.0	10.375
3210.0	Webbing and Tape 2		Compo nent		0.0	2.25	2.25	2.25	2.25	2.25	2.25
3670.0	Zipper 1		Compo nent		0.0	25.0	26.0	26.0	27.0	27.0	28.0
3690.0	Zipper 2		Compo nent		0.0	7.0	7.5	7.5	8.0	8.0	8.5

This is confidential and proprietary information of Columbia Sportswear Company. You agree that you will not disclose this information to any third party or use it for any purpose other than on behalf of Columbia. You have no right to use Columbia's name or any of its trademarks, trade names, copyrights, patents, designs or other intellectual property except as set forth in writing by Columbia.

Sales Sample Comments - WL1684

Line Slot: Kruser Ridge III Softshell Jacket

State: Production

Season: F25

Designer: nzan

Developer: jenchen

LO Developer: mbal

Sourcing Manager: melissa.gallagher



Style	Material Style	Style Description	Design	Pattern	Base Size	Size Scale	Sample LO	Production LO
WL1684	2085021	Kruser Ridge™ III Softshell Jacket	F4WO208502	L18L8001	M	XS - XXL		India

Report #: 0000063608

Office: India

Factory Code: SEP

Factory Name: SHAHI EXPORTS PVT. LTD.

Sample Sizes: M

Estimated First Buy Date:

Factory Country of Origin: India

Comments: CC 607

MEASUREMENT CHART - SIZE M

Point of Measure	Use	Type	(+/-)	Requested	LO Actual	Difference	QA Actual	Difference
CHEST WIDTH - circumference - 1 inch down from armhole seam	QC	Graded	0.0	42.5				
WAIST WIDTH - circumference	QC	Graded	0.0	38.5				
SWEEP WIDTH - circumference	QC	Graded	0.0	44.0				
BACK BODY LENGTH - CB neck to edge of hem - group grade	QC	Graded	0.0	26.0				
SHOULDER WIDTH - Natural Shoulder - seam to seam	QC	Graded	0.0	16.0				
SLEEVE LENGTH - Long Sleeve - CB neck to hem edge	QC	Graded	0.0	33.5				
SLEEVE WIDTH - circumference - 1 inch down from armhole seam	QC	Graded	0.0	17.0				
ELBOW WIDTH - circumference - at mid point of under sleeve seam	QC	Graded	0.0	13.5				
SLEEVE OPENING - long sleeve (Relaxed) - circumference	QC	Graded	0.0	8.5				
SLEEVE OPENING - long sleeve (Extended) - circumference	QC	Graded	0.0	10.0				
NECK CIRCUMFERENCE - at seam	QC	Graded	0.0	18.5				
COLLAR LENGTH - at top	QC	Graded	0.0	18.5				
COLLAR HEIGHT - at CB	QC	Graded	0.0	2.5				
COLLAR HEIGHT - at CF	QC	Graded	0.0	2.5				

Liaison Office Comments ravi 9/18/2024 5:43:18 AM

Fabric

No Comments.

Trims

No Comments.

Sales Sample Comments - WL1684

Line Slot: Kruser Ridge III Softshell Jacket

State: Production

Season: F25

Designer: nzan

Developer: jenchen

LO Developer: mbal

Sourcing Manager: melissa.gallagher



Style	Material Style	Style Description	Design	Pattern	Base Size	Size Scale	Sample LO	Production LO
WL1684	2085021	Kruser Ridge™ III Softshell Jacket	F4WO208502	L18L8001	M	XS - XXL		India

Report #: 0000063608

Office: India

Factory Code: SEP

Factory Name: SHAHI EXPORTS PVT. LTD.

Sample Sizes: M

Estimated First Buy Date:

Factory Country of Origin: India

Comments: CC 607

Embellishment

No Comments.

Garment dye/Wash

Non wash

Measurement

With in tolerance.

Construction

Bottom hem width uneven

Shine marks at bottom (Draw-cord impression)

Product Developer Comments

This is confidential and proprietary information of Columbia Sportswear Company. You agree that you will not disclose this information to any third party or use it for any purpose other than on behalf of Columbia. You have no right to use Columbia's name or any of its trademarks, trade names, copyrights, patents, designs or other intellectual property except as set forth in writing by Columbia.

Sales Sample Comments - WL1684

Line Slot: Kruser Ridge III Softshell Jacket

State: Production

Season: F25

Designer: nzan

Developer: jenchen

LO Developer: mbal

Sourcing Manager: melissa.gallagher



Style	Material Style	Style Description	Design	Pattern	Base Size	Size Scale	Sample LO	Production LO
WL1684	2085021	Kruser Ridge™ III Softshell Jacket	F4WO208502	L18L8001	M	XS - XXL		India

Report #: 0000063608

Office: India

Factory Code: SEP

Factory Name: SHAHI EXPORTS PVT. LTD.

Sample Sizes: M

Estimated First Buy Date:

Factory Country of Origin: India

Comments: CC 607

Technical

Line Slot: Kruser Ridge III Softshell Jacket		State: Production		Season: F25			
Merchandise Division: Outerwear	Merchandise Collection: Trail	Product Class: Soft Shell Tops					
Designer: nzan	Developer: jenchen	LO Developer: mbal		Sourcing Manager: melissa.gallagher			
Fit Engineer: jenchen							
Design:	F4WO20850 2	Sample LO:	Production LO:	India			
Style	Material Style	Style Description	Pattern	Base Size	Size Scale	Fit	SMU Type
WL1684	2085021	Kruser Ridge™ III Softshell Jacket	L18L8001	M	XS - XXL	Regular	N/A

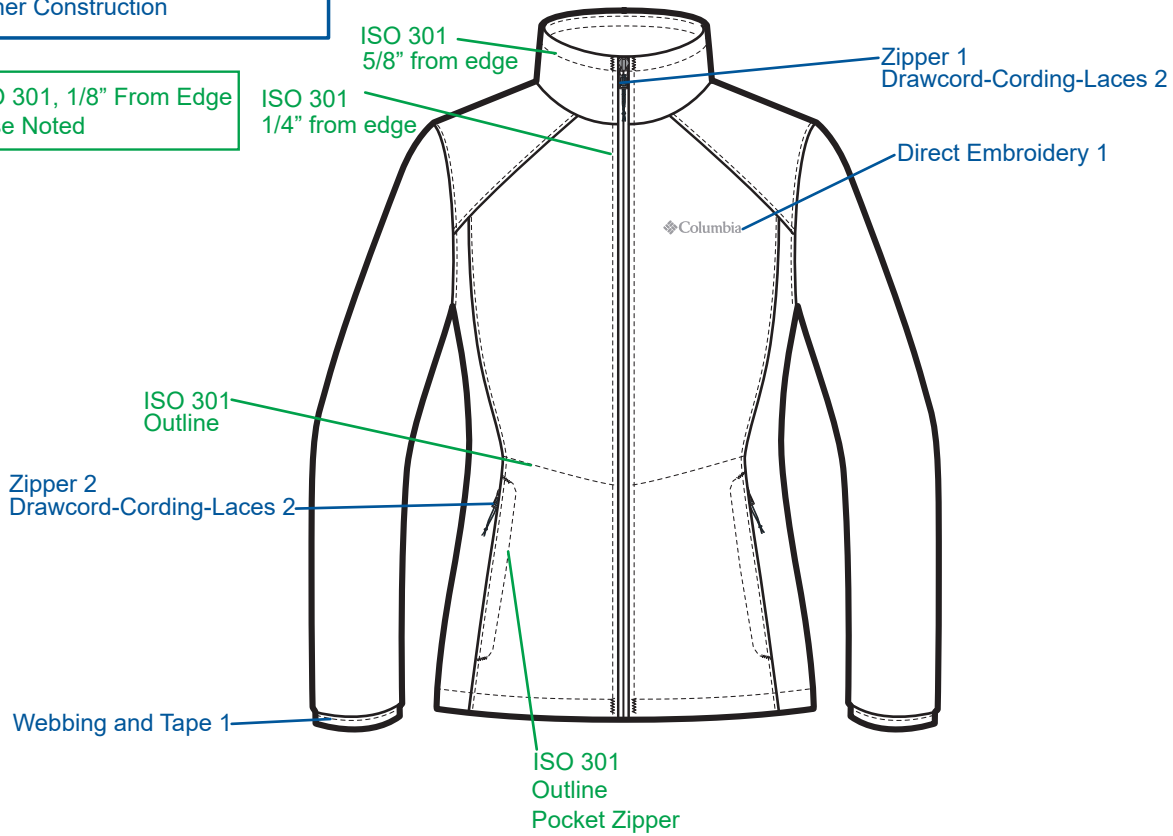


Last Updated: 01.01.21 XX

*All Shell ① unless Indicated

Lining 1 Hand Pocket and Interior Hem facings
Lining 2 Inside Collar
Lining 3 Hand Pocket Bags
Interfacing 1 Top Collar and Hand Pocket Flap
Thread 1 - Topstitching
Thread 2 - All other Construction

All Topstitch ISO 301, 1/8" From Edge Unless Otherwise Noted

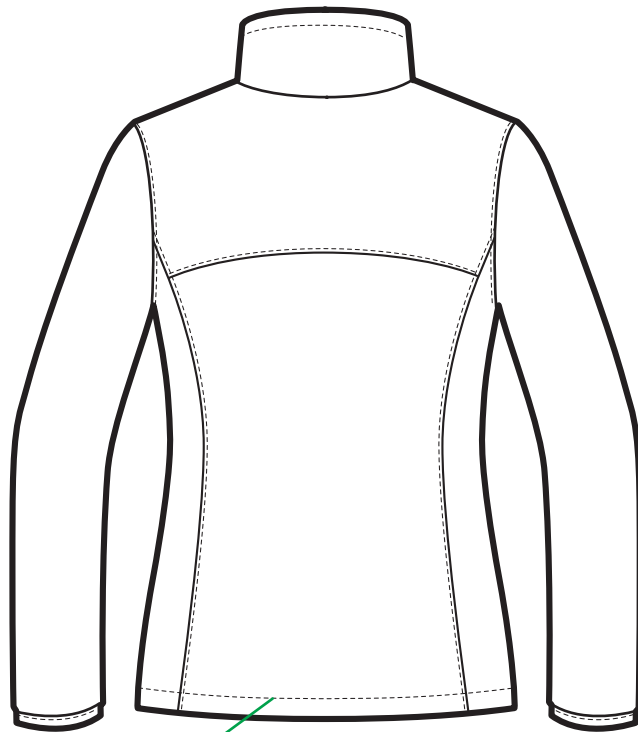


Technical

Line Slot: Kruser Ridge III Softshell Jacket State: Production Season: F25
 Merchandise Division: Outerwear Merchandise Collection: Trail Product Class: Soft Shell Tops
 Designer: nzan Developer: jenchen LO Developer: mbal Sourcing Manager: melissa.gallagher
 Fit Engineer: jenchen



Design:	F4WO20850 2	Sample LO:		Production LO:	India		
Style	Material Style	Style Description	Pattern	Base Size	Size Scale	Fit	SMU Type
WL1684	2085021	Kruser Ridge™ III Softshell Jacket	L18L8001	M	XS - XXL	Regular	N/A



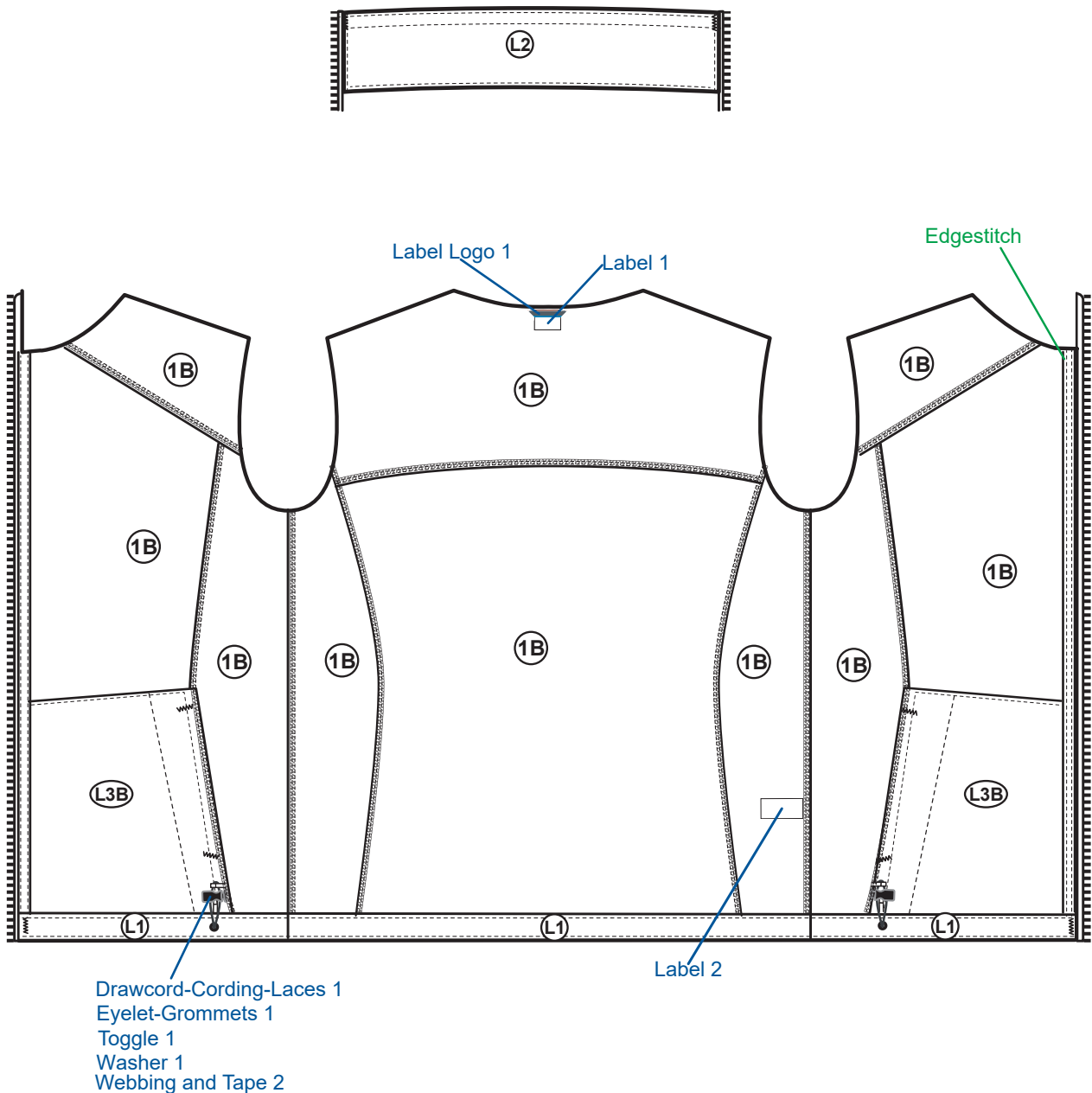
ISO 301
1" from edge

Technical

Line Slot: Kruser Ridge III Softshell Jacket		State: Production		Season: F25			
Merchandise Division: Outerwear	Merchandise Collection: Trail	Product Class: Soft Shell Tops					
Designer: nzan	Developer: jenchen	LO Developer: mbal		Sourcing Manager: melissa.gallagher			
Fit Engineer: jenchen							
Design:	F4WO20850 2	Sample LO:	Production LO:	India			
Style	Material Style	Style Description	Pattern	Base Size	Size Scale	Fit	SMU Type
WL1684	2085021	Kruser Ridge™ III Softshell Jacket	L18L8001	M	XS - XXL	Regular	N/A



Last Updated: 01.01.21 XX

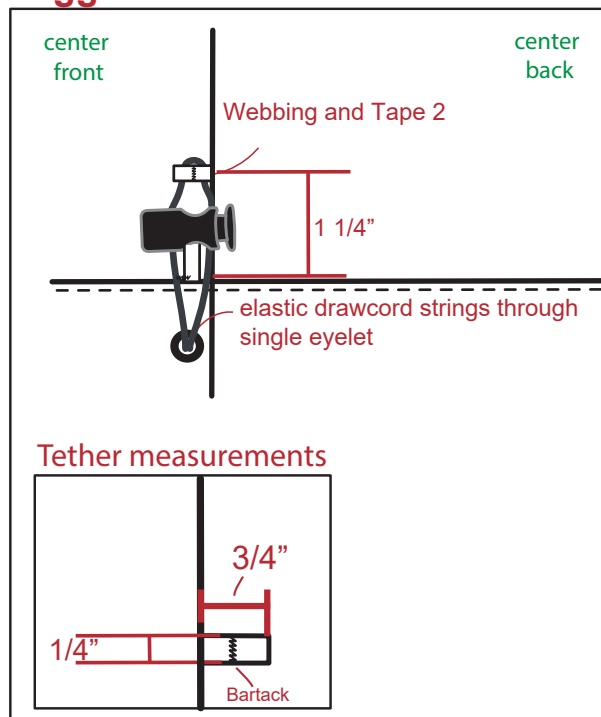


Technical

Line Slot: Kruser Ridge III Softshell Jacket		State: Production		Season: F25			
Merchandise Division: Outerwear	Merchandise Collection: Trail	Product Class: Soft Shell Tops					
Designer: nzan	Developer: jenchen	LO Developer: mbal		Sourcing Manager: melissa.gallagher			
Fit Engineer: jenchen							
Design:	F4WO20850 2	Sample LO:	Production LO:	India			
Style	Material Style	Style Description	Pattern	Base Size	Size Scale	Fit	SMU Type
WL1684	2085021	Kruser Ridge™ III Softshell Jacket	L18L8001	M	XS - XXL	Regular	N/A



Toggle Detail



This is confidential and proprietary information of Columbia Sportswear Company. You agree that you will not disclose this information to any third party or use it for any purpose other than on behalf of Columbia. You have no right to use Columbia's name or any of its trademarks, trade names, copyrights, patents, designs or other intellectual property except as set forth in writing by Columbia.

Hangtag Package Report

Apparel Style: WL1684

Season: F25

Brand: Columbia

Merchandise Category: Outerwear

Merchandiser: Lindsey.Beecher

Line Slot: Kruser Ridge III Softshell Jacket

Sort Order: 0.5 Part: 126967 - Regular Fit Swing Tag
 Instruction: Swing tag to be placed on top of cover tag on same plastic stringer.

SKU/Version #	Size	Name	Expiry Date
OP1490984	126967	OP1490984_126967_MT_Regular Fit	10-18-23

MINI TAG (Front)



MINI TAG (Back)



SKU/Version #	Size	Name	Expiry Date
Process Blue / Process Blue	126967	TC-1	
25" x 13" / 1050mm x 880mm		ApexCoat Coating, Die Cut, 3mm Punch	



Sort Order: 1.0 Part: 097038 - Columbia Omni-Shield Hangtag
 Instruction: (Tag should be hung with 3" plastic loop stringer through lower left front pocket zipper pull)

SKU/Version #	Size	Name	Expiry Date
OP984986	097038	OP984986_097038_TC_Columbia_OmniShield	01-17-23

TECH CARD (Front)



TECH CARD (Back)



SKU/Version #	Size	Name	Expiry Date
4" x Process Blue / Process Blue	126967	TC-1	
2.25" x 2.14" / 58.90mm x 85.30mm		ApexCoat Coating, Die Cut, 3mm Punch	



Sort Order: 9.0 Part: 121612 - MSRP/UPC with RFID Specs for MSRP.
 Please refer to VAS specs for any exceptions. MSRP required on all product shipping to the US.
 Instruction:

