

### Part Specifications with Approved Suppliers

Line Slot: Kruser Ridge III Softshell CC      State: Production      Season: F25  
 Merchandise Division: Outerwear      Merchandise Collection: Trail      Product Class: Soft Shell Tops  
 Designer: wkiller      Developer: ccheng      LO Developer: triveni.hebbbar      Sourcing Manager: james.burnett  
 Fit Engineer: ccheng



Design: F4WO212493      Sample LO:      Production LO: India      Vendor Master: BANGLADES      Vendor Master: INDIA  
 Production LO: H      Sourcing LO:  
 Style      Material Style      Style Description      Pattern      Base Size      Size Scale      Fit      SMU Type  
 XL9402      2124931      Kruser Ridge™ III Softshell CC      L24L9255      M      XS - XXL      Regular      Carry Over, Tag On

Number	Description	UM	Fiber Content	Fiber Content Back	Material Coating	Material Finish (Face)	Material Laminate	Trim Specific	Supplier Art No	Country of Origin	Standard Cost (FOB)	Purchase Cost (CIF)	Product on Lead Time with Greige	Product on Lead Time without Greige
<b>Fabric</b>														
121277	PFC FREE Version of 032888 - Nexgen Contour Softshell	yd	100% Polyester	100% Polyester	MaterialCoatingNone	Durable Water Repellent (80/10HL) CO PFOA/PFOS Free	Adhesive - Dot Matrix							
Jiaxing Deyong Textiles Co Ltd (JDT)			Fabric Width: 55.0 in Width Type: unassigned Primary Weight: 310.0 g/m2						TBD	China	4.37	0.0	48	70
119358	PFC Free Version of 064235 Nexgen Precision and Contour Softshell Face Only	yd	100% Polyester	unassigned	MaterialCoatingNone	MaterialFinishNone, Durable Water Repellent (80/10HL) CO PFOA/PFOS Free	MaterialLaminateNone							
Apex Textile Co. Ltd.			Fabric Width: 58.0 in Width Type: cuttable Primary Weight: 119.0 g/m2						FA1107DE	China	1.94	0.0	30	40
074040	Improved Tricot Fleece - CJV	yd	100% Polyester	unassigned	MaterialCoatingNone	Brushed (Tech Face)	MaterialLaminateNone							
HTT Insprite (Xiamen) Imp & Exp Co. Ltd.			Fabric Width: 60.0 in Width Type: cuttable Primary Weight: 145.0 g/m2						TBA	China	0.9	0.0	35	45
004476	FOR POCKETING AND YOUTH STYLES ONLY Chamois Touch Tricot	yd	100% Polyester	unassigned	unassigned	Anti-pill (face), Brushed (Tech Face)	unassigned							
Huge-Bamboo Enterprise Co., Ltd.			Fabric Width: 60.0 in Width Type: cuttable Primary Weight: 75.0 g/m2						RA145069-7C-5910225A	Vietnam	0.65	0.0	35	50
Haren Textiles Pvt. Ltd.			Fabric Width: 60.0 in Width Type: cuttable Primary Weight: 80.0 g/m2						90363	India	0.68	0.0	30	45
YOUNGONE CORPORATION--Fabric division			Fabric Width: 60.0 in Width Type: cuttable Primary Weight: 77.0 g/m2						PDM004476	Bangladesh	0.94	0.0	40	70
Huge Rock Textile Co., Ltd.			Fabric Width: 60.0 in Width Type: cuttable Primary Weight: 75.0 g/m2						004476	Taiwan	0.95	0.0	60	75
HTT Insprite (Xiamen) Imp & Exp Co. Ltd.			Fabric Width: 60.0 in Width Type: cuttable Primary Weight: 75.0 g/m2						004476	China	0.67	0.0	35	60
110671	Recycled Interlining Sew-In Non-Woven Lightweight Soft SAME AS VIRGIN VERSION 011958	yd	80% Recycled Polyester, 20% Viscose	unassigned	unassigned	unassigned	unassigned							
Freudenberg-Hong Kong			Fabric Width: 39.0 in Width Type: cuttable Primary Weight: 30.0 g/m2						AO 201	Taiwan	0.27	0.0	14	30
MaxBond			Fabric Width: 48.0 in Width Type: cuttable Primary Weight: 30.0 g/m2						Recycled 011958	Vietnam	0.29	0.0	15	30

## Part Specifications with Approved Suppliers

Line Slot: Kruser Ridge III Softshell CC      State: Production      Season: F25  
 Merchandise Division: Outerwear      Merchandise Collection: Trail      Product Class: Soft Shell Tops  
 Designer: wkiller      Developer: ccheng      LO Developer: triveni.hebbbar      Sourcing Manager: james.burnett  
 Fit Engineer: ccheng



Design: F4WO212493      Sample LO:      Production LO: India      Vendor Master: BANGLADES      Vendor Master: INDIA  
 Production LO: H      Sourcing LO:  
 Style: Material Style      Style Description      Pattern      Base Size      Size Scale      Fit      SMU Type  
 XL9402      2124931      Kruser Ridge™ III Softshell CC      L24L9255      M      XS - XXL      Regular      Carry Over, Tag On

Number	Description	UM	Fiber Content	Fiber Content Back	Material Coating	Material Finish (Face)	Material Laminate	Trim Specific	Supplier Art No	Country of Origin	Standard Cost (FOB)	Purchase Cost (CIF)	Product on Lead Time with Greige	Product on Lead Time without Greige
<b>Trim</b>														
003374	64mm (B) Bug Columbia Logo Embroidery 1 clr Est st ct 1570.	ea	unassigned	unassigned	unassigned	unassigned	unassigned	unassigned	Size UM: mm Width: 64.0 Height: 11.6					
Contractor									unassigned	unassigned	0.0	0.0	0	0
FGV - Kenpark Bangladesh Apparel									003374	unassigned	0.0	0.0	0	0
FGV - HKD GLOBAL LTD (HKD)									003374	unassigned	0.0	0.0	0	0
FGV - Confecciones del Valle SA de CV									003374	unassigned	0.0	0.0	0	0
FGV - DADA(DHAKA) LTD. (DDL)									TBD	unassigned	0.0	0.0	7	15
380083	2.5mm OD Stretch Drawcord Polyester/ 1 color	yd	55% Latex, 45% Polyester	unassigned	unassigned	unassigned	unassigned	unassigned	Size UM: mm Outside Diameter: 2.5					
Gong Myung Korea									380083	South Korea	0.058	0.0	30	30
Elasticos Universales (Eltitex)									R-16/3	Guatemala	0.15	0.0	0	30
Naturub Group of Companies									BBA-011577	Bangladesh	0.0538	0.0	30	30
Paiho Global									TRU0001	Taiwan	0.058	0.0	30	60
008166	1.5mm non stretch drawcord w/ticks 2 clr (ECO version use 082935)	yd	100% Polyester	unassigned	unassigned	unassigned	unassigned	unassigned	Size UM: yd					
Chun Wo Ho Co. Ltd									320704	China	0.07	0.0	30	35
Gong Myung Korea									GM-8166	South Korea	0.0483	0.0	30	30
Paiho Global									008166	Taiwan	0.049	0.0	30	60
Naturub Group of Companies									BBA011534 (Multicolor) / BBA-011773 (Solid color)	Bangladesh	0.0442	0.0	30	30
FGV Sourced									008166	unassigned	0.0609	0.0	15	0
FGV - Shahi Exports Pvt. (SEP) Ltd.									008166	India	0.045	0.0	15	25
420001	5 mm ID Metal Eyelet.. 1 clr finish. Use 059589 for enamel DTM color.	set	100% Copper	unassigned	unassigned	unassigned	unassigned	unassigned	Size UM: mm Outside Diameter: 10.0 Inside Diameter: 5.0					
Sungbo									420001	South Korea	0.0088	0.0	30	30
Unitex International Button Accessories Ltd									420001	China	0.0096	0.0	28	40
Button International Company									1001	Taiwan	0.0067	0.0093	30	40
Vietnam Trien Trieu (VTT)									420001	Vietnam	0.025	0.0	0	15

## Part Specifications with Approved Suppliers

Line Slot: Kruser Ridge III Softshell CC      State: Production      Season: F25  
 Merchandise Division: Outerwear      Merchandise Collection: Trail      Product Class: Soft Shell Tops  
 Designer: wkilker      Developer: ccheng      LO Developer: triveni.hebbbar      Sourcing Manager: james.burnett  
 Fit Engineer: ccheng



Design: F4WO212493      Sample LO:      Production LO: India      Vendor Master: BANGLADES      Vendor Master: INDIA  
 Production LO: H      Sourcing LO:  
 Style: Material Style      Style Description      Pattern      Base Size      Size Scale      Fit      SMU Type  
 XL9402      2124931      Kruser Ridge™ III Softshell CC      L24L9255      M      XS - XXL      Regular      Carry Over, Tag On

Number	Description	UM	Fiber Content	Fiber Content Back	Material Coating	Material Finish (Face)	Material Laminate	Trim Specific	Supplier Art No	Country of Origin	Standard Cost (FOB)	Purchase Cost (CIF)	Product on Lead Time with Greige	Product on Lead Time without Greige
ZHEJIANG WEIXING IMP AND EXP COMPANY LTD(SAB Zippers)									SABETCLB08	Bangladesh	0.0089	0.0	20	20
059197	USE ONLY FOR ALL ADULTSIZES AND YOUTH S-XL 42mm x 8mm Lightweight Stripe woven ECO Hanger Loop DOWN 2 clr other colors w Director approval only	ea	100% Recycled Polyester	unassigned	unassigned	unassigned	unassigned	Size UM: mm						
Dong Young									DY-59197	South Korea	0.024	0.0	25	25
Avery Dennison Global									059197	China	0.024	0.0	30	30
110529	Coats Astra EV spun Polyester Tex 30	meter	100% Recycled Polyester	unassigned	unassigned	unassigned	unassigned	Size UM: tex						
Coats Global Thread									EV65090	unassigned	0.00048	0.0	0	0
008214	Coats ASTRA Spun Polyester EV Tex 27 40/2	meter	100% Polyester	unassigned	unassigned	unassigned	unassigned	Size UM: tex						
Coats Global Thread									EV65120	unassigned	0.0003	0.0	0	0
500058	3.5mm ID Round Barrel Two Hole Toggle Nylon 1clr metal content	ea	80% POM, 20% Brass	unassigned	unassigned	unassigned	unassigned	Size UM: mm Width: 8.0 Length: 18.0 Inside Diameter: 3.5						
Unitex International Button Accessories Ltd									500058	Vietnam	0.0351	0.0	35	40
POONG HAN PLASTIC (BD) LIMITED									PH-COL003	Bangladesh	0.031	0.0	30	30
002614	Plastic Washer (Polyurethane) (use on all Snap Stud and Post or Eyelets if needed) Clear CAN BE USED FOR YOUTH	ea	100% Polyurethane	unassigned	unassigned	unassigned	unassigned	Size UM: mm						
Unitex International Button Accessories Ltd									002614	China	0.00559	0.0	28	40
FGV Sourced									002614	unassigned	0.0	0.0	0	0
Button International Company									002614	Taiwan	0.0013	0.0	35	40
Sungbo									002614	unassigned	0.0	0.0	0	0
360183	3/4 in W Foldover (3/8 to show) Woven Stretch Binding 1 clr FOR CAN STYLES PRODUCED IN VN use 110808	yd	86% Nylon, 14% Elastane	unassigned	unassigned	unassigned	unassigned	Size UM: mm Width: 0.75						
Sun Hod Enterprise Co Ltd (formerly Sang Hsin)									360183	Taiwan	0.14	0.168	30	30

### Part Specifications with Approved Suppliers

Line Slot: Kruser Ridge III Softshell CC	State: Production	Season: F25
Merchandise Division: Outerwear	Merchandise Collection: Trail	Product Class: Soft Shell Tops
Designer: wkilker	Developer: ccheng	LO Developer: triveni.hebbar
Fit Engineer: ccheng		Sourcing Manager: james.burnett
Design: F4WO212493    Sample LO:    Production LO: India    Vendor Master: BANGLADES    Vendor Master: INDIA		
Style:    Material Style    Style Description    Pattern    Base Size    Size Scale    Fit    SMU Type		
XL9402    2124931    Kruser Ridge™ III Softshell CC    L24L9255    M    XS - XXL    Regular    Carry Over, Tag On		



Number	Description	UM	Fiber Content	Fiber Content Back	Material Coating	Material Finish (Face)	Material Laminate	Trim Specific	Supplier Art No	Country of Origin	Standard Cost (FOB)	Purchase Cost (CIF)	Product on Lead Time with Greige	Product on Lead Time without Greige
Gong Myung Korea									360183	South Korea	0.136	0.163	30	30
Paiho Global									360183	Taiwan	0.16	0.0	30	60
Naturub Group of Companies									BLD-002550	Bangladesh	0.1328	0.0	30	30
013891	1/4 inch Grosgrain Tape 1 clr (ECO version is 083473)	yd	100% Polyester	unassigned	unassigned	unassigned	unassigned	Size UM: yd						
Gong Myung Korea									GM-013891	South Korea	0.046	0.0	30	30
Cosmos Knitting International Co. Ltd.									013891	Vietnam	0.055	0.0	30	35
Paiho Global									013891	Taiwan	0.044	0.0	30	60
Naturub Group of Companies									BND-009427	Bangladesh	0.0422	0.0	30	30
002673	CNFOL-56 DA8BLH H3 P-TOP REVERSE OpenEnd Left-in AutoLk LargeHole AntSilver Slidr/PI PlasticTopStop RevCoil CAN BE USED FOR CHILDREN Metal content	ea	48% Zinc, 25% Polyester, 25% Recycled Polyester, 2% POM	unassigned	unassigned	Metal Finish	unassigned	Size UM: in Length: 8.0						
YKK Global									CIFOL-56 DA8BLH H3 PB16 REVERSE TO-IPOM	Taiwan	0.2745	0.0	30	35
Ideal Fastener Global									IENSFUOL5 6- NSF56B(M)- IP16	China	0.2497	0.2428	21	28
056079	CFC-36 DALH H3 T-B-0 Clsd AutoLk Lg Hole PI AntSilver Slidr/PI No Stps Metal content	ea	unassigned	unassigned	unassigned	unassigned	unassigned	Size UM: in Length: 4.0						
YKK Global									CFC-36 DALH H3 T-B-0	unassigned	0.0888	0.0	35	60
Ideal Fastener Global									IE-NC36-NOSTOPS N36B IP16	China	0.0946	0.08	21	28
059200	40mm CSC International Size Extended Woven ECO Loop Label for use with Hanger Loop	ea	100% Recycled Polyester	unassigned	unassigned	unassigned	unassigned	Size UM: mm						
Avery Dennison Global									059200	China	0.05714	0.0	30	30

## Part Specifications with Approved Suppliers

Line Slot: Kruser Ridge III Softshell CC      State: Production      Season: F25  
 Merchandise Division: Outerwear      Merchandise Collection: Trail      Product Class: Soft Shell Tops  
 Designer: wkiller      Developer: ccheng      LO Developer: triveni.hebbar      Sourcing Manager: james.burnett  
 Fit Engineer: ccheng



Design: F4WO212493      Sample LO:      Production LO: India      Vendor Master: BANGLADES      Vendor Master: INDIA  
 Production LO: H      Sourcing LO:  
 Style      Material Style      Style Description      Pattern      Base Size      Size Scale      Fit      SMU Type  
 XL9402      2124931      Kruser Ridge™ III Softshell CC      L24L9255      M      XS - XXL      Regular      Carry Over, Tag On

Number	Description	UM	Fiber Content	Fiber Content Back	Material Coating	Material Finish (Face)	Material Laminate	Trim Specific	Supplier Art No	Country of Origin	Standard Cost (FOB)	Purchase Cost (CIF)	Product on Lead Time with Greige	Product on Lead Time without Greige
Dong Young									DY-59200	South Korea	0.06	0.0	25	25
Manohar Filaments									23/11813/2	India	0.0461	0.0	30	30
006564	33mm Care Content ECO Booklet Fold label with fully translated country of origin WHT/BLK for most, BLK/WHT for Titanium only, GRY/BLK is for Garment DYE ONLY - waiting on updated artwork	ea	100% Recycled Polyester	unassigned	unassigned	unassigned	unassigned	Size UM: mm						
Dong Young									DY-006564	South Korea	0.04	0.0	15	15
Finotex El Salvador									006564	El Salvador	0.0	0.0	10	0
Avery Dennison Global									S2088861-8	China	0.016	0.0	30	30
Bao Shen (Apparel)									YL15110003 0 PS7530A5	unassigned	0.016	0.0	7	21
Nexgen Packaging Global									006564	unassigned	0.0221	0.0	21	28
097038	Columbia Omni-Shield Hangtag	ea	unassigned	unassigned	unassigned	unassigned	unassigned	Size UM: cm						
Hang Sang Press Co. Ltd									n/a	unassigned	0.0273	0.0	0	0
126967	Regular Fit Swing Tag	ea	unassigned	unassigned	unassigned	unassigned	unassigned	Size UM: in						
Hang Sang Press Co. Ltd									n/a	unassigned	0.023	0.0	0	0
Finotex El Salvador									n/a	unassigned	0.016	0.0	21	28
123131	UPC with RFID label w/o MSRP	ea	unassigned	unassigned	unassigned	unassigned	unassigned	Size UM: cm						
Avery Dennison Global									n/a	unassigned	0.04875	0.0	0	0
980001	Polybag See Standard CCS 4200 for specifications	ea	unassigned	unassigned	unassigned	unassigned	unassigned	Size UM: mm						
Contractor									980001	unassigned	0.0	0.0	0	0
980010	UPC Bag Sticker Generic (MHW/Columbia) See CCS4400/ 4401 and MHW4402 for Mt Hardwear for instructions	ea	unassigned	unassigned	unassigned	unassigned	unassigned	Size UM: mm						
Hang Sang Press Co. Ltd									980010	Hong Kong	0.016	0.0	14	14
Avery Dennison Global									980010	China	0.01089	0.0	30	30
FGV Sourced									980010	unassigned	0.0	0.0	0	0
Bao Shen (Apparel)									980010	unassigned	0.011	0.0	7	21



### Color BOM

Line Slot: Kruser Ridge III Softshell CC  
 Merchandise Division: Outerwear  
 Designer: wkillker  
 Fit Engineer: ccheng

Merchandise Collection: Trail  
 Developer: ccheng

State: Production  
 Product Class: Soft Shell Tops  
 LO Developer: triveni.hebbar

Season: F25  
 Sourcing Manager: james.burnett



Design:	F4WO212493	Sample LO:		Production LO:	India		
Style	Material Style	Style Description	Pattern	Base Size	Size Scale	Fit	SMU Type
XL9402	2124931	Kruser Ridge™ III Softshell CC	L24L9255	M	XS - XXL	Regular	Carry Over, Tag On

Component	Details	Placement	Usage	Width	Marker Width	010-Black
<b>SAP Material Code</b>						<b>2124931010</b>
SMU Accounts						CSC - CANADA, CSC - PORTLAND
Shell 1	121277 PFC FREE Version of 032888 - Nexgen Contour Softshell Composite 100% Polyester 100% Polyester 156X132 75 X75 Durable Water Repellent (80/10HL) C0 PFOA/PFOS Free MaterialCoatingNone Adhesive - Dot Matrix 310.0 g/m2 Piece Dye/Jet and Jig NA		1.26 yd	55.0	55	Black, Black
Lining 1	119358 PFC Free Version of 064235 Nexgen Precision and Contour Softshell Face Only Twill 100% Polyester 160 X 136 75D/72F X 75D/72F MaterialFinishNone, Durable Water Repellent (80/10HL) C0 PFOA/PFOS Free MaterialCoatingNone MaterialLaminateNone 119.0 g/m2 Piece Dye/Jet NA		0.09 yd	58.0	58	Black
Lining 2	074040 Improved Tricot Fleece - CJV Tricot 100% Polyester 28 Brushed (Tech Face) MaterialCoatingNone MaterialLaminateNone 145.0 g/m2 Piece Dye/Jet NA		0.033 yd	60.0	60	Black

### Color BOM

Line Slot: Kruser Ridge III Softshell CC  
 Merchandise Division: Outerwear  
 Designer: wkillker  
 Fit Engineer: ccheng

Merchandise Collection: Trail  
 Developer: ccheng

State: Production  
 Product Class: Soft Shell Tops  
 LO Developer: triveni.hebbar

Season: F25  
 Sourcing Manager: james.burnett



Design:	F4WO212493	Sample LO:		Production LO:	India		
Style	Material Style	Style Description	Pattern	Base Size	Size Scale	Fit	SMU Type
XL9402	2124931	Kruser Ridge™ III Softshell CC	L24L9255	M	XS - XXL	Regular	Carry Over, Tag On

Component	Details	Placement	Usage	Width	Marker Width	010-Black
<b>SAP Material Code</b>						<b>2124931010</b>
Lining 3	004476 FOR POCKETING AND YOUTH STYLES ONLY Chamois Touch Tricot Tricot 100% Polyester 28 Anti-pill (face), Brushed (Tech Face) 80.0 g/m2 Piece Dye/Jet NA		0.095 yd	60.0	60	Black
Interfacing 1	110671 Recycled Interlining Sew-In Non-Woven Lightweight Soft SAME AS VIRGIN VERSION 011958 Interlining 80% Recycled Polyester, 20% Viscose 30.0 g/m2		0.067 yd	39.0	39	White
Direct Embroidery 1	003374 64mm (B) Bug Columbia Logo Embroidery 1 clr Est st ct 1570. Width: 64.0 Height: 11.6		1 ea	0.0	0	Columbia Grey
Drawcord-Cording-Laces 1	380083 2.5mm OD Stretch Drawcord Polyester/ 1 color Outside Diameter: 2.5		1.52 yd	0.0	0	Black
Drawcord-Cording-Laces 2	008166 1.5mm non stretch drawcord w/ticks 2 clr (ECO version use 082935)		0.612 yd	0.0	0	Black, Grill
Eyelets-Grommets 1	420001 5 mm ID Metal Eyelet.. 1 clr finish. Use 059589 for enamel DTM color. Inside Diameter: 5.0 Outside Diameter: 10.0		2 set	0.0	0	Matte Black Copper Finish
Label Logo 1	059197 USE ONLY FOR ALL ADULTSIZES AND YOUTH S-XL 42mm x 8mm Lightweight Stripe woven ECO Hanger Loop DOWN 2 clr other colors w Director approval only		1 ea	0.0	0	Columbia Grey, Grill
Thread 1	110529 Coats Astra EV spun Polyester Tex 30		30 meter	0.0	0	DTM
Thread 2	008214 Coats ASTRA Spun Polyester EV Tex 27 40/2		441 meter	0.0	0	DTM
Toggle 1	500058 3.5mm ID Round Barrel Two Hole Toggle Nylon 1clr metal content Length: 18.0 Width: 8.0 Inside Diameter: 3.5		2 ea	0.0	0	Black



### Color BOM

Line Slot: Kruser Ridge III Softshell CC  
 Merchandise Division: Outerwear  
 Designer: wkiller  
 Fit Engineer: ccheng

Merchandise Collection: Trail  
 Developer: ccheng

State: Production  
 Product Class: Soft Shell Tops  
 LO Developer: triveni.hebbar

Season: F25  
 Sourcing Manager: james.burnett



Design:	F4WO212493	Sample LO:		Production LO:	India		
Style	Material Style	Style Description	Pattern	Base Size	Size Scale	Fit	SMU Type
XL9402	2124931	Kruser Ridge™ III Softshell CC	L24L9255	M	XS - XXL	Regular	Carry Over, Tag On

Component	Details	Placement	Usage	Width	Marker Width	010-Black
<b>SAP Material Code</b>						<b>2124931010</b>
Washer 1	002614 Plastic Washer (Polyurethane) (use on all Snap Stud and Post or Eyelets if needed) Clear CAN BE USED FOR YOUTH		2 ea	0.0	0	Clear
Webbing and Tape 1	360183 3/4 in W Foldover (3/8 to show) Woven Stretch Binding 1 clr FOR CAN STYLES PRODUCED IN VN use 110808 Width: 0.75		0.539 yd	0.0	0	Black
Webbing and Tape 2	013891 1/4 inch Grosgrain Tape 1 clr (ECO version is 083473)		0.131 yd	0.0	0	Black
Zipper 1	002673 CNFOL-56 DA8BLH H3 P-TOP REVERSE OpenEnd Left-in AutoLk LargeHole AntSilver Sldr/PI PlasticTopStop RevCoil CAN BE USED FOR CHILDREN Metal content Length: 8.0		1 ea	0.0	0	Black
Zipper 2	056079 CFC-36 DALH H3 T-B-0 Clsd AutoLk Lg Hole PI AntSilver Sldr/PI No Stps Metal content Length: 4.0		2 ea	0.0	0	Black
Label 1	059200 40mm CSC International Size Extended Woven ECO Loop Label for use with Hanger Loop		1 ea	0.0	0	White, Columbia Grey, Compass Blue
Label 2	006564 33mm Care Content ECO Booklet Fold label with fully translated country of origin WHT/BLK for most, BLK/WHT for Titanium only, GRY/BLK is for Garment DYE ONLY- waiting on updated artwork		1 ea	0.0	0	White, Black
Hangtag Package Part	097038 Columbia Omni-Shield Hangtag		1 ea	0.0	0	Artwork
Hangtag Package Part	126967 Regular Fit Swing Tag		1 ea	0.0	0	Artwork
Hangtag Package Part	123131 UPC with RFID label w/o MSRP		1 ea	0.0	0	Artwork
Packaging 1	980001 Polybag See Standard CCS 4200 for specifications		1 ea	0.0	0	Stock
Packaging 2	980010 UPC Bag Sticker Generic (MHW/Columbia) See CCS4400/ 4401 and MHW4402 for Mt Hardware for instructions		1 ea	0.0	0	Artwork
Packaging 3	064194 Outer Carton for costing purpose only		1 ea	0.0	0	Stock

### Color BOM

Line Slot: Kruser Ridge III Softshell CC

State: Production

Season: F25

Merchandise Division: Outerwear

Merchandise Collection: Trail

Product Class: Soft Shell Tops

Designer: wkiller

Developer: ccheng

LO Developer: triveni.hebbar

Sourcing Manager: james.burnett

Fit Engineer: ccheng

Design: F4WO212493

Sample LO:

Production LO: India

Style Material Style

Style Description Pattern

Base Size Size Scale

Fit

SMU Type

XL9402

2124931

Kruser Ridge™ III L24L9255  
Softshell CC

M

XS - XXL

Regular

Carry Over, Tag  
On



This is confidential and proprietary information of Columbia Sportswear Company. You agree that you will not disclose this information to any third party or use it for any purpose other than on behalf of Columbia. You have no right to use Columbia's name or any of its trademarks, trade names, copyrights, patents, designs or other intellectual property except as set forth in writing by Columbia.

## Colorless BOM



Line Slot: Kruser Ridge III Softshell CC      State: Production      Season: F25  
 Merchandise Division: Outerwear      Merchandise Collection: Trail      Product Class: Soft Shell Tops  
 Designer: wtkilker      Developer: ccheng      LO Developer: triveni.hebbar      Sourcing Manager: james.burnett  
 Fit Engineer: ccheng

Design: F4WO21249      Sample LO: 3      Production LO: India

Style	Material Style	Style Description	Pattern	Base Size	Size Scale	Fit	SMU Type
XL9402	2124931	Kruser Ridge™ III Softshell CC	L24L9255	M	XS - XXL	Regular	Carry Over, Tag On

Component	Details	Placement	Usage	Width	Marker Width
<b>SAP Material Code</b>					
Shell 1	121277 PFC FREE Version of 032888 - Nexgen Contour Softshell Composite 100% Polyester 100% Polyester 156X132 75 X75 Durable Water Repellent (80/10HL) C0 PFOA/PFOS Free MaterialCoatingNone Adhesive - Dot Matrix 310.0 g/m2 Piece Dye/Jet and Jig NA		1.26 yd	55.0	55
Lining 1	119358 PFC Free Version of 064235 Nexgen Precision and Contour Softshell Face Only Twill 100% Polyester 160 X 136 75D/72F X 75D/72F MaterialFinishNone, Durable Water Repellent (80/10HL) C0 PFOA/PFOS Free MaterialCoatingNone MaterialLaminateNone 119.0 g/m2 Piece Dye/Jet NA		0.09 yd	58.0	58
Lining 2	074040 Improved Tricot Fleece - CJV Tricot 100% Polyester 28 Brushed (Tech Face) MaterialCoatingNone MaterialLaminateNone 145.0 g/m2 Piece Dye/Jet NA		0.033 yd	60.0	60
Lining 3	004476 FOR POCKETING AND YOUTH STYLES ONLY Chamois Touch Tricot Tricot 100% Polyester 28 Anti-pill (face), Brushed (Tech Face) 80.0 g/m2 Piece Dye/Jet NA		0.095 yd	60.0	60
Interfacing 1	110671 Recycled Interlining Sew-In Non-Woven Lightweight Soft SAME AS VIRGIN VERSION 011958 Interlining 80% Recycled Polyester, 20% Viscose 30.0 g/m2		0.067 yd	39.0	39
Direct Embroidery 1	003374 64mm (B) Bug Columbia Logo Embroidery 1 clr Est st ct 1570. Width: 64.0 Height: 11.6		1 ea	0.0	0
Drawcord-Cording-Laces 1	380083 2.5mm OD Stretch Drawcord Polyester/ 1 color Outside Diameter: 2.5		1.52 yd	0.0	0

## Colorless BOM



Line Slot: Kruser Ridge III Softshell CC      State: Production      Season: F25  
 Merchandise Division: Outerwear      Merchandise Collection: Trail      Product Class: Soft Shell Tops  
 Designer: wtklker      Developer: ccheng      LO Developer: triveni.hebbar      Sourcing Manager: james.burnett  
 Fit Engineer: ccheng

Design: F4WO21249      Sample LO: 3      Production LO: India

Style	Material Style	Style Description	Pattern	Base Size	Size Scale	Fit	SMU Type
XL9402	2124931	Kruser Ridge™ III Softshell CC	L24L9255	M	XS - XXL	Regular	Carry Over, Tag On

Component	Details	Placement	Usage	Width	Marker Width
<b>SAP Material Code</b>					
Drawcord-Cording-Laces 2	008166 1.5mm non stretch drawcord w/ticks 2 clr (ECO version use 082935)		0.612 yd	0.0	0
Eyelets-Grommets 1	420001 5 mm ID Metal Eyelet.. 1 clr finish. Use 059589 for enamel DTM color. Inside Diameter: 5.0 Outside Diameter: 10.0		2 set	0.0	0
Label Logo 1	059197 USE ONLY FOR ALL ADULT sizes AND YOUTH S-XL 42mm x 8mm Lightweight Stripe woven ECO Hanger Loop DOWN 2 clr other colors w Director approval only		1 ea	0.0	0
Thread 1	110529 Coats Astra EV spun Polyester Tex 30		30 meter	0.0	0
Thread 2	008214 Coats ASTRA Spun Polyester EV Tex 27 40/2		441 meter	0.0	0
Toggle 1	500058 3.5mm ID Round Barrel Two Hole Toggle Nylon 1clr metal content Length: 18.0 Width: 8.0 Inside Diameter: 3.5		2 ea	0.0	0
Washer 1	002614 Plastic Washer (Polyurethane) (use on all Snap Stud and Post or Eyelets if needed) Clear CAN BE USED FOR YOUTH		2 ea	0.0	0
Webbing and Tape 1	360183 3/4 in W Foldover (3/8 to show) Woven Stretch Binding 1 clr FOR CAN STYLES PRODUCED IN VN use 110808 Width: 0.75		0.539 yd	0.0	0
Webbing and Tape 2	013891 1/4 inch Grosgrain Tape 1 clr (ECO version is 083473)		0.131 yd	0.0	0
Zipper 1	002673 CNFOL-56 DA8BLH H3 P-TOP REVERSE OpenEnd Left-in AutoLk LargeHole AntSilver Sldr/PI PlasticTopStop RevCoil CAN BE USED FOR CHILDREN Metal content Length: 8.0		1 ea	0.0	0
Zipper 2	056079 CFC-36 DALH H3 T-B-0 Clsd AutoLk Lg Hole PI AntSilver Sldr/PI No Stps Metal content Length: 4.0		2 ea	0.0	0
Label 1	059200 40mm CSC International Size Extended Woven ECO Loop Label for use with Hanger Loop		1 ea	0.0	0
Label 2	006564 33mm Care Content ECO Booklet Fold label with fully translated country of origin WHT/BLK for most, BLK/WHT for Titanium only, GRY/BLK is for Garment DYE ONLY- waiting on updated artwork		1 ea	0.0	0
Hangtag Package Part	097038 Columbia Omni-Shield Hangtag		1 ea	0.0	0
Hangtag Package Part	126967 Regular Fit Swing Tag		1 ea	0.0	0
Hangtag Package Part	123131 UPC with RFID label w/o MSRP		1 ea	0.0	0

### Colorless BOM



Line Slot: Kruser Ridge III Softshell CC      State: Production      Season: F25

Merchandise Division: Outerwear      Merchandise Collection: Trail      Product Class: Soft Shell Tops

Designer: wkilker      Developer: ccheng      LO Developer: triveni.hebbar      Sourcing Manager: james.burnett

Fit Engineer: ccheng

Design: F4WO21249      Sample LO: 3      Production LO: India

Style	Material Style	Style Description	Pattern	Base Size	Size Scale	Fit	SMU Type
XL9402	2124931	Kruser Ridge™ III Softshell CC	L24L9255	M	XS - XXL	Regular	Carry Over, Tag On

Component	Details	Placement	Usage	Width	Marker Width
<b>SAP Material Code</b>					
Packaging 1	980001 Polybag See Standard CCS 4200 for specifications		1 ea	0.0	0
Packaging 2	980010 UPC Bag Sticker Generic (MHW/Columbia) See CCS4400/ 4401 and MHW4402 for Mt Hardwear for instructions		1 ea	0.0	0
Packaging 3	064194 Outer Carton for costing purpose only		1 ea	0.0	0

This is confidential and proprietary information of Columbia Sportswear Company. You agree that you will not disclose this information to any third party or use it for any purpose other than on behalf of Columbia. You have no right to use Columbia's name or any of its trademarks, trade names, copyrights, patents, designs or other intellectual property except as set forth in writing by Columbia.

### Color Specification

Line Slot: Kruser Ridge III Softshell CC	State: Production	Season: F25
Merchandise Division: Outerwear	Merchandise Collection: Trail	Product Class: Soft Shell Tops
Designer: wkilker	Developer: ccheng	LO Developer: triveni.hebbar
Fit Engineer: ccheng		Sourcing Manager: james.burnett



Design: F4WO212493	Sample LO:	Production LO: India				
Style XL9402	Material Style 2124931	Style Description Kruser Ridge™ III Softshell CC	Pattern L24L9255	Base Size M	Size Scale XS - XXL	Fit Regular
						SMU Type Carry Over, Tag On

Component - Material	010-Black
Shell 1 - 121277	Black, Black
Lining 1 - 119358	Black
Lining 2 - 074040	
Lining 3 - 004476	
Drawcord-Cording-Laces 1 - 380083	
Toggle 1 - 500058	
Webbing and Tape 1 - 360183	
Webbing and Tape 2 - 013891	
Zipper 1 - 002673	
Zipper 2 - 056079	
Interfacing 1 - 110671	
Direct Embroidery 1 - 003374	Columbia Grey
Drawcord-Cording-Laces 2 - 008166	Black, Grill
Eyelets-Grommets 1 - 420001	Matte Black Copper Finish
Label Logo 1 - 059197	Columbia Grey, Grill
Thread 1 - 110529	DTM
Thread 2 - 008214	
Washer 1 - 002614	Clear
Label 1 - 059200	White, Columbia Grey, Compass Blue
Label 2 - 006564	White, Black
Hangtag Package Part - 097038	Artwork
Hangtag Package Part - 126967	
Hangtag Package Part - 123131	
Packaging 2 - 980010	
Packaging 1 - 980001	Stock
Packaging 3 - 064194	

This is confidential and proprietary information of Columbia Sportswear Company. You agree that you will not disclose this information to any third party or use it for any purpose other than on behalf of Columbia. You have no right to use Columbia's name or any of its trademarks, trade names, copyrights, patents, designs or other intellectual property except as set forth in writing by Columbia.



### Costing BOM

Line Slot: Kruser Ridge III Softshell CC

State: Production

Season: F25

Merchandise Division: Outerwear

Merchandise Collection: Trail

Product Class: Soft Shell Tops

Designer: wkiller

Developer: ccheng

LO Developer: triveni.hebbbar

Sourcing Manager: james.burnett

Fit Engineer: ccheng



Design: F4WO212493

Sample LO:

Production LO: India

Style Material Style

Style Description Pattern

Base Size Size Scale

Fit SMU Type

XL9402 2124931

Kruser Ridge™ III L24L9255  
Softshell CC

M

XS - XXL

Regular

Carry Over, Tag  
On

Component	Material	Description	Fabric Width	Supplier	Locked	Country of Origin	Managin g Liaison Office	UoM	Target Cost	FOB Unit Cost	CIF Unit Cost	Usage	Wastage %	Total FOB	Total CIF
Shell 1	121277	PFC FREE Version of 032888 - Nexgen Contour Softshell	55.0	Jiaxing Deyong Textiles Co Ltd (JDT)	N	China	Taiwan- Taipei	yd	4.5	4.37	0.0	1.260	3	5.671	0.000
Lining 1	119358	PFC Free Version of 064235 Nexgen Precision and Contour Softshell Face Only	58.0	Apex Textile Co. Ltd.	N	China	Taiwan- Taipei	yd	0.0	1.94	0.0	0.090	5	0.183	0.000
Lining 2	074040	Improved Tricot Fleece - CJV	60.0	HTT Insprite (Xiamen) Imp & Exp Co. Ltd.	N	China	Taiwan- Taipei	yd	0.0	0.9	0.0	0.033	7	0.032	0.000



### Costing BOM

Line Slot: Kruser Ridge III Softshell CC

State: Production

Season: F25

Merchandise Division: Outerwear

Merchandise Collection: Trail

Product Class: Soft Shell Tops

Designer: wkiller

Developer: ccheng

LO Developer: triveni.hebbbar

Sourcing Manager: james.burnett

Fit Engineer: ccheng



Design: F4WO212493

Sample LO:

Production LO: India

Style Material Style

Style Description Pattern

Base Size Size Scale

Fit

SMU Type

XL9402

2124931

Kruser Ridge™ III L24L9255  
Softshell CC

M

XS - XXL

Regular

Carry Over, Tag  
On

Component	Material	Description	Fabric Width	Supplier	Locked	Country of Origin	Managing Liaison Office	UoM	Target Cost	FOB Unit Cost	CIF Unit Cost	Usage	Wastage %	Total FOB	Total CIF
Lining 3	004476	FOR POCKETING AND YOUTH STYLES ONLY Chamois Touch Tricot	60.0	Haren Textiles Pvt. Ltd.	Y	India	India	yd	0.0	0.68	0.0	0.095	7	0.069	0.000
Interfacing 1	110671	Recycled Interlining Sew-In Non-Woven Lightweight Soft SAME AS VIRGIN VERSION 011958	39.0	Freudenberg-Hong Kong	N	Taiwan	Taiwan-Taipei	yd	0.0	0.27	0.0	0.067	3	0.019	0.000
Direct Embroidery 1	003374	64mm (B) Bug Columbia Logo Embroidery 1 clr Est st ct 1570.	0.0	Contractor	N	unassigned	Hong Kong	ea	0.0	0.0	0.0	1.000	2.0	0.000	0.000
Drawcord-Cording-Laces 1	380083	2.5mm OD Stretch Drawcord Polyester/ 1 color	0.0	Paiho Global	N	Taiwan	Taiwan-Taipei	yd	0.0	0.058	0.0	1.520	7.0	0.094	0.000

### Costing BOM

Line Slot: Kruser Ridge III Softshell CC  
 Merchandise Division: Outerwear  
 Designer: wkiller  
 Fit Engineer: ccheng

Merchandise Collection: Trail  
 Developer: ccheng

State: Production  
 Product Class: Soft Shell Tops  
 LO Developer: triveni.hebbar

Season: F25  
 Sourcing Manager: james.burnett



Design: F4WO212493    Sample LO:    Production LO: India  
 Style: Material Style    Style Description    Pattern    Base Size    Size Scale    Fit    SMU Type  
 XL9402    2124931    Kruser Ridge™ III L24L9255    M    XS - XXL    Regular    Carry Over, Tag On

Component	Material	Description	Fabric Width	Supplier	Locked	Country of Origin	Managin g Liaison Office	UoM	Target Cost	FOB Unit Cost	CIF Unit Cost	Usage	Wastage %	Total FOB	Total CIF
Drawcord-Cording-Laces 2	008166	1.5mm non stretch drawcord w/ticks 2 clr (ECO version use 082935)	0.0	FGV - Shahi Exports Pvt. (SEP) Ltd.	Y	India	India	yd	0.0	0.045	0.0	0.612	7.0	0.029	0.000
Eyelets-Grommets 1	420001	5 mm ID Metal Eyelet.. 1 clr finish. Use 059589 for enamel DTM color.	0.0	Unitex International Button Accessories Ltd	N	China	Portland	set	0.0	0.0096	0.0	2.000	3.0	0.020	0.000
Label Logo 1	059197	USE ONLY FOR ALL ADULTSIZES AND YOUTH S-XL 42mm x 8mm Lightweight Stripe woven ECO Hanger Loop DOWN 2 clr other colors w Director approval only	0.0	Avery Dennison Global	N	China	Portland	ea	0.0	0.024	0.0	1.000	5.0	0.025	0.000

### Costing BOM

Line Slot: Kruser Ridge III Softshell CC

State: Production

Season: F25

Merchandise Division: Outerwear

Merchandise Collection: Trail

Product Class: Soft Shell Tops

Designer: wkiller

Developer: ccheng

LO Developer: triveni.hebbbar

Sourcing Manager: james.burnett

Fit Engineer: ccheng



Design: F4WO212493

Sample LO:

Production LO: India

Style Material Style

Style Description Pattern

Base Size Size Scale

Fit

SMU Type

XL9402

2124931

Kruser Ridge™ III L24L9255  
Softshell CC

M

XS - XXL

Regular

Carry Over, Tag  
On

Component	Material	Description	Fabric Width	Supplier	Locked	Country of Origin	Managing Liaison Office	UoM	Target Cost	FOB Unit Cost	CIF Unit Cost	Usage	Wastage %	Total FOB	Total CIF
Thread 1	110529	Coats Astra EV spun Polyester Tex 30	0.0	Coats Global Thread	N	unassigned	Portland	meter	0.0	0.00048	0.0	30.000	5.0	0.015	0.000
Thread 2	008214	Coats ASTRA Spun Polyester EV Tex 27 40/2	0.0	Coats Global Thread	N	unassigned	Portland	meter	0.0	0.0003	0.0	441.000	5.0	0.139	0.000
Toggle 1	500058	3.5mm ID Round Barrel Two Hole Toggle Nylon 1clr metal content	0.0	Unitex International Button Accessories Ltd	N	Vietnam	Portland	ea	0.0	0.0351	0.0	2.000	2.0	0.000	0.000
Washer 1	002614	Plastic Washer (Polyurethane) (use on all Snap Stud and Post or Eyelets if needed) Clear CAN BE USED FOR YOUTH	0.0	Unitex International Button Accessories Ltd	N	China	Portland	ea	0.0	0.00559	0.0	2.000	3.0	0.012	0.000

### Costing BOM

Line Slot: Kruser Ridge III Softshell CC

State: Production

Season: F25

Merchandise Division: Outerwear

Merchandise Collection: Trail

Product Class: Soft Shell Tops

Designer: wkiller

Developer: ccheng

LO Developer: triveni.hebbbar

Sourcing Manager: james.burnett

Fit Engineer: ccheng



Design: F4WO212493

Sample LO:

Production LO: India

Style Material Style

Style Description Pattern

Base Size Size Scale

Fit

SMU Type

XL9402

2124931

Kruser Ridge™ III L24L9255  
Softshell CC

M

XS - XXL

Regular

Carry Over, Tag  
On

Component	Material	Description	Fabric Width	Supplier	Locked	Country of Origin	Managing Liaison Office	UoM	Target Cost	FOB Unit Cost	CIF Unit Cost	Usage	Wastage %	Total FOB	Total CIF
Webbing and Tape 1	360183	3/4 in W Foldover (3/8 to show) Woven Stretch Binding 1 clr FOR CAN STYLES PRODUCED IN VN use 110808	0.0	Paiho Global	N	Taiwan	Taiwan-Taipei	yd	0.0	0.16	0.0	0.539	7.0	0.092	0.000
Webbing and Tape 2	013891	1/4 inch Grosgrain Tape 1 clr (ECO version is 083473)	0.0	Paiho Global	N	Taiwan	Taiwan-Taipei	yd	0.2	0.044	0.0	0.131	7.0	0.006	0.000

### Costing BOM

Line Slot: Kruser Ridge III Softshell CC

State: Production

Season: F25

Merchandise Division: Outerwear

Merchandise Collection: Trail

Product Class: Soft Shell Tops

Designer: wkiller

Developer: ccheng

LO Developer: triveni.hebbbar

Sourcing Manager: james.burnett

Fit Engineer: ccheng



Design: F4WO212493

Sample LO:

Production LO: India

Style Material Style

Style Description Pattern

Base Size Size Scale

Fit

SMU Type

XL9402

2124931

Kruser Ridge™ III L24L9255  
Softshell CC

M

XS - XXL

Regular

Carry Over, Tag  
On

Component	Material	Description	Fabric Width	Supplier	Locked	Country of Origin	Managing Liaison Office	UoM	Target Cost	FOB Unit Cost	CIF Unit Cost	Usage	Wastage %	Total FOB	Total CIF
Zipper 1	002673	CNFOL-56 DA8BLH H3 P- TOP REVERSE OpenEnd Left-in AutoLk LargeHole AntSilver Sldr/PI PlasticTopStop RevCoil CAN BE USED FOR CHILDREN Metal content	0.0	Ideal Fastener Global	Y	China	Portland	ea	0.0	0.2497	0.2428	1.000	1.0	0.372	0.365
Zipper 2	056079	CFC-36 DALH H3 T-B-0 Clsd AutoLk Lg Hole PI AntSilver Sldr/PI No Stps Metal content	0.0	Ideal Fastener Global	Y	China	Portland	ea	0.0	0.0946	0.08	2.000	1.0	0.225	0.196

### Costing BOM

Line Slot: Kruser Ridge III Softshell CC

State: Production

Season: F25

Merchandise Division: Outerwear

Merchandise Collection: Trail

Product Class: Soft Shell Tops

Designer: wkiller

Developer: ccheng

LO Developer: triveni.hebbbar

Sourcing Manager: james.burnett

Fit Engineer: ccheng



Design: F4WO212493

Sample LO:

Production LO: India

Style Material Style

Style Description Pattern

Base Size Size Scale

Fit

SMU Type

XL9402

2124931

Kruser Ridge™ III L24L9255  
Softshell CC

M

XS - XXL

Regular

Carry Over, Tag  
On

Component	Material	Description	Fabric Width	Supplier	Locked	Country of Origin	Managing Liaison Office	UoM	Target Cost	FOB Unit Cost	CIF Unit Cost	Usage	Wastage %	Total FOB	Total CIF
Label 1	059200	40mm CSC International Size Extended Woven ECO Loop Label for use with Hanger Loop	0.0	Manohar Filaments	Y	India	India	ea	0.0	0.0461	0.0	1.000	3.0	0.047	0.000
Label 2	006564	33mm Care Content ECO Booklet Fold label with fully translated country of origin WHT/BLK for most, BLK/WHT for Titanium only, GRY/BLK is for Garment DYE ONLY- waiting on updated artwork	0.0	Avery Dennison Global	N	China	Portland	ea	0.0	0.016	0.0	1.000	3.0	0.016	0.000

### Costing BOM

Line Slot: Kruser Ridge III Softshell CC  
 Merchandise Division: Outerwear  
 Designer: wkiller  
 Fit Engineer: ccheng

Merchandise Collection: Trail  
 Developer: ccheng

State: Production  
 Product Class: Soft Shell Tops  
 LO Developer: triveni.hebbar

Season: F25  
 Sourcing Manager: james.burnett



Design: F4WO212493  
 Style: Material Style  
 XL9402 2124931

Sample LO:  
 Style Description Pattern  
 Kruser Ridge™ III L24L9255  
 Softshell CC

Production LO: India  
 Base Size: M  
 Size Scale: XS - XXL

Fit: Regular  
 SMU Type: Carry Over, Tag On

Component	Material	Description	Fabric Width	Supplier	Locked	Country of Origin	Managing Liaison Office	UoM	Target Cost	FOB Unit Cost	CIF Unit Cost	Usage	Wastage %	Total FOB	Total CIF
Hangtag Package Part	097038	Columbia Omni-Shield Hangtag	0.0	Hang Sang Press Co. Ltd	N	unassigned	Portland	ea	0.0	0.0273	0.0	1.000	3.0	0.028	0.000
Hangtag Package Part	126967	Regular Fit Swing Tag	0.0	Hang Sang Press Co. Ltd	N	unassigned	Portland	ea	0.0	0.023	0.0	1.000	3.0	0.024	0.000
Hangtag Package Part	123131	UPC with RFID label w/o MSRP	0.0	Avery Dennison Global	N	unassigned	Portland	ea	0.0	0.04875	0.0	1.000	5.0	0.051	0.000
Packaging 1	980001	Polybag See Standard CCS 4200 for specifications	0.0	Contractor	N	unassigned	Hong Kong	ea	0.0	0.0	0.0	1.000	3.0	0.000	0.000

### Costing BOM

Line Slot: Kruser Ridge III Softshell CC

State: Production

Season: F25

Merchandise Division: Outerwear

Merchandise Collection: Trail

Product Class: Soft Shell Tops

Designer: wkillker

Developer: ccheng

LO Developer: triveni.hebbar

Sourcing Manager: james.burnett

Fit Engineer: ccheng



Design: F4WO212493

Sample LO:

Production LO: India

Style Material Style

Style Description Pattern

Base Size Size Scale

Fit

SMU Type

XL9402

2124931

Kruser Ridge™ III L24L9255  
Softshell CC

M

XS - XXL

Regular

Carry Over, Tag  
On

Component	Material	Description	Fabric Width	Supplier	Locked	Country of Origin	Managing Liaison Office	UoM	Target Cost	FOB Unit Cost	CIF Unit Cost	Usage	Wastage %	Total FOB	Total CIF
Packaging 2	980010	UPC Bag Sticker Generic (MHW/Columbia) See CCS4400/ 4401 and MHW4402 for Mt Hardware for instructions	0.0	Avery Dennison Global	Y	China	Portland	ea	0.0	0.01089	0.0	1.000	5.0	0.011	0.000
Packaging 3	064194	Outer Carton for costing purpose only	0.0	Contractor	N	unassigned	Hong Kong	ea	0.0	0.0	0.0	1.000	3.0	0.000	0.000



### Costing BOM

Line Slot: Kruser Ridge III Softshell CC		State: Production		Season: F25			
Merchandise Division: Outerwear	Merchandise Collection: Trail	Product Class: Soft Shell Tops					
Designer: wkilker	Developer: ccheng	LO Developer: triveni.hebbar		Sourcing Manager: james.burnett			
Fit Engineer: ccheng							
Design:	F4WO212493	Sample LO:	Production LO:		India		
Style	Material Style	Style Description	Pattern	Base Size	Size Scale	Fit	SMU Type
XL9402	2124931	Kruser Ridge™ III Softshell CC	L24L9255	M	XS - XXL	Regular	Carry Over, Tag On



This is confidential and proprietary information of Columbia Sportswear Company. You agree that you will not disclose this information to any third party or use it for any purpose other than on behalf of Columbia. You have no right to use Columbia's name or any of its trademarks, trade names, copyrights, patents, designs or other intellectual property except as set forth in writing by Columbia.

## Care Report

Line Slot: Kruser Ridge III Softshell CC		State: Production		Season: F25			
Merchandise Division: Outerwear		Merchandise Collection: Trail		Product Class: Soft Shell Tops			
Designer: wkiller		Developer: ccheng		LO Developer: triveni.hebbbar			
Fit Engineer: ccheng				Sourcing Manager: james.burnett			
Design:	F4WO212493	Sample LO:		Production LO:	India		
Style	Material Style	Style Description	Pattern	Base Size	Size Scale	Fit	SMU Type
XL9402	2124931	Kruser Ridge™ III Softshell CC	L24L9255	M	XS - XXL	Regular	Carry Over, Tag On



Care Code: 2012		Color Way Number	Color Way Name
<b>English</b>	Machine Wash Cold, Wash Separately, Do Not Bleach, Tumble Dry Low, Do Not Iron, Do Not Use Fabric Softener, Do Not Dryclean	010	Black
<b>French</b>	Lavage machine à froid, Laver séparément, Ne pas utiliser d'eau de javel, Séchage machine, basse température, Ne pas repasser, Ne pas utiliser d'assouplissant, Nettoyage à sec interdit		
<b>German</b>	Maschinenwäsche kalt, Separat waschen, Keine Bleichmittel verwenden, Trocknen im Wäschetrockner bei niedriger Temperatur, Nicht bügeln, Keine Weichspüler verwenden, Nicht chemisch reinigen		
<b>Portuguese</b>	Lavar à maquina com água fria, Lavar separadamente, Não alvejar, Secar à máquina em temperatura baixa, Não passar a ferro, Não usar amaciante, Não utilizar limpeza a seco		
<b>Spanish</b>	Lavar a máquina con agua fría, Lavar por separado, No usar lejía, Usar secadora a temperatura baja, No planchar, No usar suavizante de telas, No lavar en seco		
<b>Italian</b>	Lavare in lavatrice in acqua fredda, Lavare separatamente, Non candeggiare, Asciugare a tamburo a bassa temperatura, Non stirare, Non utilizzare ammorbidente, Non lavare a secco		
<b>Russian</b>	Машинная стирка в холодной воде, Стирать отдельно, Не отбеливать, Сушить при низкой температуре, Не гладить, Не использовать кондиционер для тканей, Химчистка запрещена		
<b>Czech Republic</b>	Praní v pračce při nízké teplotě, Prát samostatně, Nebělit, Sušení v sušičce, nízká teplota, Nežehlit, Nepoužívat aviváž, Nečistit chemicky		
<b>Hebrew</b>	כביסה במכונה במים קרים, לכבס בנפרד, לא להלבין, לייבש במייבש כביסה בחום נמוך, לא לגהץ, לא להשתמש במרכז כביסה, לא לנקות בניקוי יבש		
<b>Hungarian</b>	Géppel mossa, hideg vízzel, Különválasztva mossa, Ne használjon fehérítőt, Szárítógépben alacsony hőfokon szárítsa, Ne vasalja, Ne használjon öblítőszeret, Ne vegytisztítsa		
<b>Polish</b>	Prac w temperaturze nie przekraczającej 30°C, Prac oddzielnie, Nie chlorować, Można suszyć bębnowo, niska temperatura, Nie prasować, Nie używać zmiękczacza do tkanin, Nie czyścić chemicznie		
<b>Portuguese Brazil</b>	Lavar à maquina com água fria, Lavar separadamente, Não alvejar, Secar em tambor rotativo em temperatura baixa, Não passar a ferro, Não usar amaciante, Não utilizar limpeza a seco		
<b>Slovakian</b>	Perte v pračce v studenej vode, Perte oddelene, Neodfarbujte, Sušte v bubnovej sušičke pri nízkych otáčkach, Nežehlite, Nepoužívajte avivážne prípravky, Nečistite chemicky		
<b>Slovenian</b>	Mrzlo strojno pranje, Prati posebej, Ne belite, Nizko strojno sušenje, Ne likati, Ne uporabljati mehčalca, Ne suho čistiti		
<b>Spanish Latin American</b>	Lavar a máquina con agua fría, Lavar por separado, No usar blanqueador, Usar secadora a temperatura baja, No planchar, No usar suavizante de telas, No lavar en seco		
<b>Turkish</b>	Makinada Yıkandır, Soğuk, Ayrı Yıkayın, Ağartıcı Kullanmayın, Tambur Kurutma, Düşük, Ütülemeyin, Çamaşır Yumuşatıcısı Kullanmayın, Kuru Temizleme Yapmayın		
<b>Chinese Simplified</b>	冷水机洗, 分开洗涤, 请勿漂白, 低温滚筒烘干, 请勿熨烫, 请勿使用织物柔软剂, 请勿干洗		
<b>Chinese Traditional</b>	冷水機洗, 分開洗滌, 請勿漂白, 低溫滾筒烘乾, 請勿熨燙, 請勿使用織物柔軟劑, 請勿乾洗		
<b>Japanese</b>	洗濯機水洗い, 個別に洗濯してください, 漂白剤使用不可, 乾燥機使用可 (低温), アイロン使用不可, 柔軟剤の使用不可, ドライクリーニング不可		
<b>Korean</b>	가, 가, 가,		
<b>Danish</b>	Kold maskinvask, Vask separat, Må ikke afbleges, Tør i tørretumbler, lav, Brug ikke strygejern, Brug ikke skyllemiddel, Må ikke renses kemisk		
<b>Norwegian</b>	Maskinvask kald, Vaskes separat, Må ikke blekes, Tørketrommel, lav, Skal ikke strykes, Ikke bruk tøyrykner, Skal ikke renses		
<b>Swedish</b>	Maskintvättas kallt, Tvättas separat, Får inte blekas, Torktumlas på låg nivå, Får inte strykas, Sköljmedel får inte användas, Kemtvättas inte		
<b>Dutch</b>	Koud wassen in wasmachine, Apart wassen, Niet bleken, In droger op laag, Niet strijken, Geen wasverzachter gebruiken, Niet laten stomen		

### Care Report

Line Slot: Kruser Ridge III Softshell CC

State: Production

Season: F25

Merchandise Division: Outerwear

Merchandise Collection: Trail

Product Class: Soft Shell Tops

Designer: wkillker

Developer: ccheng

LO Developer: triveni.hebbar

Sourcing Manager: james.burnett

Fit Engineer: ccheng



Design: F4WO212493

Sample LO:

Production LO: India

Style Material Style

Style Description Pattern

Base Size Size Scale

Fit SMU Type

XL9402

2124931

Kruser Ridge™ III  
Softshell CC

L24L9255

M

XS - XXL

Regular

Carry Over, Tag  
On

**French Canadian**

Laver à la machine à l'eau froide, Laver séparément, Ne pas utiliser d'agent de blanchiment, Séchage par culbutage à basse température, Ne pas repasser, Ne pas utiliser d'assouplisseur, Ne pas nettoyer à sec



## Content Report

Line Slot: Kruser Ridge III Softshell CC	State: Production	Season: F25
Merchandise Division: Outerwear	Merchandise Collection: Trail	Product Class: Soft Shell Tops
Designer: wkiller	Developer: ccheng	LO Developer: triveni.hebbar
Fit Engineer: ccheng		Sourcing Manager: james.burnett
Design: F4WO212493	Sample LO:	Production LO: India
Style XL9402	Material Style 2124931	Style Description Pattern Kruser Ridge™ III Softshell CC
	Base Size M	Size Scale XS - XXL
		Fit Regular
		SMU Type Carry Over, Tag On



CONTENT CODE: BVO		Color Way Number	Color Way Name
Shell: <b>100% Polyester</b>		010	Black
Lining: <b>100% Polyester Exclusive of Trimming</b>			
FRENCH	Extérieur: <b>100% Polyester</b> Doublure: <b>100% Polyester Sauf les bordures</b>		
GERMAN	Außenhülle: <b>100% Polyester</b> Futter: <b>100% Polyester Ohne Besatz</b>		
PORTUGUESE	Exterior: <b>100% Poliéster</b> Revestimento: <b>100% Poliéster Sem orlas</b>		
SPANISH	Cubierta: <b>100% Poliéster</b> Revestimiento: <b>100% Poliéster Exclusivo de los ribetes</b>		
ITALIAN	Guscio esterno: <b>100% Poliestere</b> Fodera: <b>100% Poliestere Ad eccezione dei bordini</b>		
RUSSIAN	Оболочка: <b>100% Полиэфир</b> Подклад: <b>100% Полиэфир Без дополнительных деталей</b>		
CZECH REPUBLICAN	Skořepina: <b>100% Polyester</b> Podšívka: <b>100% Polyester Bez nášivek</b>		
HEBREW	מעטפת חיצונית: <b>100% פוליאסטר</b> בטנה: <b>100% פוליאסטר ללא קישוט</b>		
HUNGARIAN	Külső: <b>100% Poliészter</b> Bélés: <b>100% Poliészter Szegélydíszen kívül</b>		
POLISH	Powłoka: <b>100% Poliester</b> Podszewka: <b>100% Poliester Wyłączając naszywki</b>		
PORTUGUESE BRAZIL	Exterior: <b>100% Poliéster</b> Forro: <b>100% Poliéster Sem adornos</b>		
SLOVAKIAN	Plášť: <b>100% Polyester</b> Podšívka: <b>100% Polyester Okrem lemovania</b>		
SLOVENIAN	Lupina: <b>100% Poliester</b> Podloga: <b>100% Poliester Brez obrezovanja</b>		
SPANISH LATIN AMERICAN	Cubierta: <b>100% Poliéster</b> Revestimiento: <b>100% Poliéster Exclusivo de los ribetes</b>		
TURKISH	Kabuk: <b>100% Polyester</b> Astar: <b>100% Polyester Süsler Hariç</b>		

## Content Report

Line Slot: Kruser Ridge III Softshell CC  
 Merchandise Division: Outerwear  
 Designer: wkillker  
 Fit Engineer: ccheng

Merchandise Collection: Trail  
 Developer: ccheng

State: Production  
 Product Class: Soft Shell Tops  
 LO Developer: triveni.hebbbar

Season: F25  
 Sourcing Manager: james.burnett

Design:	F4WO212493	Sample LO:	Production LO:	India			
Style	Material Style	Style Description	Pattern	Base Size	Size Scale	Fit	SMU Type
XL9402	2124931	Kruser Ridge™ III Softshell CC	L24L9255	M	XS - XXL	Regular	Carry Over, Tag On



<b>CHINESE SIMPLIFIED</b>	<b>外壳:</b>	100% 聚酯
	<b>衬里:</b>	100% 聚酯 不包括装饰品
<b>CHINESE TRADITIONAL</b>	<b>外殼:</b>	100% 聚酯
	<b>襯裡:</b>	100% 聚酯 不包括裝飾品
<b>JAPANESE</b>	<b>シエル:</b>	100% ポリエステル
	<b>裏地:</b>	100% ポリエステル 装飾品を除く
<b>KOREAN</b>	:	100%
	:	100%
<b>DANISH</b>	<b>Skal:</b>	100% Polyester
	<b>Foring:</b>	100% Polyester Inkluderer ikke kant
<b>NORWEGIAN</b>	<b>Skall:</b>	100% Polyester
	<b>Foring:</b>	100% Polyester Eksklusiv trimming
<b>SWEDISH</b>	<b>Ytterdel:</b>	100% Polyester
	<b>Foder:</b>	100% Polyester Utan trimming
<b>DUTCH</b>	<b>Schelp:</b>	100% Polyester
	<b>Bekleding:</b>	100% Polyester Exclusief trimmen
<b>FRENCH CANADIAN</b>	<b>Extérieur:</b>	100% Polyester
	<b>Doublure:</b>	100% Polyester Exclut les bordures

### Pattern Piece Detail

Line Slot: Kruser Ridge III Softshell CC		State: Production		Season: F25			
Merchandise Division: Outerwear	Merchandise Collection: Trail	Product Class: Soft Shell Tops					
Designer: wkilker	Developer: ccheng	LO Developer: triveni.hebbar	Sourcing Manager: james.burnett				
Fit Engineer: ccheng							
Design:	F4WO21249 3	Sample LO:	Production LO:	India			
Style	Material Style	Style Description	Pattern	Base Size	Size Scale	Fit	SMU Type
XL9402	2124931	Kruser Ridge™ III Softshell CC	L24L9255	M	XS - XXL	Regular	Carry Over, Tag On



#### L24L9255 - F4WO212493-1 W Kruser Ridge III Softshell CC

Component	Quantity	Long Description	Abbreviation	Code
-----------	----------	------------------	--------------	------

This is confidential and proprietary information of Columbia Sportswear Company. You agree that you will not disclose this information to any third party or use it for any purpose other than on behalf of Columbia. You have no right to use Columbia's name or any of its trademarks, trade names, copyrights, patents, designs or other intellectual property except as set forth in writing by Columbia.

### Measurements

Line Slot: Kruser Ridge III Softshell CC  
 Merchandise Division: Outerwear  
 Designer: wkilker  
 Fit Engineer: ccheng

Merchandise Collection: Trail  
 Developer: ccheng

State: Production  
 Product Class: Soft Shell Tops  
 LO Developer: triveni.hebbar

Season: F25  
 Sourcing Manager: james.burnett



Design: F4WO212493  
 Style: Material Style  
 XL9402 2124931

Sample LO:  
 Style Description Pattern  
 Kruser Ridge™ III L24L9255  
 Softshell CC

Production LO: India  
 Base Size: M  
 Size Scale: XS - XXL

Fit: Regular  
 SMU Type: Carry Over, Tag On

Sort Order		Use	Type	Placemen t	(+/-)	XS	S	M	L	XL	XXL
Grade Rule: CSC Womens Outerwear Tops - XXS-XXL (M) - NT - Block: null											
1101.0	CHEST WIDTH - circumference - 1 inch down from armhole seam	QC	Graded		0.0	38.5	40.5	<b>42.5</b>	45.75	49.0	52.25
1301.0	WAIST WIDTH POSITION - from CB neck seam		Graded		0.0	15.0	15.25	<b>15.5</b>	15.75	16.0	16.25
1400.0	WAIST WIDTH - circumference	QC	Graded		0.0	35.0	36.75	<b>38.5</b>	41.75	45.0	48.25
1610.0	SWEEP WIDTH - circumference	QC	Graded		0.0	40.0	42.0	<b>44.0</b>	47.25	50.5	53.75
2003.0	BACK BODY LENGTH - CB neck to edge of hem - group grade	QC	Graded		0.0	25.0	26.0	<b>26.0</b>	27.0	27.0	28.0
2203.0	SHOULDER WIDTH - Natural Shoulder - seam to seam	QC	Graded		0.0	15.0	15.5	<b>16.0</b>	16.875	17.75	18.625
2602.0	SLEEVE LENGTH - Long Sleeve - CB neck to hem edge	QC	Graded		0.0	32.5	33.0	<b>33.5</b>	34.375	35.25	36.125
2722.0	SLEEVE WIDTH - circumference - 1 inch down from armhole seam	QC	Graded		0.0	16.0	16.5	<b>17.0</b>	17.875	18.75	19.625
2822.0	ELBOW WIDTH - circumference - at mid point of under sleeve seam	QC	Graded		0.0	12.75	13.125	<b>13.5</b>	14.125	14.75	15.375
3002.0	SLEEVE OPENING - long sleeve (Relaxed) - circumference	QC	Graded		0.0	8.0	8.25	<b>8.5</b>	8.875	9.25	9.625
3004.0	SLEEVE OPENING - long sleeve (Extended) - circumference	QC	Graded		0.0	9.5	9.75	<b>10.0</b>	10.375	10.75	11.125
3450.0	NECK CIRCUMFERENCE - at seam	QC	Graded		0.0	17.0	17.75	<b>18.5</b>	19.5	20.5	21.5
3600.0	COLLAR LENGTH - at top	QC	Graded		0.0	17.0	17.75	<b>18.5</b>	19.5	20.5	21.5
3650.0	COLLAR HEIGHT - at CB	QC	Graded		0.0	2.5	2.5	<b>2.5</b>	2.5	2.5	2.5
3651.0	COLLAR HEIGHT - at CF	QC	Graded		0.0	2.5	2.5	<b>2.5</b>	2.5	2.5	2.5

### Measurements

Line Slot: Kruser Ridge III Softshell CC	State: Production	Season: F25
Merchandise Division: Outerwear	Merchandise Collection: Trail	Product Class: Soft Shell Tops
Designer: wkilker	Developer: ccheng	LO Developer: triveni.hebbar
Fit Engineer: ccheng		Sourcing Manager: james.burnett
Design: F4WO212493	Sample LO:	Production LO: India
Style Material Style	Style Description Pattern	Base Size Size Scale
XL9402 2124931	Kruser Ridge™ III Softshell CC L24L9255	M XS - XXL
		Fit SMU Type
		Regular Carry Over, Tag On



Sort Order	Use	Type	Placemen t	(+/-)	XS	S	M	L	XL	XXL
930.0	Drawcord-Cording-Laces 1	Component		0.0	48.0	50.0	<b>52.0</b>	55.25	58.5	61.75
960.0	Drawcord-Cording-Laces 2	Component		0.0	7.0	7.0	<b>7.0</b>	7.0	7.0	7.0
3190.0	Webbing and Tape 1	Component		0.0	8.75	9.0	<b>9.25</b>	9.625	10.0	10.375
3210.0	Webbing and Tape 2	Component		0.0	2.25	2.25	<b>2.25</b>	2.25	2.25	2.25
3670.0	Zipper 1	Component		0.0	25.0	26.0	<b>26.0</b>	27.0	27.0	28.0
3690.0	Zipper 2	Component		0.0	7.0	7.5	<b>7.5</b>	8.0	8.0	8.5

This is confidential and proprietary information of Columbia Sportswear Company. You agree that you will not disclose this information to any third party or use it for any purpose other than on behalf of Columbia. You have no right to use Columbia's name or any of its trademarks, trade names, copyrights, patents, designs or other intellectual property except as set forth in writing by Columbia.



### Thumbnail

Line Slot: Kruser Ridge III Softshell CC

Merchandise Division: Outerwear

Designer: wkilker

Fit Engineer: ccheng

Merchandise Collection: Trail

Developer: ccheng

State: Production

Product Class: Soft Shell Tops

LO Developer: triveni.hebbar

Season: F25

Sourcing Manager: james.burnett

Design: F4WO212493

Style Material Style

XL9402 2124931

Sample LO:

Style Description Pattern

Kruser Ridge™ III L24L9255  
Softshell CC

Production LO: India

Base Size Size Scale

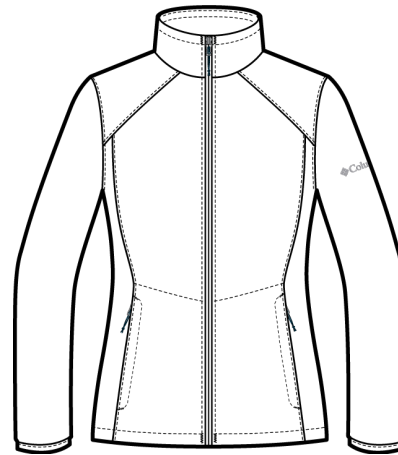
M XS - XXL

Fit

Regular

SMU Type

Carry Over, Tag  
On



This is confidential and proprietary information of Columbia Sportswear Company. You agree that you will not disclose this information to any third party or use it for any purpose other than on behalf of Columbia. You have no right to use Columbia's name or any of its trademarks, trade names, copyrights, patents, designs or other intellectual property except as set forth in writing by Columbia.

## Technical

Line Slot: Kruser Ridge III Softshell CC		State: Production		Season: F25			
Merchandise Division: Outerwear	Merchandise Collection: Trail	Product Class: Soft Shell Tops					
Designer: wkilker	Developer: ccheng	LO Developer: triveni.hebbar	Sourcing Manager: james.burnett				
Fit Engineer: ccheng							
Design:	F4WO21249 3	Sample LO:	Production LO:	India			
Style	Material Style	Style Description	Pattern	Base Size	Size Scale	Fit	SMU Type
XL9402	2124931	Kruser Ridge™ III Softshell CC	L24L9255	M	XS - XXL	Regular	Carry Over, Tag On

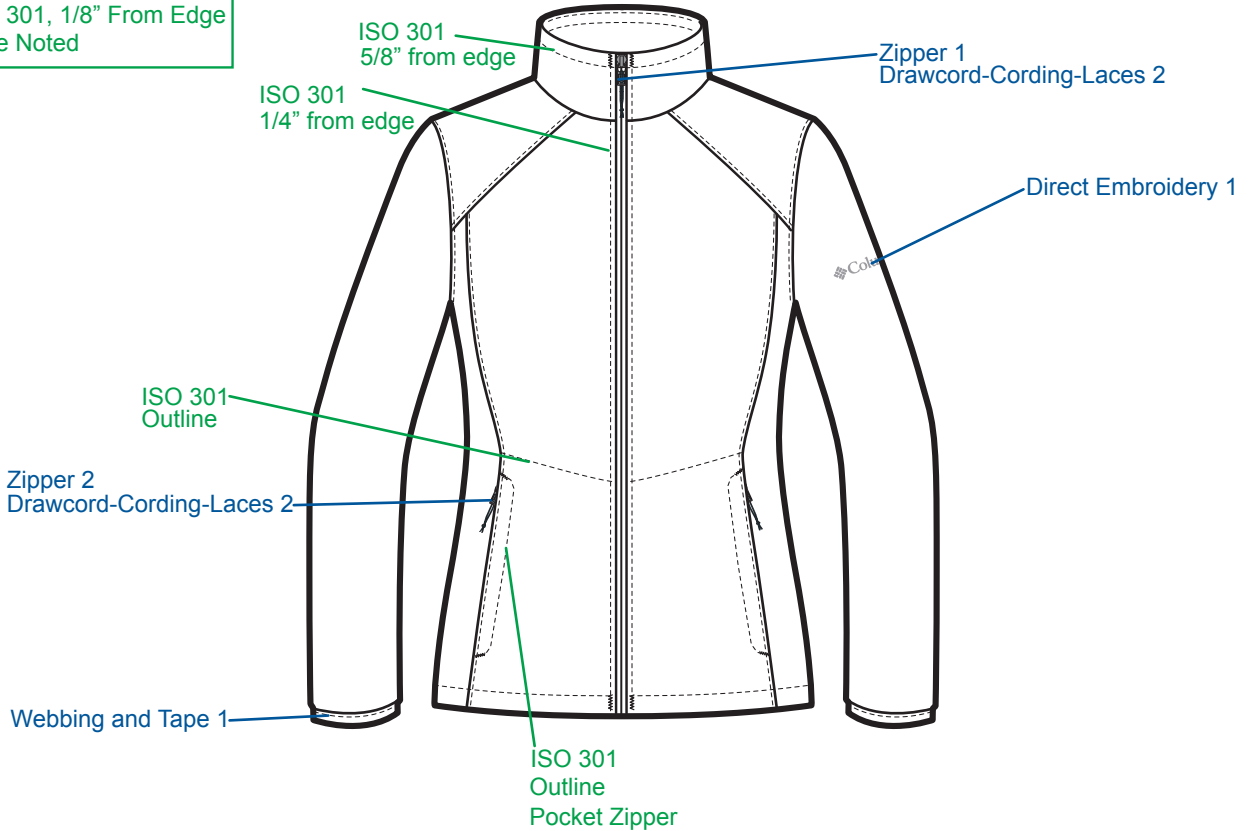


**Last Updated:** 10.31.23 BL

\*All Shell ① unless Indicated

- Lining 1 Hand Pocket and Interior Hem facings
- Lining 2 Inside Collar
- Lining 3 Hand Pocket Bags
- Interfacing 1 Top Collar and Hand Pocket Flap
- Thread 1 - Topstitching
- Thread 2 - All other Construction
- Thread 3 - Interior Shell 1B Bobbin Thread

All Topstitch ISO 301, 1/8" From Edge Unless Otherwise Noted

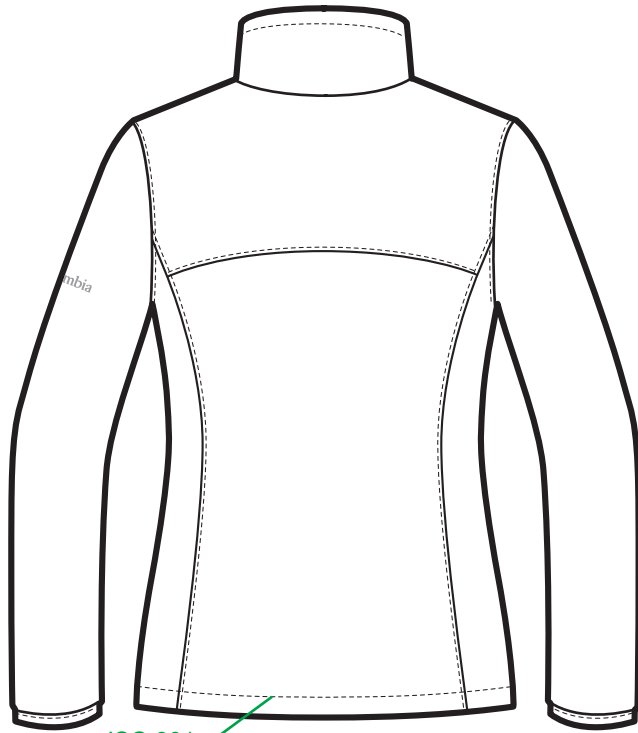


## Technical

Line Slot: Kruser Ridge III Softshell CC		State: Production	Season: F25
Merchandise Division: Outerwear	Merchandise Collection: Trail	Product Class: Soft Shell Tops	
Designer: wkilker	Developer: ccheng	LO Developer: triveni.hebbar	Sourcing Manager: james.burnett
Fit Engineer: ccheng			



Design:	F4WO21249 3	Sample LO:	Production LO:	India			
Style	Material Style	Style Description	Pattern	Base Size	Size Scale	Fit	SMU Type
XL9402	2124931	Kruser Ridge™ III Softshell CC	L24L9255	M	XS - XXL	Regular	Carry Over, Tag On



ISO 301  
1" from edge

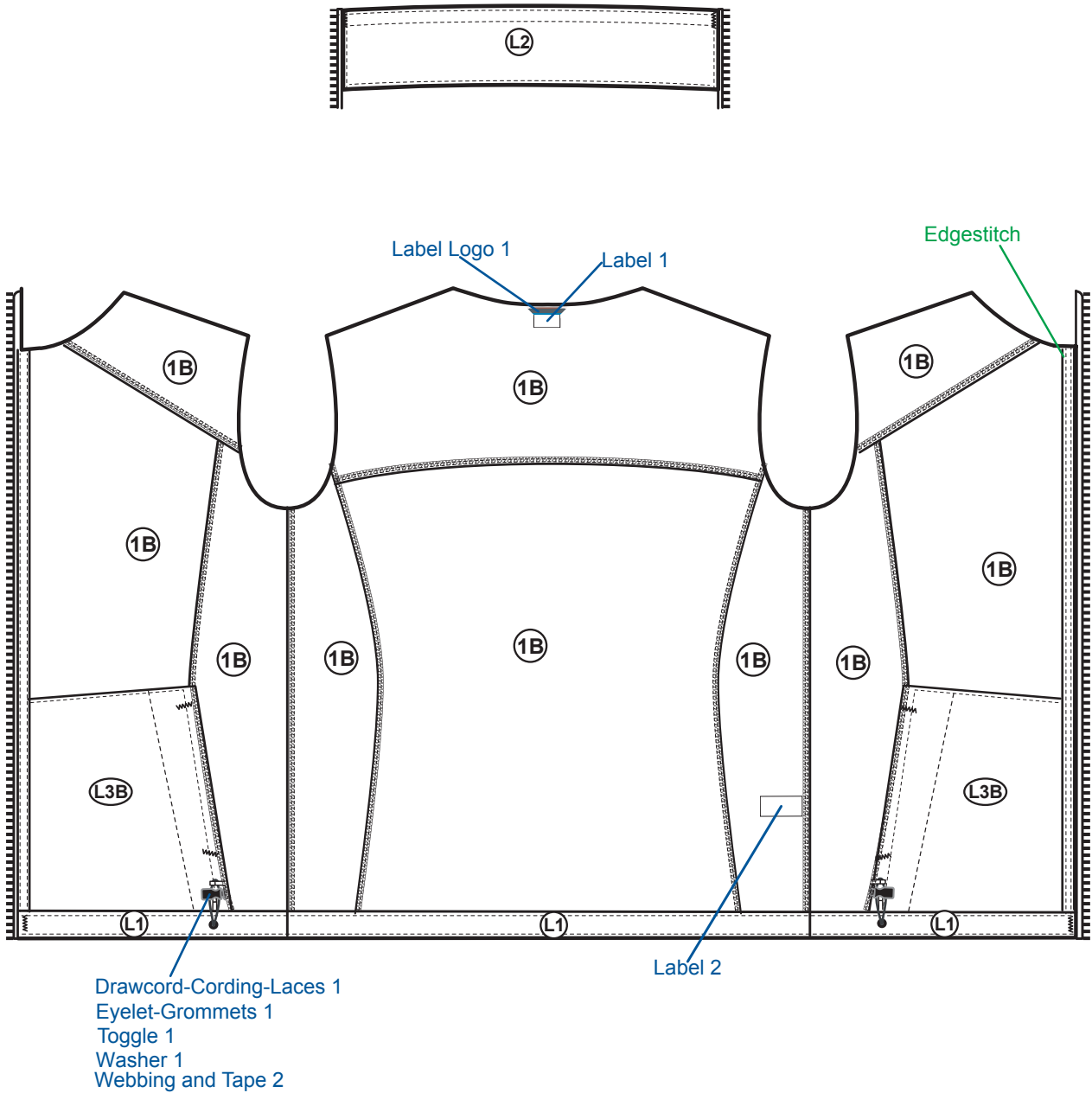
## Technical

Line Slot: Kruser Ridge III Softshell CC		State: Production	Season: F25
Merchandise Division: Outerwear	Merchandise Collection: Trail	Product Class: Soft Shell Tops	
Designer: wtklker	Developer: ccheng	LO Developer: triveni.hebbar	Sourcing Manager: james.burnett
Fit Engineer: ccheng			



Design:	F4WO21249 3	Sample LO:		Production LO:	India		
Style	Material Style	Style Description	Pattern	Base Size	Size Scale	Fit	SMU Type
XL9402	2124931	Kruser Ridge™ III Softshell CC	L24L9255	M	XS - XXL	Regular	Carry Over, Tag On

Last Updated: 10.31.23 BL

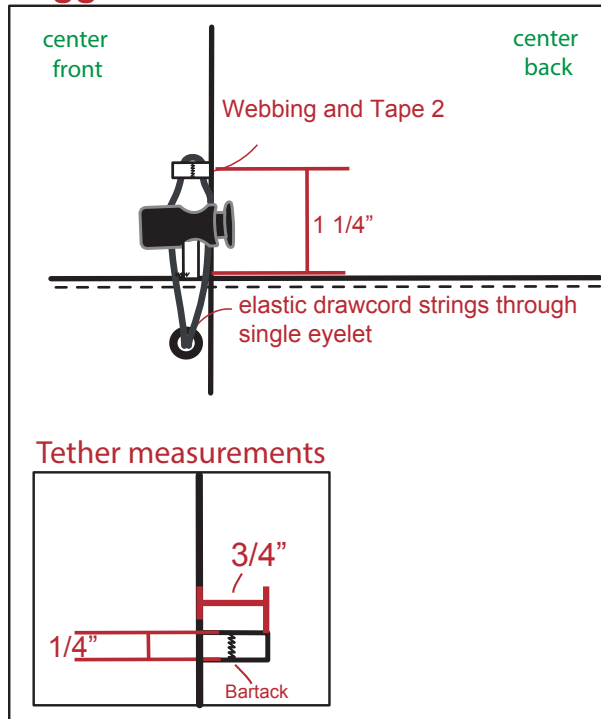


## Technical

Line Slot: Kruser Ridge III Softshell CC		State: Production		Season: F25			
Merchandise Division: Outerwear	Merchandise Collection: Trail	Product Class: Soft Shell Tops					
Designer: wkilker	Developer: ccheng	LO Developer: triveni.hebbar		Sourcing Manager: james.burnett			
Fit Engineer: ccheng							
Design:	F4WO21249 3	Sample LO:		Production LO:	India		
Style	Material Style	Style Description	Pattern	Base Size	Size Scale	Fit	SMU Type
XL9402	2124931	Kruser Ridge™ III Softshell CC	L24L9255	M	XS - XXL	Regular	Carry Over, Tag On



### Toggle Detail



This is confidential and proprietary information of Columbia Sportswear Company. You agree that you will not disclose this information to any third party or use it for any purpose other than on behalf of Columbia. You have no right to use Columbia's name or any of its trademarks, trade names, copyrights, patents, designs or other intellectual property except as set forth in writing by Columbia.

# Hangtag Package Report

Apparel Style: XL9402

Season: F25

Brand: Columbia

Merchandise Category: Outerwear

Merchandiser: avery.richards

Line Slot: Kruser Ridge III Softshell CC

Sort Order: 1.0 Part: 126967 - Regular Fit Swing Tag  
 Instruction: Swing tag to be placed on top of cover tag on same plastic stringer.

SKU/Version #	Size	Name	Expiry Date
OP1490984	126967	OP1490984_126967_MT_Regular Fit	10-18-23

MINI TAG (Front)      MINI TAG (Back)



SKU/Version #	Color	Material	Weight	Notes
Process Blue / Process Blue	126967	32pt CS		
75" x 13" / 1050mm x 88.9mm		ApexCut Coating Die Cut, 3mm punch		MT-1

Sort Order: 2.0 Part: 097038 - Columbia Omni-Shield Hangtag  
 Instruction: (Tag should be hung with 3" plastic loop stringer through lower left front pocket zipper pull)

SKU/Version #	Size	Name	Expiry Date
OP984986	097038	OP984986_097038_TC_Columbia_OmniShield	01-17-23

TECH CARD (Front)



TECH CARD (Back)



SKU/Version #	Color	Material	Weight	Notes
4" x Process Blue / Process Blue	126967	12pt CS		
2.25" x 2.14" / 58.9mm x 55.3mm		ApexCut Coating, Die Cut, 3mm Punch		TC-1

Sort Order: 3.0 Part: 123131 - UPC with RFID label w/o MSRP  
 Instruction:

SKU/Version #	Size	Name	Expiry Date
n/a	123131	PDM_123131_RFID UPC Sticker with MAP for Outlet_20240315	03-15-24



Color:  
 ■ K  
 ■ DIECUT

SKU/Version #	Color	Material	Weight	Notes
Black	123131	White, Die Cut Matrix Sticker Stock		
1.9800" x 1.6160" / 50.8mm x 41.2mm		Diecut, 3mm is Perforated Chop up from bottom 3mm		UPC-5