

Related Styles

Line Slot: Washed Out Short State: Production Season: F25
 Merchandise Division: Sportswear Merchandise Collection: Outdoor Product Class: Woven Short
 Designer: owen.kessel Developer: bellali LO Developer: keerthis Sourcing Manager: melissa.gallagher
 Fit Engineer: alicehan



Design:	S3MS49195	Sample LO:	Production LO:	India			
Style	Material Style	Style Description	Pattern	Base Size	Size Scale	Fit	SMU Type
AE4471	1491957	Washed Out™ Short	M17Z1545	32	28 - 38	Pan-Asian Regular	N/A

Style	Material Style	Style Description	Design	Pattern	Base Size	Size Scale	Sample LO	Production LO
AM4471	1491953	Washed Out™ Short	S3MS49195	M24M8059	32	28 - 44		India
AS4471	1491956	Washed Out™ Short	S3MS49195	M24S8059	44	42 - 54		India

This is confidential and proprietary information of Columbia Sportswear Company. You agree that you will not disclose this information to any third party or use it for any purpose other than on behalf of Columbia. You have no right to use Columbia's name or any of its trademarks, trade names, copyrights, patents, designs or other intellectual property except as set forth in writing by Columbia.

Part Specifications with Approved Suppliers

Line Slot: Washed Out Short State: Production Season: F25
 Merchandise Division: Sportswear Merchandise Collection: Outdoor Product Class: Woven Short
 Designer: owen.kessel Developer: bellali LO Developer: keerthis Sourcing Manager: melissa.gallagher
 Fit Engineer: alicehan



Design: S3MS49195 Sample LO: Production LO: India Vendor Master: INDIA Vendor Master: INDIA
 Style: Material Style: Style Description: Pattern: Base Size: Size Scale: Fit: SMU Type: Production LO: Sourcing LO:
 AE4471 1491957 Washed Out™ Short M17Z1545 32 28 - 38 Pan-Asian Regular N/A

Number	Description	UM	Fiber Content	Fiber Content Back	Material Coating	Material Finish (Face)	Material Laminate	Trim Specific	Supplier Art No	Country of Origin	Standard Cost (FOB)	Purchase Cost (CIF)	Product on Lead Time with Greige	Product on Lead Time without Greige
Fabric														
013283	Poplin 4.26oz/sy	yd	100% Cotton	unassigned	MaterialCoatingNone	Sanded/Peached (technical face)	MaterialLaminateNone							
Sri Krishna Spinning and Weaving Mills Pvt Ltd									013283	India	1.91	0.0	37	60
SHAHI EXPORTS PVT. LTD. WPD-SHIVAMOGGA									013283	India	1.75	0.0	37	55
100267	Pocketing (T/C)	yd	65% Polyester, 35% Cotton	unassigned	unassigned	Mercerized	unassigned							
Manju Exports									100267	India	2.2	0.0	60	60
FGV - Jensmart International Ltd. (JNS)									100267	China	0.85	0.0	30	45
SHAHI EXPORTS PVT. LTD. WPD-SHIVAMOGGA									Supplier name - EN Exports HK Limited. Fabric for internal consumption only	India	1.33	0.95	30	45
FGV - Shahi Exports Pvt. (SEP) Ltd.									Supplier name - EN Exports HK Limited. Fabric for internal consumption only	India	0.79	0.0	30	45
011952	Interlining Non-Woven Fusible Light Weight for Garment Wash	yd	100% Polyester	unassigned	unassigned	unassigned	unassigned							
Freudenberg-Hong Kong									AP48	Taiwan	0.38	0.0	7	14
MaxBond									UD9927	Vietnam	0.33	0.0	10	20
PCC asia LLC									CL700	China	0.37	0.0	14	21
Trim														
098784	28L Debossed Columbia Dark Horn/Light Horn (No DTM) Low profile Plastic Button	ea	100% Polyester	unassigned	unassigned	unassigned	unassigned	Size UM: ligne						
Unitex International Button Accessories Ltd									199-00914-070107	China	0.0311	0.0	35	50

Part Specifications with Approved Suppliers

Line Slot: Washed Out Short		State: Production		Season: F25	
Merchandise Division: Sportswear		Merchandise Collection: Outdoor		Product Class: Woven Short	
Designer: owen.kessel		Developer: bellali		LO Developer: keerthis	
Fit Engineer: alicehan		Sourcing Manager: melissa.gallagher			
Design:	S3MS49195	Sample LO:	Production LO: India	Vendor Master INDIA	Vendor Master INDIA
Style	Material Style	Style Description	Pattern	Base Size	Size Scale
AE4471	1491957	Washed Out™ Short	M17Z1545	32	28 - 38
				Pan-Asian Regular	N/A



Number	Description	UM	Fiber Content	Fiber Content Back	Material Coating	Material Finish (Face)	Material Laminate	Trim Specific	Supplier Art No	Country of Origin	Standard Cost (FOB)	Purchase Cost (CIF)	Product on Lead Time with Greige	Product on Lead Time without Greige
BANGALORE SALES CORPORATION									098784	India	0.0166	0.0	15	25
Gritti Vietnam Co. Ltd.									P.57439	Vietnam	0.0287	0.0	30	30
077256	35mm Gem Columbia Flat Woven Label with starch	ea	100% Recycled Polyester	unassigned	unassigned	unassigned	unassigned	Size UM: mm						
Nexgen Packaging Global									077256	China	0.025	0.0	21	28
Avery Dennison Global									077256	unassigned	0.02532	0.0	30	30
Manohar Filaments									23/11813/16	India	0.0194	0.0	30	30
061708	Coats Astra Tex 40 spun poly for sewing lightweight woven and knits	meter	100% Polyester	unassigned	unassigned	unassigned	unassigned	Size UM: tex						
Coats Global Thread									EV65080	unassigned	0.00043	0.0	0	0
DD - Huamei Thread Company Limited (FNC only)									061708	unassigned	0.004	0.0	0	0
013264	Coats ASTRA Spun Poly Tex 60 for sewing lightweight woven and knits	meter	100% Polyester	unassigned	unassigned	unassigned	unassigned	Size UM: tex						
Coats Global Thread									EV65050	unassigned	0.00052	0.0	0	0
008214	Coats ASTRA Spun Polyester Tex 27 40/2	meter	100% Polyester	unassigned	unassigned	unassigned	unassigned	Size UM: tex						
Coats Global Thread									EV65120	unassigned	0.0003	0.0	0	0
126123	CFC-36 DA E B-E Clsd AutoLk Enml Sldr/PI EnmlBtmStp	ea	unassigned	unassigned	unassigned	unassigned	unassigned	Size UM: ea Length: 4.0						
Ideal Fastener Global									CFC-36 DA E B-E Clsd AutoLk Enml Sldr/PI EnmlBtmStp	unassigned	0.0625	0.0	21	28
YKK Global									TBD	unassigned	0.0451	0.0	35	50
059199	40mm CSC Main /International ECO Size Woven Loop Label 3 clr	ea	100% Recycled Polyester	unassigned	unassigned	unassigned	unassigned	Size UM: mm						
Avery Dennison Global									059199	China	0.04455	0.0	30	30
Dong Young									DY-59199	South Korea	0.052	0.0	25	25
Manohar Filaments									23/11813/5	India	0.0404	0.0	30	30

Color BOM

Line Slot: Washed Out Short	State: Production	Season: F25
Merchandise Division: Sportswear	Merchandise Collection: Outdoor	Product Class: Woven Short
Designer: owen.kessel	Developer: bellali	LO Developer: keerthis
Fit Engineer: alicehan		Sourcing Manager: melissa.gallagher
Design: S3MS49195	Sample LO:	Production LO: India
Style AE4471	Material Style 1491957	Style Description Pattern M17Z1545
	Washed Out™ Short	Base Size 32
		Size Scale 28 - 38
		Fit Pan-Asian Regular
		SMU Type N/A



Component	Details	Placement	Usage	Width	Marker Width	010-Black	022-Grey Ash	161-Fossil	245-CROUTON	455-Vintage Blue
SAP Material Code						149195301 0	149195302 2	149195316 1	149195324 5	149195345 5
						149195701 0	149195702 2	149195716 1	149195724 5	149195745 5
						149195601 0	149195602 2	149195616 1	149195624 5	149195645 5
SMU Accounts						N/A	N/A	N/A	N/A	N/A
Shell 1	013283 Poplin 4.26oz/sy Poplin 100% Cotton 134 X 97 40x40 Sanded/Peached (technical face) MaterialCoatingNone MaterialLaminateNone 146.0 g/m2 Piece Dye/Pad NA		0.713 yd	56.0	55.984	Black	Grey Ash	Fossil	CROUTON	Vintage Blue
Lining 1	100267 Pocketing (T/C) Poplin 65% Polyester, 35% Cotton 110 X 76 45 pc X 45 pc Mercerized 105.0 g/m2 Scouring-Bleaching NA		0.482 yd	56.0	42.992	White	White	White	White	White
Interfacing 1	011952 Interlining Non-Woven Fusible Light Weight for Garment Wash Interlining 100% Polyester 0.0 g/m2		0.128 yd	60.0	35	White	White	White	White	White
Button 1	098784 28L Debossed Columbia Dark Horn/Light Horn (No DTM) Low profile Plastic Button		2 ea	0.0	0	Dark Horn	Dark Horn	Light Horn	Dark Horn	Light Horn
Label Logo 1	077256 35mm Gem Columbia Flat Woven Label with starch		1 ea	0.0	0	Grill, Columbia Grey	Grill, Columbia Grey	Columbia Grey, Grill	Grill, Columbia Grey	Grill, Columbia Grey
Thread 1	061708 Coats Astra Tex 40 spun poly for sewing lightweight woven and knits	Interior Waistband	3 meter	0.0	0	DTM	DTM	DTM	DTM	DTM

Color BOM

Line Slot: Washed Out Short		State: Production		Season: F25	
Merchandise Division: Sportswear		Merchandise Collection: Outdoor		Product Class: Woven Short	
Designer: owen.kessel		Developer: bellali		LO Developer: keerthis	
Fit Engineer: alicehan				Sourcing Manager: melissa.gallagher	
Design:	S3MS49195	Sample LO:		Production LO:	India
Style	Material Style	Style Description	Pattern	Base Size	Size Scale
AE4471	1491957	Washed Out™ Short	M17Z1545	32	28 - 38
				Fit	SMU Type
				Pan-Asian Regular	N/A



Component	Details	Placement	Usage	Width	Marker Width	010-Black	022-Grey Ash	161-Fossil	245-Crouton	455-Vintage Blue
SAP Material Code						149195301 0	149195302 2	149195316 1	149195324 5	149195345 5
						149195701 0	149195702 2	149195716 1	149195724 5	149195745 5
						149195601 0	149195602 2	149195616 1	149195624 5	149195645 5
Thread 2	013264 Coats ASTRA Spun Poly Tex 60 for sewing lightweight woven and knits		26 meter	0.0	0	DTM	DTM	DTM	DTM	DTM
Zipper 1	126123 CFC-36 DA E B-E Clsd AutoLk Enml Sldr/PI EnmlBtmStp Length: 4.0		1 ea	0.0	0	Black	Grey Ash	Fossil	Crouton	Vintage Blue
Label 1	059199 40mm CSC Main /International ECO Size Woven Loop Label 3 clr		1 ea	0.0	0	White, Columbia Grey, Compass Blue	White, Columbia Grey, Compass Blue	White, Columbia Grey, Compass Blue	White, Columbia Grey, Compass Blue	White, Columbia Grey, Compass Blue
Label 2	006564 33mm Care Content ECO Booklet Fold label with fully translated country of origin WHT/BLK for most, BLK/WHT for Titanium only, GRY/BLK is for Garment DYE ONLY- waiting on updated artwork		1 ea	0.0	0	White, Black	White, Black	White, Black	White, Black	White, Black
Hangtag Package Part	097305 Columbia No Tech Hangtag		1 ea	0.0	0	Artwork	Artwork	Artwork	Artwork	Artwork
Hangtag Package Part	121612 MSRP/UPC with RFID Specs for MSRP. Please refer to VAS specs for any exceptions. MSRP required on all product shipping to the US.		1 ea	0.0	0	Artwork	Artwork	Artwork	Artwork	Artwork
Hangtag Package Part	131417 M Shorts Regular Joker		1 ea	0.0	0	Artwork	Artwork	Artwork	Artwork	Artwork
Packaging 1	980001 Polybag See Standard CCS 4200 for specifications		1 ea	0.0	0	Stock	Stock	Stock	Stock	Stock
Packaging 2	980010 UPC Bag Sticker Generic (MHW/Columbia) See CCS4400/ 4401 and MHW4402 for Mt Hardware for instructions		1 ea	0.0	0	Artwork	Artwork	Artwork	Artwork	Artwork

Color BOM

Line Slot: Washed Out Short		State: Production		Season: F25	
Merchandise Division: Sportswear		Merchandise Collection: Outdoor		Product Class: Woven Short	
Designer: owen.kessel		Developer: bellali		LO Developer: keerthis	
Fit Engineer: alicehan		Sourcing Manager: melissa.gallagher			
Design:	S3MS49195	Sample LO:	Production LO: India		
Style	Material Style	Style Description	Pattern	Base Size	Size Scale
AE4471	1491957	Washed Out™ Short	M17Z1545	32	28 - 38
				Fit	SMU Type
				Pan-Asian Regular	N/A



Component	Details	Placement	Usage	Width	Marker Width	010-Black	022-Grey Ash	161-Fossil	245-Crouton	455-Vintage Blue
SAP Material Code						1491953010	1491953022	1491953161	1491953245	1491953455
						1491957010	1491957022	1491957161	1491957245	1491957455
						1491956010	1491956022	1491956161	1491956245	1491956455
Packaging 3	064194 Outer Carton for costing purpose only		1 ea	0.0	0	Stock	Stock	Stock	Stock	Stock

This is confidential and proprietary information of Columbia Sportswear Company. You agree that you will not disclose this information to any third party or use it for any purpose other than on behalf of Columbia. You have no right to use Columbia's name or any of its trademarks, trade names, copyrights, patents, designs or other intellectual property except as set forth in writing by Columbia.

Colorless BOM

Line Slot: Washed Out Short State: Production Season: F25
 Merchandise Division: Sportswear Merchandise Collection: Outdoor Product Class: Woven Short
 Designer: owen.kessel Developer: bellali LO Developer: keerthis Sourcing Manager: melissa.gallagher
 Fit Engineer: alicehan

Design: S3MS49195 Sample LO: Production LO: India

Style	Material Style	Style Description	Pattern	Base Size	Size Scale	Fit	SMU Type
AE4471	1491957	Washed Out™ Short	M17Z1545	32	28 - 38	Pan-Asian Regular	N/A



Component	Details	Placement	Usage	Width	Marker Width
SAP Material Code					
Shell 1	013283 Poplin 4.26oz/sy Poplin 100% Cotton 134 X 97 40x40 Sanded/Peached (technical face) MaterialCoatingNone MaterialLaminateNone 146.0 g/m2 Piece Dye/Pad NA		0.713 yd	56.0	55.984
Lining 1	100267 Pocketing (T/C) Poplin 65% Polyester, 35% Cotton 110 X 76 45 pc X 45 pc Mercerized 105.0 g/m2 Scouring-Bleaching NA		0.482 yd	56.0	42.992
Interfacing 1	011952 Interlining Non-Woven Fusible Light Weight for Garment Wash Interlining 100% Polyester 0.0 g/m2		0.128 yd	60.0	35
Button 1	098784 28L Debossed Columbia Dark Horn/Light Horn (No DTM) Low profile Plastic Button		2 ea	0.0	0
Label Logo 1	077256 35mm Gem Columbia Flat Woven Label with starch		1 ea	0.0	0
Thread 1	061708 Coats Astra Tex 40 spun poly for sewing lightweight woven and knits	Interior Waistband	3 meter	0.0	0
Thread 2	013264 Coats ASTRA Spun Poly Tex 60 for sewing lightweight woven and knits		26 meter	0.0	0
Zipper 1	126123 CFC-36 DA E B-E Clsd AutoLk Enml Slidr/PI EnmlBtmStp Length: 4.0		1 ea	0.0	0
Label 1	059199 40mm CSC Main /International ECO Size Woven Loop Label 3 clr		1 ea	0.0	0
Label 2	006564 33mm Care Content ECO Booklet Fold label with fully translated country of origin WHT/BLK for most, BLK/WHT for Titanium only, GRY/BLK is for Garment DYE ONLY- waiting on updated artwork		1 ea	0.0	0
Hangtag Package Part	097305 Columbia No Tech Hangtag		1 ea	0.0	0
Hangtag Package Part	121612 MSRP/UPC with RFID Specs for MSRP. Please refer to VAS specs for any exceptions. MSRP required on all product shipping to the US.		1 ea	0.0	0
Hangtag Package Part	131417 M Shorts Regular Joker		1 ea	0.0	0
Packaging 1	980001 Polybag See Standard CCS 4200 for specifications		1 ea	0.0	0

Colorless BOM



Line Slot: Washed Out Short State: Production Season: F25
 Merchandise Division: Sportswear Merchandise Collection: Outdoor Product Class: Woven Short
 Designer: owen.kessel Developer: bellali LO Developer: keerthis Sourcing Manager: melissa.gallagher
 Fit Engineer: alicehan
 Design: S3MS49195 Sample LO: Production LO: India
 Style Material Style Style Description Pattern Base Size Size Scale Fit SMU Type
 AE4471 1491957 Washed Out™ Short M17Z1545 32 28 - 38 Pan-Asian Regular N/A

Component	Details	Placement	Usage	Width	Marker Width
SAP Material Code					
Packaging 2	980010 UPC Bag Sticker Generic (MHW/Columbia) See CCS4400/ 4401 and MHW4402 for Mt Hardwear for instructions		1 ea	0.0	0
Packaging 3	064194 Outer Carton for costing purpose only		1 ea	0.0	0

This is confidential and proprietary information of Columbia Sportswear Company. You agree that you will not disclose this information to any third party or use it for any purpose other than on behalf of Columbia. You have no right to use Columbia's name or any of its trademarks, trade names, copyrights, patents, designs or other intellectual property except as set forth in writing by Columbia.

Color Specification

Line Slot: Washed Out Short	State: Production	Season: F25
Merchandise Division: Sportswear	Merchandise Collection: Outdoor	Product Class: Woven Short
Designer: owen.kessel	Developer: bellali	LO Developer: keerthis
Fit Engineer: alicehan		Sourcing Manager: melissa.gallagher
Design: S3MS49195	Sample LO:	Production LO: India
Style AE4471	Material Style 1491957	Style Description Pattern
	Washed Out™ Short	M17Z1545
	Base Size 32	Size Scale 28 - 38
	Fit Pan-Asian Regular	SMU Type N/A



Component - Material	010-Black	022-Grey Ash	161-Fossil	245-Crouton	455-Vintage Blue
Shell 1 - 013283	Black	Grey Ash	Fossil	Crouton	Vintage Blue
Zipper 1 - 126123					
Lining 1 - 100267	White	White	White	White	White
Interfacing 1 - 011952					
Button 1 - 098784	Dark Horn	Dark Horn	Light Horn	Dark Horn	Light Horn
Label Logo 1 - 077256	Grill, Columbia Grey	Grill, Columbia Grey	Columbia Grey, Grill	Grill, Columbia Grey	Grill, Columbia Grey
Thread 1 - 061708					
Thread 2 - 013264	DTM	DTM	DTM	DTM	DTM
Thread 3 - 061708					
Thread 4 - 008214					
Label 1 - 059199	White, Columbia Grey, Compass Blue	White, Columbia Grey, Compass Blue	White, Columbia Grey, Compass Blue	White, Columbia Grey, Compass Blue	White, Columbia Grey, Compass Blue
Label 2 - 006564	White, Black	White, Black	White, Black	White, Black	White, Black
Hangtag Package Part - 097305					
Hangtag Package Part - 121612	Artwork	Artwork	Artwork	Artwork	Artwork
Hangtag Package Part - 131417					
Packaging 2 - 980010					
Packaging 1 - 980001	Stock	Stock	Stock	Stock	Stock
Packaging 3 - 064194					

This is confidential and proprietary information of Columbia Sportswear Company. You agree that you will not disclose this information to any third party or use it for any purpose other than on behalf of Columbia. You have no right to use Columbia's name or any of its trademarks, trade names, copyrights, patents, designs or other intellectual property except as set forth in writing by Columbia.

Costing BOM

Line Slot: Washed Out Short
 Merchandise Division: Sportswear
 Designer: owen.kessel
 Fit Engineer: alicehan

Merchandise Collection: Outdoor
 Developer: bellali

State: Production
 Product Class: Woven Short
 LO Developer: keerthis

Season: F25
 Sourcing Manager: melissa.gallagher



Design:	S3MS49195	Sample LO:		Production LO:	India		
Style	Material Style	Style Description	Pattern	Base Size	Size Scale	Fit	SMU Type
AE4471	1491957	Washed Out™ Short	M17Z1545	32	28 - 38	Pan-Asian Regular	N/A

Colorway Number	Color Way	FOB Material	CIF Material	FOB Trim	CIF Trim	Allowance %	Total FOB	Total CIF
010	Black	2.111	0.499	0.304	0.000	0.0	2.415	0.499
022	Grey Ash	2.111	0.499	0.304	0.000	0.0	2.415	0.499
161	Fossil	2.111	0.499	0.304	0.000	0.0	2.415	0.499
245	Crouton	2.111	0.499	0.304	0.000	0.0	2.415	0.499
455	Vintage Blue	2.111	0.499	0.304	0.000	0.0	2.415	0.499

Costing BOM

Line Slot: Washed Out Short
 Merchandise Division: Sportswear
 Designer: owen.kessel
 Fit Engineer: alicehan

Merchandise Collection: Outdoor
 Developer: bellali

State: Production
 Product Class: Woven Short
 LO Developer: keerthis

Season: F25
 Sourcing Manager: melissa.gallagher



Design: S3MS49195	Sample LO:	Production LO: India
Style AE4471	Material Style 1491957	Style Description Pattern: Washed Out™ Short M17Z1545
		Base Size: 32
		Size Scale: 28 - 38
		Fit: Pan-Asian Regular
		SMU Type: N/A

Component	Material	Description	Fabric Width	Supplier	Locked	Country of Origin	Managin g Liaison Office	UoM	Target Cost	FOB Unit Cost	CIF Unit Cost	Usage	Wastage %	Total FOB	Total CIF
Shell 1	013283	Poplin 4.26oz/sy	56.0	SHAHI EXPORT S PVT. LTD. WPD-SHIVAM OGGA	N	India	India	yd	1.9	1.75	0.0	0.713	9	1.360	0.000
Lining 1	100267	Pocketing (T/C)	56.0	SHAHI EXPORT S PVT. LTD. WPD-SHIVAM OGGA	Y	India	India	yd	0.0	1.33	0.95	0.482	9	0.699	0.499
Interfacing 1	011952	Interlining Non-Woven Fusible Light Weight for Garment Wash	60.0	PCC asia LLC	Y	China	India	yd	0.0	0.37	0.0	0.128	9	0.052	0.000

Costing BOM

Line Slot: Washed Out Short
 Merchandise Division: Sportswear
 Designer: owen.kessel
 Fit Engineer: alicehan

Merchandise Collection: Outdoor
 Developer: bellali

State: Production
 Product Class: Woven Short
 LO Developer: keerthis

Season: F25
 Sourcing Manager: melissa.gallagher



Design: S3MS49195	Sample LO:	Production LO: India	
Style AE4471	Material Style 1491957	Style Description Pattern Washed Out™ Short	M17Z1545
		Base Size 32	Size Scale 28 - 38
		Fit Pan-Asian Regular	SMU Type N/A

Component	Material	Description	Fabric Width	Supplier	Locked	Country of Origin	Managin g Liaison Office	UoM	Target Cost	FOB Unit Cost	CIF Unit Cost	Usage	Wastage %	Total FOB	Total CIF
Button 1	098784	28L Debossed Columbia Dark Horn/Light Horn (No DTM) Low profile Plastic Button	0.0	BANGAL ORE SALES CORPORATION	N	India	India	ea	0.0	0.0166	0.0	2.000	2.0	0.034	0.000
Label Logo 1	077256	35mm Gem Columbia Flat Woven Label with starch	0.0	Manohar Filaments	Y	India	India	ea	0.0	0.0194	0.0	1.000	3.0	0.020	0.000
Thread 1	061708	Coats Astra Tex 40 spun poly for sewing lightweight woven and knits	0.0	Coats Global Thread	N	unassigne d	Portland	meter	0.0	0.00043	0.0	3.000	5.0	0.001	0.000
Thread 2	013264	Coats ASTRA Spun Poly Tex 60 for sewing lightweight woven and knits	0.0	Coats Global Thread	N	unassigne d	Portland	meter	0.0	0.00052	0.0	26.000	5.0	0.014	0.000

Costing BOM

Line Slot: Washed Out Short
 Merchandise Division: Sportswear
 Designer: owen.kessel
 Fit Engineer: alicehan

Merchandise Collection: Outdoor
 Developer: bellali

State: Production
 Product Class: Woven Short
 LO Developer: keerthis

Season: F25
 Sourcing Manager: melissa.gallagher



Design: S3MS49195
 Style: AE4471
 Material Style: 1491957

Sample LO:
 Style Description: Washed Out™ Short
 Pattern: M17Z1545

Production LO: India
 Base Size: 32
 Size Scale: 28 - 38

Fit: Pan-Asian Regular
 SMU Type: N/A

Component	Material	Description	Fabric Width	Supplier	Locked	Country of Origin	Managing Liaison Office	UoM	Target Cost	FOB Unit Cost	CIF Unit Cost	Usage	Wastage %	Total FOB	Total CIF
Zipper 1	126123	CFC-36 DA E B-E Clsd AutoLk Enml Sldr/PI EnmlBtmStp	0.0	Ideal Fastener Global	N	unassigned	Portland	ea	0.0	0.0625	0.0	1.000	1.0	0.065	0.000
Label 1	059199	40mm CSC Main /International ECO Size Woven Loop Label 3 clr	0.0	Manohar Filaments	Y	India	India	ea	0.0	0.0404	0.0	1.000	3.0	0.042	0.000
Label 2	006564	33mm Care Content ECO Booklet Fold label with fully translated country of origin WHT/BLK for most, BLK/WHT for Titanium only, GRY/BLK is for Garment DYE ONLY- waiting on updated artwork	0.0	Avery Dennison Global	N	China	Portland	ea	0.0	0.016	0.0	1.000	3.0	0.016	0.000

Costing BOM

Line Slot: Washed Out Short
 Merchandise Division: Sportswear
 Designer: owen.kessel
 Fit Engineer: alicehan

Merchandise Collection: Outdoor
 Developer: bellali

State: Production
 Product Class: Woven Short
 LO Developer: keerthis

Season: F25
 Sourcing Manager: melissa.gallagher



Design: S3MS49195	Sample LO:	Production LO: India	
Style AE4471	Material Style 1491957	Style Description Pattern Washed Out™ Short	M17Z1545
		Base Size 32	Size Scale 28 - 38
		Fit Pan-Asian Regular	SMU Type N/A

Component	Material	Description	Fabric Width	Supplier	Locked	Country of Origin	Managing Liaison Office	UoM	Target Cost	FOB Unit Cost	CIF Unit Cost	Usage	Wastage %	Total FOB	Total CIF
Hangtag Package Part	097305	Columbia No Tech Hangtag	0.0	Bao Shen (Apparel)	N	Vietnam	Portland	ea	0.0	0.014	0.0	1.000	3.0	0.014	0.000
Hangtag Package Part	121612	MSRP/UPC with RFID Specs for MSRP. Please refer to VAS specs for any exceptions. MSRP required on all product shipping to the US.	0.0	Avery Dennison Global	N	unassigned	Portland	ea	0.0	0.04875	0.0	1.000	5.0	0.051	0.000
Hangtag Package Part	131417	M Shorts Regular Joker	0.0	Hang Sang Press Co. Ltd	N	unassigned	Portland	ea	0.0	0.036	0.0	1.000	0.0	0.036	0.000
Packaging 1	980001	Polybag See Standard CCS 4200 for specifications	0.0	Contractor	N	unassigned	Hong Kong	ea	0.0	0.0	0.0	1.000	3.0	0.000	0.000

Costing BOM

Line Slot: Washed Out Short

State: Production

Season: F25

Merchandise Division: Sportswear

Merchandise Collection: Outdoor

Product Class: Woven Short

Designer: owen.kessel

Developer: bellali

LO Developer: keerthis

Sourcing Manager: melissa.gallagher

Fit Engineer: alicehan



Design: S3MS49195

Sample LO:

Production LO: India

Style Material Style

Style Description Pattern

Base Size Size Scale

Fit SMU Type

AE4471

1491957

Washed Out™ Short
M17Z1545

32

28 - 38

Pan-Asian Regular N/A

Component	Material	Description	Fabric Width	Supplier	Locked	Country of Origin	Managing Liaison Office	UoM	Target Cost	FOB Unit Cost	CIF Unit Cost	Usage	Wastage %	Total FOB	Total CIF
Packaging 2	980010	UPC Bag Sticker Generic (MHW/Columbia) See CCS4400/ 4401 and MHW4402 for Mt Hardware for instructions	0.0	Avery Dennison Global	Y	China	Portland	ea	0.0	0.01089	0.0	1.000	5.0	0.011	0.000
Packaging 3	064194	Outer Carton for costing purpose only	0.0	Contractor	N	unassigned	Hong Kong	ea	0.0	0.0	0.0	1.000	3.0	0.000	0.000

Costing BOM

Line Slot: Washed Out Short	State: Production	Season: F25					
Merchandise Division: Sportswear	Merchandise Collection: Outdoor	Product Class: Woven Short					
Designer: owen.kessel	Developer: bellali	LO Developer: keerthis					
Fit Engineer: alicehan		Sourcing Manager: melissa.gallagher					
Design: S3MS49195	Sample LO:	Production LO: India					
Style Material Style	Style Description	Pattern	Base Size	Size Scale	Fit	SMU Type	
AE4471	1491957	Washed Out™ Short	M17Z1545	32	28 - 38	Pan-Asian Regular	N/A



This is confidential and proprietary information of Columbia Sportswear Company. You agree that you will not disclose this information to any third party or use it for any purpose other than on behalf of Columbia. You have no right to use Columbia's name or any of its trademarks, trade names, copyrights, patents, designs or other intellectual property except as set forth in writing by Columbia.

Care Report

Line Slot: Washed Out Short		State: Production		Season: F25	
Merchandise Division: Sportswear		Merchandise Collection: Outdoor		Product Class: Woven Short	
Designer: owen.kessel		Developer: bellali		LO Developer: keerthis	
Fit Engineer: alicehan				Sourcing Manager: melissa.gallagher	
Design:	S3MS49195	Sample LO:		Production LO:	India
Style	Material Style	Style Description	Pattern	Base Size	Size Scale
AE4471	1491957	Washed Out™ Short	M17Z1545	32	28 - 38
				Fit	SMU Type
				Pan-Asian Regular	N/A



Care Code: 1080		Color Way Number	Color Way Name
English	Machine Wash Cold Gentle, With Like Colors, Non-Chlorine Bleach When Needed, Tumble Dry Low, Remove Promptly, Iron Medium, If Present Do Not Iron Decal, Drycleanable	010	Black
French	Lavage machine à froid, Cycle délicat, Avec des couleurs similaires, Blanchir sans chlore si besoin, Séchage machine, basse température, Sortir immédiatement de la machine, Repasser à température moyenne, Le cas échéant, ne pas repasser la décalcomanie, Nettoyable à sec	022	Grey Ash
German	Schonwaschgang mit kaltem Wasser, Mit gleichen Farben, Nach Bedarf chlorfreies Bleichmittel verwenden, Trocknen im Wäschetrockner bei niedriger Temperatur, Sofort aus dem Trockner nehmen, Bügeln mit mittlerer Temperatur, Falls vorhanden, Dekorbild nicht bügeln, Reinigungsfähig	161	Fossil
Portuguese	Lavar à maquina com água fria, ciclo para roupas delicadas, Com cores similares, Alvejar sem cloro quando necessário, Secar à máquina em temperatura baixa, Remover prontamente, Passar a ferro em temperatura média, Se presente, não passar o ferro sobre o decalque, Lavável a seco	245	Crouton
Spanish	Lavar a maquina con agua fría, en ciclo delicado, Lavar con colores similares, Use lejía sin cloro cuando sea necesario, Usar secadora a temperatura baja, Retirar inmediatamente, Planchar a temperatura media, En su caso, no planche la pegatina, Lavable en seco	455	Vintage Blue
Italian	Lavare in lavatrice in acqua fredda, ciclo delicato, Con colori simili, Solo candeggina senza cloro se necessario, Asciugare a tamburo a bassa temperatura, Rimuovere tempestivamente, Stirare con ferro a temperatura media, Se presente, non stirare la decalcomania, Lavabile a secco		
Russian	Щадящая машинная стирка в холодной воде, Стирать с изделиями подобного цвета, Отбеливать без хлора, Сушить при низкой температуре, Сразу убрать из сушилки, Гладить при средней температуре, Если есть, не гладить наклейки и роспись на текстиле, Химчистка допускается		
Czech Republican	Praní v pračce při nízké teplotě, jemný cyklus, S podobnými barvami, V případě potřeby bělit bez chlóru, Sušení v sušičce, nízká teplota, Ihned odepnout, Žehlení při střední teplotě, Nežehlit obtisky, jsou-li přítomny, Vhodné k chemickému čištění		
Hebrew	כביסה במכונה במים קרים, כביסה עדינה, עם צבעים דומים, מלבין ללא כלור, בעת הצורך, לייבש במייבש כביסה בחום נמוך, להסיר מיד, לגהץ בחום בינוני, אם ישנה, לא לגהץ את מדבקת הדקאל, ניתן לנקות בניקוי יבש		
Hungarian	Géppel mossa, hideg vízzel, kímélő programmal, Hasonló színűekkel, Szükség esetén klórmentes fehérítőt használjon, Szárítógépben alacsony hőfokon szárítsa, Mosás után azonnal vegye ki a gépből, Közepes hőfokon vasalja, Ha van az anyagon matrica, azt ne vasalja, Vegytisztítható		
Polish	Prać w temperaturze nie przekraczającej 30°C, cykl delikatny, Prać z podobnymi kolorami, Wybielać niechlorowym wybielaczem w razie potrzeby, Można suszyć bębnowo, niska temperatura, Natychmiast usunąć, Prasować w temperaturze do 150°C, Nie prasować ozdób, jeśli są obecne, Można czyścić chemicznie		
Portuguese Brazil	Lavar à maquina com água fria, ciclo para roupas delicadas, Com cores similares, Alvejar sem cloro quando necessário, Secar em tambor rotativo em temperatura baixa, Remover prontamente, Passar a ferro em temperatura média, Se presente, não passar o ferro sobre o decalque, Lavável a seco		
Slovakian	Perte v pračce v studenej vode, šetriaci program, Spolu len podobné farby, V prípade potreby použite odfarbovací prostriedok bez obsahu chlóru, Sušte v bubnovej sušičke pri nízkych otáčkach, Okamžite odstráňte, Žehlite mierne teplou žehličkou, Ak má štítok, nežehlite ho, Môže sa čistiť chemicky		
Slovenian	Nežno mrzlo strojno pranje, Z podobnimi barvami, Belite brez klora po potrebi, Nizko strojno sušenje, Odstraniti takoj, Srednje likanje, Če obstaja, ne likati nalepk, Za suho čiščenje		
Spanish Latin American	Lavar a maquina con agua fría, en ciclo delicado, Lavar con colores similares, Usar blanqueador sin cloro cuando sea necesario, Usar secadora a temperatura baja, Retirar inmediatamente, Planchar a temperatura media, En su caso, no planche el diseño impreso, Lavable en seco		
Turkish	Makinada Yıkandır, Soğuk, Narin Program, Aynı Renklerle Yıkayın, Gerekirse Klor İçermeyen Ağartıcı Kullanın, Tambur Kurutma, Düşük, Hemen Çıkarın, Orta Isıda Ütöleyin, Varsa Çıkartmayı Ütölemeyin, Kuru Temizleme Yapılır		
Chinese Simplified	冷水慢循环机洗, 可与相近色同洗, 在必要时进行非氯漂白, 低温滚筒烘干, 及时拆除, 中温熨烫, 如有, 请勿熨烫贴花, 可干洗		

Content Report

Line Slot: Washed Out Short	State: Production	Season: F25				
Merchandise Division: Sportswear	Merchandise Collection: Outdoor	Product Class: Woven Short				
Designer: owen.kessel	Developer: bellali	LO Developer: keerthis				
Fit Engineer: alicehan		Sourcing Manager: melissa.gallagher				
Design: S3MS49195	Sample LO:	Production LO: India				
Style AE4471	Material Style 1491957	Style Description Pattern M17Z1545	Base Size 32	Size Scale 28 - 38	Fit Pan-Asian Regular	SMU Type N/A



CONTENT CODE: ACP			Color Way Number	Color Way Name
Shell: 100% Cotton Exclusive of Trimming				
FRENCH	Extérieur:	100% Coton Sauf les bordures	010	Black
GERMAN	Außenhülle:	100% Baumwolle Ohne Besatz	022	Grey Ash
PORTUGUESE	Exterior:	100% Algodão Sem orlas	161	Fossil
SPANISH	Cubierta:	100% Algodón Exclusivo de los ribetes	245	Crouton
ITALIAN	Guscio esterno:	100% Cotone Ad eccezione dei bordini	455	Vintage Blue
RUSSIAN	Оболочка:	100% Хлопок Без дополнительных деталей		
CZECH REPUBLICAN	Skořepina:	100% Bavlna Bez nášivek		
HEBREW		מעטפת חיצונית: 100% כותנה ללא קישוט		
HUNGARIAN	Külső:	100% Pamut Szegélydíszén kívül		
POLISH	Powłoka:	100% Bawełna Wyłączając naszywki		
PORTUGUESE BRAZIL	Exterior:	100% Algodão Sem adornos		
SLOVAKIAN	Plášť:	100% Bavlna Okrem lemovania		
SLOVENIAN	Lupina:	100% Bombaž Brez obrezovanja		
SPANISH LATIN AMERICAN	Cubierta:	100% Algodón Exclusivo de los ribetes		
TURKISH	Kabuk:	100% Pamuk Süsler Hariç		
CHINESE SIMPLIFIED	外壳:	100% 棉 不包括装饰品		
CHINESE TRADITIONAL	外殼:	100% 棉 不包括裝飾品		
JAPANESE	シェル:	100% 綿 裝飾品を除く		
KOREAN	:	100%		
DANISH	Skal:	100% Bomuld Inkluderer ikke kant		
NORWEGIAN	Skall:	100% Bomull Eksklusiv trimming		
SWEDISH	Ytterdel:	100% Bomull Utan trimming		
DUTCH	Schelp:	100% Katoen Exclusief trimmen		
FRENCH CANADIAN	Extérieur:	100% Coton Exclut les bordures		

Pattern Piece Detail

Line Slot: Washed Out Short State: Production Season: F25
 Merchandise Division: Sportswear Merchandise Collection: Outdoor Product Class: Woven Short
 Designer: owen.kessel Developer: bellali LO Developer: keerthis Sourcing Manager: melissa.gallagher
 Fit Engineer: alicehan

Design: S3MS49195 Sample LO: Production LO: India

Style	Material Style	Style Description	Pattern	Base Size	Size Scale	Fit	SMU Type
AE4471	1491957	Washed Out™ Short	M17Z1545	32	28 - 38	Pan-Asian Regular	N/A



M17Z1545 - AE4471

Component	Quantity	Long Description	Abbreviation	Code
Shell 1	2	BACK POCKET FACING	BKPKTFC	70056
Shell 1	2	BACK WELT	BKWLT	70026
Shell 1	2	FRONT POCKET FACING	FTPKTFC	70055
Shell 1	1	LEFT BACK	LTBK	24001
Shell 1	1	LEFT FLY	LTFLY	06002
Shell 1	1	LEFT FRONT	LTFT	14001
Shell 1	1	LOOP	LP	03001
Shell 1	1	RIGHT BACK	RTBK	26001
Shell 1	1	RIGHT FLY	RTFLY	06003
Shell 1	1	RIGHT FRONT	RTFT	16001
Shell 1	1	TOP WAISTBAND	TPWBND	01052
Lining 1	2	BACK POCKET	BKPKT	70007
Lining 1	1	INNER COIN POCKET	INRCONPKT	70015
Lining 1	1	LEFT FRONT POCKET	LTFTPKT	74003
Lining 1	1	RIGHT FRONT POCKET	RTFTPKT	76003
Lining 2	1	UNDER WAISTBAND	UNWBND	01053
Interfacing 1	2	BACK WELT	BKWLT	70026
Interfacing 1	1	LEFT FLY	LTFLY	06002
Interfacing 1	1	TOP WAISTBAND	TPWBND	01052

This is confidential and proprietary information of Columbia Sportswear Company. You agree that you will not disclose this information to any third party or use it for any purpose other than on behalf of Columbia. You have no right to use Columbia's name or any of its trademarks, trade names, copyrights, patents, designs or other intellectual property except as set forth in writing by Columbia.

Measurements

Line Slot: Washed Out Short
 Merchandise Division: Sportswear
 Designer: owen.kessel
 Fit Engineer: alicehan

Merchandise Collection: Outdoor
 Developer: bellali

State: Production
 Product Class: Woven Short
 LO Developer: keerthis

Season: F25
 Sourcing Manager: melissa.gallagher



Design: S3MS49195	Sample LO:	Production LO: India	
Style AE4471	Material Style 1491957	Style Description: Washed Out™ Short	Pattern: M17Z1545
		Base Size: 32	Size Scale: 28 - 38
		Fit: Pan-Asian Regular	SMU Type: N/A

Sort Order	Use	Type	Placemen t	(+/-)	28	30	32	34	36	38	
Grade Rule: Pan Asian M's SW Bottoms - 32 (F13) - NT - Block: null											
355.1	WAIST AT TOP	QC	Graded		0.0	28.5	30.5	32.5	34.5	36.5	38.5
355.3	WAIST AT BOTTOM	QC	Graded		0.0	30.0	32.0	34.0	36.0	38.0	40.0
518.0	WAISTBAND HEIGHT		Graded		0.0	1.5	1.5	1.5	1.5	1.5	1.5
526.0	HIP WIDTH	QC	Graded		0.0	37.0	39.0	41.0	43.0	44.75	46.5
534.0	HIP POSITION AT SIDE SEAM (incl W/B)	QC	Graded		0.0	7.25	7.5	7.75	8.0	8.25	8.5
535.0	HIP POSITION AT FRONT RISE (incl W/B)	QC	Graded		0.0	6.75	7.0	7.25	7.5	7.75	8.0
544.0	FRONT RISE (incl w/b)	QC	Graded		0.0	11.125	11.5	11.875	12.375	12.875	13.375
552.0	BACK RISE (incl w/b)	QC	Graded		0.0	14.625	15.0	15.375	15.875	16.375	16.875
558.0	THIGH (1 inch below crotch)	QC	Graded		0.0	23.0	24.25	25.5	26.75	28.0	29.25
593.0	SHORT INSEAM	QC	Graded		0.0	8.0	8.0	8.0	8.0	8.0	8.0
643.0	SHORT LEG OPENING	QC	Graded		0.0	20.25	21.125	22.0	22.875	23.75	24.625
4180.0	BELT LOOP LENGTH		Graded		0.0	2.5	2.5	2.5	2.5	2.5	2.5
4181.0	BELT LOOP WIDTH		Graded		0.0	0.75	0.75	0.75	0.75	0.75	0.75
4182.0	BELT LOOP TOTAL QUANTITY		Varies By Style		0.125	5.0	5.0	5.0	5.0	5.0	5.0
5851.0	SHORT OUTSEAM LENGTH - with waistband - graded	QC	Varies By Style		0.375	19.375	19.625	20.0	20.5	20.875	21.375
6610.0	FRONT POCKET OPENING - horizontal from side seam - along waist seam or waist stitching		Varies By Style		0.125	2.0	2.0	2.0	2.0	2.0	2.0

Measurements

Line Slot: Washed Out Short		State: Production		Season: F25	
Merchandise Division: Sportswear	Merchandise Collection: Outdoor	Product Class: Woven Short		Sourcing Manager: melissa.gallagher	
Designer: owen.kessel	Developer: bellali	LO Developer: keerthis			
Fit Engineer: alicehan					
Design:	S3MS49195	Sample LO:	Production LO:	India	
Style	Material Style	Style Description	Pattern	Base Size	Size Scale
AE4471	1491957	Washed Out™ Short	M17Z1545	32	28 - 38
				Fit	SMU Type
				Pan-Asian Regular	N/A



Sort Order		Use	Type	Placemen t	(+/-)	28	30	32	34	36	38
6611.0	FRONT POCKET OPENING - vertical from waist seam or waist stitching		Varies By Style		0.125	6.5	7.0	7.0	7.0	7.5	7.5
6720.0	BACK POCKET OPENING		Varies By Style		0.125	5.0	5.5	5.5	5.5	6.0	6.0
3670.0	Zipper 1		Component		0.0	4.0	4.5	4.5	5.0	5.0	5.5

This is confidential and proprietary information of Columbia Sportswear Company. You agree that you will not disclose this information to any third party or use it for any purpose other than on behalf of Columbia. You have no right to use Columbia's name or any of its trademarks, trade names, copyrights, patents, designs or other intellectual property except as set forth in writing by Columbia.

Thumbnail

Line Slot: Washed Out Short

Merchandise Division: Sportswear

Designer: owen.kessel

Fit Engineer: alicehan

Merchandise Collection: Outdoor

Developer: bellali

State: Production

Product Class: Woven Short

LO Developer: keerthis

Season: F25

Sourcing Manager: melissa.gallagher

Design: S3MS49195

Style Material Style

AE4471 1491957

Sample LO:

Style Description Pattern

Washed Out™ M17Z1545
Short

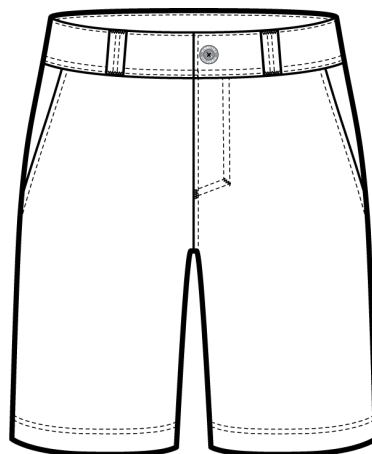
Production LO: India

Base Size Size Scale

32 28 - 38

Fit SMU Type

Pan-Asian Regular N/A



This is confidential and proprietary information of Columbia Sportswear Company. You agree that you will not disclose this information to any third party or use it for any purpose other than on behalf of Columbia. You have no right to use Columbia's name or any of its trademarks, trade names, copyrights, patents, designs or other intellectual property except as set forth in writing by Columbia.

Technical

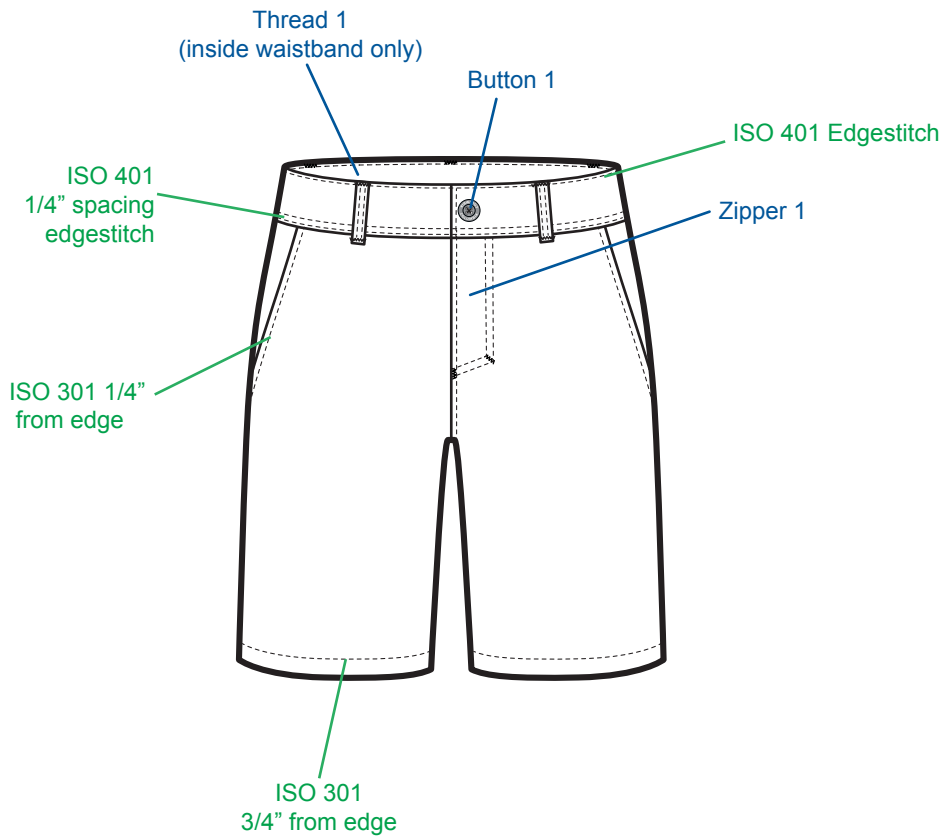
Line Slot: Washed Out Short		State: Production		Season: F25			
Merchandise Division: Sportswear		Merchandise Collection: Outdoor		Product Class: Woven Short			
Designer: owen.kessel		Developer: bellali		LO Developer: keerthis			
Fit Engineer: alicehan				Sourcing Manager: melissa.gallagher			
Design:	S3MS49195	Sample LO:	Production LO:	India			
Style	Material Style	Style Description	Pattern	Base Size	Size Scale	Fit	SMU Type
AE4471	1491957	Washed Out™ Short	M17Z1545	32	28 - 38	Pan-Asian Regular	N/A



Last Updated: 1.24.23 CW

Thread 2: All stitching unless noted
 Interfacing 1: Front Fly, Waistband, back welt
 Label 1-2: Follow CSC Brand Placement Manual
 Lining 1: Pocket bags

ISO 301 edgestitch:
 All topstitching unless noted

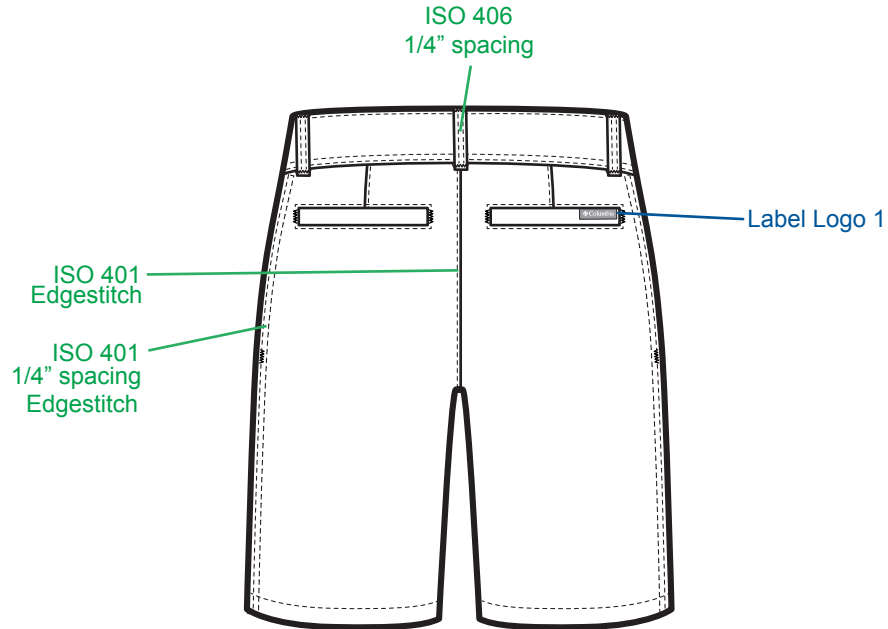


/Volumes/Sportswear/2024 SPRING/MENS/ODL/Carryovers/49195_Washed_Out_Short

Technical

Line Slot: Washed Out Short State: Production Season: F25
 Merchandise Division: Sportswear Merchandise Collection: Outdoor Product Class: Woven Short
 Designer: owen.kessel Developer: bellali LO Developer: keerthis Sourcing Manager: melissa.gallagher
 Fit Engineer: alicehan

Design:	S3MS49195	Sample LO:	Production LO:	India			
Style	Material Style	Style Description	Pattern	Base Size	Size Scale	Fit	SMU Type
AE4471	1491957	Washed Out™ Short	M17Z1545	32	28 - 38	Pan-Asian Regular	N/A

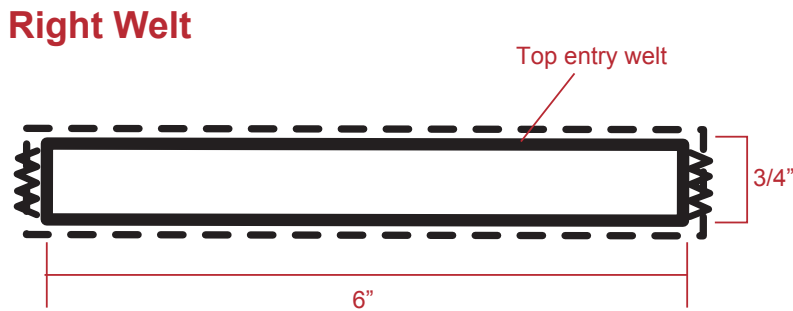
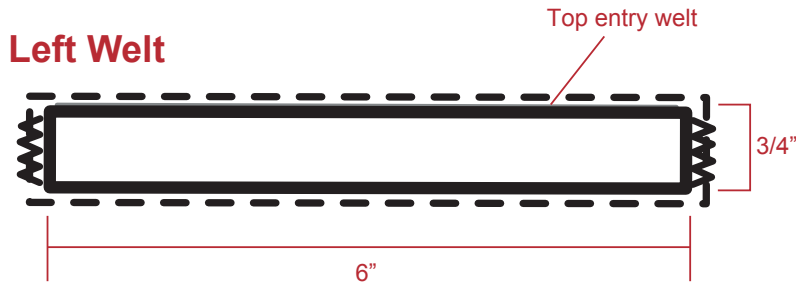


This is confidential and proprietary information of Columbia Sportswear Company. You agree that you will not disclose this information to any third party or use it for any purpose other than on behalf of Columbia. You have no right to use Columbia's name or any of its trademarks, trade names, copyrights, patents, designs or other intellectual property except as set forth in writing by Columbia.

Detail Sketch

Line Slot: Washed Out Short		State: Production	Season: F25
Merchandise Division: Sportswear	Merchandise Collection: Outdoor	Product Class: Woven Short	
Designer: owen.kessel	Developer: bellali	LO Developer: keerthis	Sourcing Manager: melissa.gallagher
Fit Engineer: alicehan			

Design: S3MS49195	Sample LO:	Production LO:	India
Style AE4471	Material Style 1491957	Style Description Washed Out™ Short	Pattern M17Z1545
		Base Size 32	Size Scale 28 - 38
		Fit Pan-Asian Regular	SMU Type N/A



This is confidential and proprietary information of Columbia Sportswear Company. You agree that you will not disclose this information to any third party or use it for any purpose other than on behalf of Columbia. You have no right to use Columbia's name or any of its trademarks, trade names, copyrights, patents, designs or other intellectual property except as set forth in writing by Columbia.

Hangtag Package Report

Apparel Style: AE4471

Season: F25

Brand: Columbia

Merchandise Category: Sportswear

Merchandiser: Lee.Braxton

Line Slot: Washed Out Short

Sort Order: 1.0 Part: 097305 - Columbia No Tech Hangtag
 Instruction: (FOR BOTTOMS WITH BELT LOOPS) Hangtags are to be placed on one 5" circular swift tack looped thru front belt loop nearest left side seam

SKU/Version #	Size	Name	SV Vendor Code
OP184553	097305	OP184553_097305_TC_Columbia_No Tech	09-26-22

TECH CARD (Front)



TECH CARD (Back)



SKU/Version #	Color	Material	Product ID
Process Blue / Process Blue	32# C2S		TC-1
2.32" x 3.43" / 58.93mm x 88.26mm	Apexx Coating Die Cut 3mm Patch		TC-1

Sort Order: 2.0 Part: 131417 - M Shorts Regular Joker
 Instruction: JOKER (Please place on right back waistband clear of hanger clip)

SKU/Version #	Size	Name	SV Vendor Code
OP1711565	131417	OP1711565_131417_JK_M_Short_Regular	07-12-24

JOKER (Front)



JOKER (Back)



SKU/Version #	Color	Material	Product ID
Black / Process Blue	32# C2S		JK-13
1.70" x 2" / 44.28mm x 50.8mm	Apexx Coating Die Cut Score, Variable Data		JK-13

Sort Order: 9.0 Part: 121612 - MSRP/UPC with RFID Specs for MSRP.
 Please refer to VAS specs for any exceptions. MSRP required on all product shipping to the US.
 Instruction:

