



















**Part Specifications with Approved Suppliers - F4WO212571-1 W Oak Ridge Interchange Jkt-Upd**

Line Slot: Oak Ridge II Interchange Jacket      State: Production      Season: F24  
 Merchandise Division: Outerwear      Merchandise Collection: Trail      Product Class: Interchange Jacket  
 Designer: mmejia      Developer: Katharina.Glink      LO Developer: unassigned      Sourcing Manager: james.burnett  
 Fit Engineer:

Design:	F4WO212539	Sample LO:		Production LO:	India	Vendor Master	INDIA	Vendor Master	INDIA
						Production LO:		Sourcing LO:	
Style	Material Style	Style Description	Pattern	Base Size	Size Scale	Fit		SMU Type	
XL5746	2125391	Oak Ridge™ II Interchange Jacket		unassigned		Regular		Style Add	



This is confidential and proprietary information of Columbia Sportswear Company. You agree that you will not disclose this information to any third party or use it for any purpose other than on behalf of Columbia. You have no right to use Columbia's name or any of its trademarks, trade names, copyrights, patents, designs or other intellectual property except as set forth in writing by Columbia.













### Kit Color Way Summary

Line Slot: Oak Ridge II Interchange Jacket				State: Production		Season: F24		Designer: mmejia	
Style	Style Description	Design	Pattern	Base Size	Size Scale	Fit	SMU Type	Sample LO	Production LO
XL5746	Oak Ridge™ II Interchange Jacket	F4WO212539		unassigned		Regular	Style Add		India
F4WO212572-1	W Oak Ridge Interchange Jkt-Upd	F4WO212572	L22L2074	M	XS - XXL	Regular	N/A		
F4WO212571-1	W Oak Ridge Interchange Jkt-Upd	F4WO212571	L22L2073	M	XS - XXL	Regular	N/A		



Number	Name	SMU Accounts	Sub Color Ways			
010	Black	Retail Branded Stores		F4WO212571	010	Black
				F4WO212572	010	Black
224	Camel Brown	Retail Branded Stores		F4WO212571	224	Camel Brown
				F4WO212572	262	Canoe
278	Dark Stone	Retail Branded Stores		F4WO212571	278	Dark Stone
				F4WO212572	278	Dark Stone
397	Stone Green	Retail Branded Stores		F4WO212572	348	Safari
				F4WO212571	397	Stone Green
466	Nocturnal	Retail Branded Stores		F4WO212571	466	Nocturnal
				F4WO212572	581	Snowdrift
607	Moonvista	Retail Branded Stores		F4WO212571	607	Moonvista
				F4WO212572	609	Fig

This is confidential and proprietary information of Columbia Sportswear Company. You agree that you will not disclose this information to any third party or use it for any purpose other than on behalf of Columbia. You have no right to use Columbia's name or any of its trademarks, trade names, copyrights, patents, designs or other intellectual property except as set forth in writing by Columbia.



Related Styles									
Line Slot: Oak Ridge II Interchange Jacket			State: Production		Season: F24		Designer: mmejia		
Style	Style Description	Design	Pattern	Base Size	Size Scale	Fit	SMU Type	Sample LO	Production LO
XL5746	Oak Ridge™ II Interchange Jacket	F4WO212539		unassigned		Regular	Style Add		India
F4WO212572-1	W Oak Ridge Interchange Jkt-Upd	F4WO212572	L22L2074	M	XS - XXL	Regular	N/A		
F4WO212571-1	W Oak Ridge Interchange Jkt-Upd	F4WO212571	L22L2073	M	XS - XXL	Regular	N/A		



Style	Style Description	Design	Pattern	Base Size	Size Scale	Sample LO	Production LO
XW5746	Oak Ridge™ II Interchange Jacket	F4WO212539		unassigned			India
F4WO212571-2	W Oak Ridge Interchange Jkt-Upd	F4WO212571	L22W2073	1X	1X - 3X		
F4WO212572-2	W Oak Ridge Interchange Jkt-Upd	F4WO212572	L22W2074	1X	1X - 3X		

This is confidential and proprietary information of Columbia Sportswear Company. You agree that you will not disclose this information to any third party or use it for any purpose other than on behalf of Columbia. You have no right to use Columbia's name or any of its trademarks, trade names, copyrights, patents, designs or other intellectual property except as set forth in writing by Columbia.

**Color BOM - F4WO212571-1 W Oak Ridge Interchange Jkt-Upd**

Line Slot: Oak Ridge II Interchange Jacket		State: Production		Season: F24		Designer: mmejia			
Style	Style Description	Design	Pattern	Base Size	Size Scale	Fit	SMU Type	Sample LO	Production LO
XL5746	Oak Ridge™ II Interchange Jacket	F4WO212539		unassigned		Regular	Style Add		India
F4WO212572-1	W Oak Ridge Interchange Jkt-Upd	F4WO212572	L22L2074	M	XS - XXL	Regular	N/A		
F4WO212571-1	W Oak Ridge Interchange Jkt-Upd	F4WO212571	L22L2073	M	XS - XXL	Regular	N/A		



Component	Details	Placement	Usage	Width	Marker Width	010-Black	224-Camel Brown	278-Dark Stone	397-Stone Green	466-Nocturnal
<b>SAP Material Code</b>						2125711010	2125711224	2125712278	2125711397	2125711466
						2125712010	2125712224	2125711278	2125712397	2125712466
<b>SMU Accounts</b>						N/A	N/A	N/A	N/A	N/A
Shell 1	122392 PFC Free Version of 096405 Good Level Mechanical Stretch MP Lam Plain Weave 100% Polyester 100X87 100D/96F X 100D/96F Durable Water Repellent (80/10HL) C0 PFOA/PFOS Free MaterialCoatingNone Adhesive - Dot Matrix, 2 Layer Waterproof Hydrophobic Microporous Polyurethane 130.0 g/m2 Piece Dye/Jet NA		1.97 yd	56.0	0	Black	Camel Brown	Dark Stone	Stone Green	Nocturnal
Lining 1	072367 Windbreaker Dyed Only Plain Weave 100% Polyester 167 X 129 50D/72F X 50D/72F Cire Back - Double MaterialCoatingNone MaterialLaminateNone 70.0 g/m2 Piece Dye/Jet NA		1.45 yd	56.0	0	Black	Camel Brown	Dark Stone	Shark	Collegiate Navy

**Color BOM - F4WO212571-1 W Oak Ridge Interchange Jkt-Upd**

Line Slot: Oak Ridge II Interchange Jacket		State: Production		Season: F24		Designer: mmejia			
Style	Style Description	Design	Pattern	Base Size	Size Scale	Fit	SMU Type	Sample LO	Production LO
XL5746	Oak Ridge™ II Interchange Jacket	F4WO212539		unassigned		Regular	Style Add		India
F4WO212572-1	W Oak Ridge Interchange Jkt-Upd	F4WO212572	L22L2074	M	XS - XXL	Regular	N/A		
F4WO212571-1	W Oak Ridge Interchange Jkt-Upd	F4WO212571	L22L2073	M	XS - XXL	Regular	N/A		



Component	Details	Placement	Usage	Width	Marker Width	010-Black	224-Camel Brown	278-Dark Stone	397-Stone Green	466-Nocturnal
<b>SAP Material Code</b>						2125711010	2125711224	2125712278	2125711397	2125711466
						2125712010	2125712224	2125711278	2125712397	2125712466
Lining 2	004476 FOR POCKETING AND YOUTH STYLES ONLY Chamois Touch Tricot Tricot 100% Polyester 28 Anti-pill (face), Brushed (Tech Face) 80.0 g/m2 Piece Dye/Jet NA		0.29 yd	60.0	0	Black	Camel Brown	Dark Stone	Shark	Collegiate Navy
Lining 3	032201 Abrasion Resist Brushed Tricot Tricot 100% Polyester 28 Durable Water Repellent (80/10HL) C0 PFOA/PFOS Free, Brushed (Tech Face) 215.0 g/m2 Piece Dye/Jet NA		0.03 yd	60.0	0	Black	Camel Brown	Dark Stone	Shark	Collegiate Navy
Interfacing 1	110671 Recycled Interlining Sew-In Non-Woven Lightweight Soft SAME AS VIRGIN VERSION 011958 Interlining 80% Recycled Polyester, 20% Viscose 30.0 g/m2		0.2 yd	39.0	0	White	White	White	White	White
Scrim 1	300119 Scrim 15 g m2 Non Woven 100% Polypropylene 14.0 g/m2		1.55 yd	60.0	0	White	White	White	White	White
Insulation 1	106322 CSM3 Recycled Microtemp 40gsm Non Woven 85% Recycled Polyester, 15% Polyester 40.0 g/m2		1.58 yd	60.0	0	White	White	White	White	White

**Color BOM - F4WO212571-1 W Oak Ridge Interchange Jkt-Upd**

Line Slot: Oak Ridge II Interchange Jacket		State: Production		Season: F24		Designer: mmejia			
Style	Style Description	Design	Pattern	Base Size	Size Scale	Fit	SMU Type	Sample LO	Production LO
XL5746	Oak Ridge™ II Interchange Jacket	F4WO212539		unassigned		Regular	Style Add		India
F4WO212572-1	W Oak Ridge Interchange Jkt-Upd	F4WO212572	L22L2074	M	XS - XXL	Regular	N/A		
F4WO212571-1	W Oak Ridge Interchange Jkt-Upd	F4WO212571	L22L2073	M	XS - XXL	Regular	N/A		



Component	Details	Placement	Usage	Width	Marker Width	010-Black	224-Camel Brown	278-Dark Stone	397-Stone Green	466-Nocturnal
<b>SAP Material Code</b>						212571101 0	212571122 4	212571227 8	212571139 7	212571146 6
						212571201 0	212571222 4	212571127 8	212571239 7	212571246 6
Adhesive 1	053401 Do not use after S25 season use PDM 127440 S25 season forward 2L Seam Seal Tape Bemis ST-503 Clear 20mm 3mil		6 yd	0.75	0	Clear	Clear	Clear	Clear	Clear
Drawcord-Cording-Laces 1	380083 2.5mm OD Stretch Drawcord Polyester/ 1 color Outside Diameter: 2.5	hood opening	0.95 yd	0.0	0	Black	Camel Brown	Dark Stone	Stone Green	Nocturnal
Drawcord-Cording-Laces 2	008166 1.5mm non stretch drawcord w/ticks 2 clr (ECO version use 082935)	zip pullers at CF (1), Hans pkts (2), chest pkt (1)	0.84 yd	0.0	0	Black, Grill	Black, Grill	Grill, Columbia Grey	Black, Grill	Collegiate Navy, Columbia Grey
Eyelets-Grommets 1	077468 3.5mmID metal eyelet W ENAMEL FINISH for metal finish use 056424	chin	6 set	0.0	0	Black	Camel Brown	Dark Stone	Stone Green	Nocturnal
Heat Transfer Glued 1	028904 64mm (B) columbia and Bug Logo heat transfer 1 clr		1 ea	0.0	0	Columbia Grey	Black	Grill	Black	Columbia Grey
Heat Transfer Glued 2	095113 57mm Omni Tech Wordmark (B) Heat Transfer		1 ea	0.0	0	Columbia Grey	Black	Grill	Black	Columbia Grey
Hook 1	460003 3/4in (20mm) Linear Hook/ two side edge 1clr Width: 19.0	cuff tab	0.111 yd	0.0	0	Black	Camel Brown	Dark Stone	Stone Green	Nocturnal
Hook 2	460003 3/4in (20mm) Linear Hook/ two side edge 1clr Width: 19.0		0.056 yd	0.0	0	Black	Camel Brown	Dark Stone	Stone Green	Nocturnal
Label Logo 1	059197 USE ONLY FOR ALL ADULTSIZES AND YOUTH S-XL 42mm x 8mm Lightweight Stripe woven ECO Hanger Loop DOWN 2 clr other colors w Director approval only		1 ea	0.0	0	Columbia Grey, Grill	Columbia Grey, Grill	Columbia Grey, Grill	Columbia Grey, Grill	Columbia Grey, Grill

**Color BOM - F4WO212571-1 W Oak Ridge Interchange Jkt-Upd**

Line Slot: Oak Ridge II Interchange Jacket		State: Production		Season: F24		Designer: mmejia			
Style	Style Description	Design	Pattern	Base Size	Size Scale	Fit	SMU Type	Sample LO	Production LO
XL5746	Oak Ridge™ II Interchange Jacket	F4WO212539		unassigned		Regular	Style Add		India
F4WO212572-1	W Oak Ridge Interchange Jkt-Upd	F4WO212572	L22L2074	M	XS - XXL	Regular	N/A		
F4WO212571-1	W Oak Ridge Interchange Jkt-Upd	F4WO212571	L22L2073	M	XS - XXL	Regular	N/A		



Component	Details	Placement	Usage	Width	Marker Width	010-Black	224-Camel Brown	278-Dark Stone	397-Stone Green	466-Nocturnal
<b>SAP Material Code</b>						2125711010	2125711224	2125712278	2125711397	2125711466
						2125712010	2125712224	2125711278	2125712397	2125712466
Loop 1	460038 3/4in x 3-3/4in Rounded Corner Die Cut Loop 1clr (use w/ 002829) Length: 95.0 Width: 19.0	cuff	2 ea	0.0	0	Black	Camel Brown	Dark Stone	Stone Green	Nocturnal
Loop 2	460004 3/4in (20mm) Linear Loop/two side edge 1clr Width: 19.0		0.088 yd	0.0	0	Black	Camel Brown	Dark Stone	Stone Green	Nocturnal
Snaps 1	480101 16L Metal flat Cap/Skt/Stud/Post prong snap set...For adjustment extra Cap/Socket PDM 019746 For adjustment Stud/post use 114462 1clr finish CAN BE USED FOR YOUTH Outside Diameter: 10.0		3 set	0.0	0	Black Nickel Finish	Black Nickel Finish	Antique Silver Finish	Black Nickel Finish	Black Nickel Finish
Thread 1	060282 Coats Epic Tex 30 thread	Updated on 8/2 based on P2	365 meter	0.0	0	DTM	DTM	DTM	DTM	DTM
Thread 2	008214 Coats ASTRA Spun Polyester Tex 27 40/2	Updated on 8/2 based on P2	296 meter	0.0	0	DTM	DTM	DTM	DTM	DTM
Toggle 1	002544 3.5mm ID Sew-in Friction Cord Stopper (Set of Right / left) 1 clr (due to material content trim cannot be done in clear color) Length: 15.8 Width: 16.5 Depth: 5.4 Inside Diameter: 3.5 Outside Diameter: 7.8	hood opening	1 set	0.0	0	Black	Black	Grill	Black	Collegiate Navy
Washer 1	002614 Plastic Washer (Polyurethane) (use on all Snap Stud and Post or Eyelets if needed) Clear CAN BE USED FOR YOUTH		9 ea	0.0	0	Clear	Clear	Clear	Clear	Clear
Webbing and Tape 1	004611 5/8 in Grosgrain Tape, Poly 1 clr		0.208 yd	0.0	0	Black	Black	Grill	Black	Collegiate Navy

**Color BOM - F4WO212571-1 W Oak Ridge Interchange Jkt-Upd**

Line Slot: Oak Ridge II Interchange Jacket		State: Production		Season: F24		Designer: mmejia			
Style	Style Description	Design	Pattern	Base Size	Size Scale	Fit	SMU Type	Sample LO	Production LO
XL5746	Oak Ridge™ II Interchange Jacket	F4WO212539		unassigned		Regular	Style Add		India
F4WO212572-1	W Oak Ridge Interchange Jkt-Upd	F4WO212572	L22L2074	M	XS - XXL	Regular	N/A		
F4WO212571-1	W Oak Ridge Interchange Jkt-Upd	F4WO212571	L22L2073	M	XS - XXL	Regular	N/A		



Component	Details	Placement	Usage	Width	Marker Width	010-Black	224-Camel Brown	278-Dark Stone	397-Stone Green	466-Nocturnal
<b>SAP Material Code</b>						2125711010	2125711224	2125712278	2125711397	2125711466
						2125712010	2125712224	2125711278	2125712397	2125712466
Webbing and Tape 2	004611 5/8 in Grosgrain Tape, Poly 1 clr		0.16 yd	0.0	0	Black	Black	Grill	Black	Collegiate Navy
Zipper 1	127290 CNFOL-56 DABLH E P-TOP BOSUI REVERSE Open L-in AutoLk Enamel LgHolePI PlasticTopStop BOSUI WtrRep finish RevCoil (PFAS free version of 009136) Length: 8.0	CF - 1	1 ea	0.0	0	Black	Camel Brown	Dark Stone	Stone Green	Nocturnal
Zipper 2	126820 CFC-36 DABLH6 EF T-B-0 REVERSE Clsd AutoLk LargeHole MatteEnml Sldr/PI NoStps RevCoil metal content Length: 4.0	hand zips - 2	2 ea	0.0	0	Black	Camel Brown	Dark Stone	Stone Green	Nocturnal
Zipper 3	126909 Clsd AutoLk Large Hole PI Enml Sldr/PI Bosui WtrRep Tape NoStps RevCoil Metal content CNFC-56 DABLH E WATER-J T-B-0 REVERSE Length: 4.0	chest zip - 1	1 ea	0.0	0	Black	Camel Brown	Dark Stone	Stone Green	Nocturnal
Zipper 4	126945 VSOR-56 DA E OpenEnd Right -in AutoLock Enml Sldr/PI Same as Ideal 015802 Length: 8.0	IC Zip - 1	1 ea	0.0	0	Black	Camel Brown	Dark Stone	Stone Green	Nocturnal
Label 1	059203 62.5mm "B size" CSC End Fold Woven Label		1 ea	0.0	0	White, Columbia Grey, Compass Blue	White, Columbia Grey, Compass Blue	White, Columbia Grey, Compass Blue	White, Columbia Grey, Compass Blue	White, Columbia Grey, Compass Blue
Label 2	060471 32mm Interchange ECO Woven Size Label w/ Gem Logo		1 ea	0.0	0	White, Columbia Grey, Compass Blue	White, Columbia Grey, Compass Blue	White, Columbia Grey, Compass Blue	White, Columbia Grey, Compass Blue	White, Columbia Grey, Compass Blue

**Color BOM - F4WO212571-1 W Oak Ridge Interchange Jkt-Upd**

Line Slot: Oak Ridge II Interchange Jacket		State: Production		Season: F24		Designer: mmejia			
Style	Style Description	Design	Pattern	Base Size	Size Scale	Fit	SMU Type	Sample LO	Production LO
XL5746	Oak Ridge™ II Interchange Jacket	F4WO212539		unassigned		Regular	Style Add		India
F4WO212572-1	W Oak Ridge Interchange Jkt-Upd	F4WO212572	L22L2074	M	XS - XXL	Regular	N/A		
F4WO212571-1	W Oak Ridge Interchange Jkt-Upd	F4WO212571	L22L2073	M	XS - XXL	Regular	N/A		



Component	Details	Placement	Usage	Width	Marker Width	010-Black	224-Camel Brown	278-Dark Stone	397-Stone Green	466-Nocturnal
<b>SAP Material Code</b>						2125711010	2125711224	2125712278	2125711397	2125711466
						2125712010	2125712224	2125711278	2125712397	2125712466
Label 3	067533 33mm Patent Care Content like 006564 ECO Booklet Fold label COO / wht/blk and Blk/White		1 ea	0.0	0	White, Black	White, Black	White, Black	White, Black	White, Black
Hangtag Package Part	097129 Columbia Omni-Heat Reflective, Omni-Tech, Interchange Compatible Hangtag		1 ea	0.0	0	Artwork	Artwork	Artwork	Artwork	Artwork
Hangtag Package Part	126967 Regular Fit Swing Tag		1 ea	0.0	0	Artwork	Artwork	Artwork	Artwork	Artwork
Hangtag Package Part	121612 MSRP/UPC with RFID Specs for MSRP. Please refer to VAS specs for any exceptions. MSRP required on all product shipping to the US.		1 ea	0.0	0	Artwork	Artwork	Artwork	Artwork	Artwork
Packaging 1	980001 Polybag See Standard CCS 4200 for specifications		1 ea	0.0	0	Stock	Stock	Stock	Stock	Stock
Packaging 2	980010 UPC Bag Sticker Generic (MHW/Columbia) See CCS4400/ 4401 and MHW4402 for Mt Hardwear for instructions		1 ea	0.0	0	Artwork	Artwork	Artwork	Artwork	Artwork
Packaging 3	064194 Outer Carton for costing purpose only		1 ea	0.0	0	Stock	Stock	Stock	Stock	Stock

**Color BOM - F4WO212571-1 W Oak Ridge Interchange Jkt-Upd**

Line Slot: Oak Ridge II Interchange Jacket		State: Production		Season: F24		Designer: mmejia			
Style	Style Description	Design	Pattern	Base Size	Size Scale	Fit	SMU Type	Sample LO	Production LO
XL5746	Oak Ridge™ II Interchange Jacket	F4WO212539		unassigned		Regular	Style Add		India
F4WO212572-1	W Oak Ridge Interchange Jkt-Upd	F4WO212572	L22L2074	M	XS - XXL	Regular	N/A		
F4WO212571-1	W Oak Ridge Interchange Jkt-Upd	F4WO212571	L22L2073	M	XS - XXL	Regular	N/A		



Component	Details	Placement	Usage	Width	Marker Width	607-Moonvista
<b>SAP Material Code</b>						<b>2125712607</b> <b>2125711607</b>
SMU Accounts						N/A
Shell 1	122392 PFC Free Version of 096405 Good Level Mechanical Stretch MP Lam Plain Weave 100% Polyester 100X87 100D/96F X 100D/96F Durable Water Repellent (80/10HL) C0 PFOA/PFOS Free MaterialCoatingNone Adhesive - Dot Matrix, 2 Layer Waterproof Hydrophobic Microporous Polyurethane 130.0 g/m2 Piece Dye/Jet NA		1.97 yd	56.0	0	Moonvista
Lining 1	072367 Windbreaker Dyed Only Plain Weave 100% Polyester 167 X 129 50D/72F X 50D/72F Cire Back - Double MaterialCoatingNone MaterialLaminateNone 70.0 g/m2 Piece Dye/Jet NA		1.45 yd	56.0	0	Moonvista
Lining 2	004476 FOR POCKETING AND YOUTH STYLES ONLY Chamois Touch Tricot 100% Polyester 28 Anti-pill (face), Brushed (Tech Face) 80.0 g/m2 Piece Dye/Jet NA		0.29 yd	60.0	0	Moonvista



**Color BOM - F4WO212571-1 W Oak Ridge Interchange Jkt-Upd**

Line Slot: Oak Ridge II Interchange Jacket				State: Production		Season: F24		Designer: mmejia	
Style	Style Description	Design	Pattern	Base Size	Size Scale	Fit	SMU Type	Sample LO	Production LO
XL5746	Oak Ridge™ II Interchange Jacket	F4WO212539		unassigned		Regular	Style Add		India
F4WO212572-1	W Oak Ridge Interchange Jkt-Upd	F4WO212572	L22L2074	M	XS - XXL	Regular	N/A		
F4WO212571-1	W Oak Ridge Interchange Jkt-Upd	F4WO212571	L22L2073	M	XS - XXL	Regular	N/A		



Component	Details	Placement	Usage	Width	Marker Width	607-Moonvista
<b>SAP Material Code</b>						<b>2125712607 2125711607</b>
Lining 3	032201 Abrasion Resist Brushed Tricot Tricot 100% Polyester 28 Durable Water Repellent (80/10HL) C0 PFOA/PFOS Free, Brushed (Tech Face) 215.0 g/m2 Piece Dye/Jet NA		0.03 yd	60.0	0	Moonvista
Interfacing 1	110671 Recycled Interlining Sew-In Non-Woven Lightweight Soft SAME AS VIRGIN VERSION 011958 Interlining 80% Recycled Polyester, 20% Viscose 30.0 g/m2		0.2 yd	39.0	0	White
Scrim 1	300119 Scrim 15 g m2 Non Woven 100% Polypropylene 14.0 g/m2		1.55 yd	60.0	0	White
Insulation 1	106322 CSM3 Recycled Microtemp 40gsm Non Woven 85% Recycled Polyester, 15% Polyester 40.0 g/m2		1.58 yd	60.0	0	White
Adhesive 1	053401 Do not use after S25 season use PDM 127440 S25 season forward 2L Seam Seal Tape Bemis ST-503 Clear 20mm 3mil		6 yd	0.75	0	Clear
Drawcord-Cording-Laces 1	380083 2.5mm OD Stretch Drawcord Polyester/ 1 color Outside Diameter: 2.5	hood opening	0.95 yd	0.0	0	Moonvista
Drawcord-Cording-Laces 2	008166 1.5mm non stretch drawcord w/ticks 2 clr (ECO version use 082935)	zip pullers at CF (1), Hans pkts (2), chest pkt (1)	0.84 yd	0.0	0	Black, Grill
Eyelets-Grommets 1	077468 3.5mmID metal eyelet W ENAMEL FINISH for metal finish use 056424	chin	6 set	0.0	0	Moonvista
Heat Transfer Glued 1	028904 64mm (B) columbia and Bug Logo heat transfer 1 clr		1 ea	0.0	0	Columbia Grey

**Color BOM - F4WO212571-1 W Oak Ridge Interchange Jkt-Upd**

Line Slot: Oak Ridge II Interchange Jacket			State: Production		Season: F24		Designer: mmejia		
Style	Style Description	Design	Pattern	Base Size	Size Scale	Fit	SMU Type	Sample LO	Production LO
XL5746	Oak Ridge™ II Interchange Jacket	F4WO212539		unassigned		Regular	Style Add		India
F4WO212572-1	W Oak Ridge Interchange Jkt-Upd	F4WO212572	L22L2074	M	XS - XXL	Regular	N/A		
F4WO212571-1	W Oak Ridge Interchange Jkt-Upd	F4WO212571	L22L2073	M	XS - XXL	Regular	N/A		



Component	Details	Placement	Usage	Width	Marker Width	607-Moonvista
<b>SAP Material Code</b>						<b>2125712607 2125711607</b>
Heat Transfer Glued 2	095113 57mm Omni Tech Wordmark (B) Heat Transfer		1 ea	0.0	0	Columbia Grey
Hook 1	460003 3/4in (20mm) Linear Hook/ two side edge 1clr Width: 19.0	cuff tab	0.111 yd	0.0	0	Moonvista
Hook 2	460003 3/4in (20mm) Linear Hook/ two side edge 1clr Width: 19.0		0.056 yd	0.0	0	Moonvista
Label Logo 1	059197 USE ONLY FOR ALL ADULTSIZES AND YOUTH S-XL 42mm x 8mm Lightweight Stripe woven ECO Hanger Loop DOWN 2 clr other colors w Director approval only		1 ea	0.0	0	Columbia Grey, Grill
Loop 1	460038 3/4in x 3-3/4in Rounded Corner Die Cut Loop 1clr (use w/ 002829) Length: 95.0 Width: 19.0	cuff	2 ea	0.0	0	Moonvista
Loop 2	460004 3/4in (20mm) Linear Loop/two side edge 1clr Width: 19.0		0.088 yd	0.0	0	Moonvista
Snaps 1	480101 16L Metal flat Cap/Skt/Stud/Post prong snap set...For adjustment extra Cap/Socket PDM 019746 For adjustment Stud/post use 114462 1clr finish CAN BE USED FOR YOUTH Outside Diameter: 10.0		3 set	0.0	0	Black Nickel Finish
Thread 1	060282 Coats Epic Tex 30 thread	Updated on 8/2 based on P2	365 meter	0.0	0	DTM
Thread 2	008214 Coats ASTRA Spun Polyester Tex 27 40/2	Updated on 8/2 based on P2	296 meter	0.0	0	DTM
Toggle 1	002544 3.5mm ID Sew-in Friction Cord Stopper (Set of Right / left) 1 clr (due to material content trim cannot be done in clear color) Length: 15.8 Width: 16.5 Depth: 5.4 Inside Diameter: 3.5 Outside Diameter: 7.8	hood opening	1 set	0.0	0	Black
Washer 1	002614 Plastic Washer (Polyurethane) (use on all Snap Stud and Post or Eyelets if needed) Clear CAN BE USED FOR YOUTH		9 ea	0.0	0	Clear

**Color BOM - F4WO212571-1 W Oak Ridge Interchange Jkt-Upd**

Line Slot: Oak Ridge II Interchange Jacket		State: Production		Season: F24		Designer: mmejia			
Style	Style Description	Design	Pattern	Base Size	Size Scale	Fit	SMU Type	Sample LO	Production LO
XL5746	Oak Ridge™ II Interchange Jacket	F4WO212539		unassigned		Regular	Style Add		India
F4WO212572-1	W Oak Ridge Interchange Jkt-Upd	F4WO212572	L22L2074	M	XS - XXL	Regular	N/A		
F4WO212571-1	W Oak Ridge Interchange Jkt-Upd	F4WO212571	L22L2073	M	XS - XXL	Regular	N/A		



Component	Details	Placement	Usage	Width	Marker Width	607-Moonvista
<b>SAP Material Code</b>						<b>2125712607 2125711607</b>
Webbing and Tape 1	004611 5/8 in Grosgrain Tape, Poly 1 clr		0.208 yd	0.0	0	Black
Webbing and Tape 2	004611 5/8 in Grosgrain Tape, Poly 1 clr		0.16 yd	0.0	0	Black
Zipper 1	127290 CNFOL-56 DABLH E P-TOP BOSUI REVERSE Open L-in AutoLk Enamel LgHolePI PlasticTopStop BOSUI WtrRep finish RevCoil (PFAS free version of 009136) Length: 8.0	CF - 1	1 ea	0.0	0	Moonvista
Zipper 2	126820 CFC-36 DABLH6 EF T-B-0 REVERSE Clsd AutoLk LargeHole MatteEnml Slidr/PI NoStps RevCoil metal content Length: 4.0	hand zips - 2	2 ea	0.0	0	Moonvista
Zipper 3	126909 Clsd AutoLk Large Hole PI Enml Slidr/PI Bosui WtrRep Tape NoStps RevCoil Metal content CNFC-56 DABLH E WATER-J T-B-0 REVERSE Length: 4.0	chest zip - 1	1 ea	0.0	0	Moonvista
Zipper 4	126945 VSOR-56 DA E OpenEnd Right-in AutoLock Enml Slidr/PI Same as Ideal 015802 Length: 8.0	IC Zip - 1	1 ea	0.0	0	Moonvista
Label 1	059203 62.5mm "B size" CSC End Fold Woven Label		1 ea	0.0	0	White, Columbia Grey, Compass Blue
Label 2	060471 32mm Interchange ECO Woven Size Label w/ Gem Logo		1 ea	0.0	0	White, Columbia Grey, Compass Blue
Label 3	067533 33mm Patent Care Content like 006564 ECO Booklet Fold label COO / wht/blk and Blk/White		1 ea	0.0	0	White, Black
Hangtag Package Part	097129 Columbia Omni-Heat Reflective, Omni-Tech, Interchange Compatible Hangtag		1 ea	0.0	0	Artwork
Hangtag Package Part	126967 Regular Fit Swing Tag		1 ea	0.0	0	Artwork

**Color BOM - F4WO212571-1 W Oak Ridge Interchange Jkt-Upd**

Line Slot: Oak Ridge II Interchange Jacket		State: Production		Season: F24		Designer: mmejia			
Style	Style Description	Design	Pattern	Base Size	Size Scale	Fit	SMU Type	Sample LO	Production LO
XL5746	Oak Ridge™ II Interchange Jacket	F4WO212539		unassigned		Regular	Style Add		India
F4WO212572-1	W Oak Ridge Interchange Jkt-Upd	F4WO212572	L22L2074	M	XS - XXL	Regular	N/A		
F4WO212571-1	W Oak Ridge Interchange Jkt-Upd	F4WO212571	L22L2073	M	XS - XXL	Regular	N/A		



Component	Details	Placement	Usage	Width	Marker Width	607-Moonvista
<b>SAP Material Code</b>						<b>2125712607</b> <b>2125711607</b>
Hangtag Package Part	121612 MSRP/UPC with RFID Specs for MSRP. Please refer to VAS specs for any exceptions. MSRP required on all product shipping to the US.		1 ea	0.0	0	Artwork
Packaging 1	980001 Polybag See Standard CCS 4200 for specifications		1 ea	0.0	0	Stock
Packaging 2	980010 UPC Bag Sticker Generic (MHW/Columbia) See CCS4400/ 4401 and MHW4402 for Mt Hardware for instructions		1 ea	0.0	0	Artwork
Packaging 3	064194 Outer Carton for costing purpose only		1 ea	0.0	0	Stock

This is confidential and proprietary information of Columbia Sportswear Company. You agree that you will not disclose this information to any third party or use it for any purpose other than on behalf of Columbia. You have no right to use Columbia's name or any of its trademarks, trade names, copyrights, patents, designs or other intellectual property except as set forth in writing by Columbia.

**Color BOM - F4WO212572-1 W Oak Ridge Interchange Jkt-Upd**

Line Slot: Oak Ridge II Interchange Jacket		State: Production		Season: F24		Designer: mmejia			
Style	Style Description	Design	Pattern	Base Size	Size Scale	Fit	SMU Type	Sample LO	Production LO
XL5746	Oak Ridge™ II Interchange Jacket	F4WO212539		unassigned		Regular	Style Add		India
F4WO212572-1	W Oak Ridge Interchange Jkt-Upd	F4WO212572	L22L2074	M	XS - XXL	Regular	N/A		
F4WO212571-1	W Oak Ridge Interchange Jkt-Upd	F4WO212571	L22L2073	M	XS - XXL	Regular	N/A		



Component	Details	Placement	Usage	Width	Marker Width	010-Black	262-Canoe	278-Dark Stone	348-Safari	581-Snowdrift
<b>SAP Material Code</b>						2125722010	2125721262	2125721278	2125721348	2125722581
						2125721010	2125722262	2125722278	2125722348	2125721581
<b>SMU Accounts</b>						N/A	N/A	N/A	N/A	N/A
Shell 1	105825 PFC Free Warp Stretch Max Softshell with Brushed Back (310 gsm) Double Weave 94% Polyester, 6% Elastane 158X165 (75D/72f+40D/4f) x (75D/72f+40D/4f+150D/144f*3) Brushed (Tech Back), Durable Water Repellent (80/10HL) C0 PFOA/PFOS Free MaterialCoatingNone MaterialLaminateNone 310.0 g/m2 Piece Dye/Jet NA		0.34 yd	59.0	0	Black	Canoe	Dark Stone	Safari	Snowdrift
Shell 2	119437 PFC Free Version of 077939 Matte Turbdown Plain Weave 100% Nylon 220 X 172 N20 X N20 Cire Back - Double, Durable Water Repellent (80/10HL) C0 PFOA/PFOS Free MaterialCoatingNone MaterialLaminateNone 38.0 g/m2 Piece Dye/Jet NA		0.7 yd	56.0	0	Black	Canoe	Dark Stone	Safari	Snowdrift

**Color BOM - F4WO212572-1 W Oak Ridge Interchange Jkt-Upd**

Line Slot: Oak Ridge II Interchange Jacket		State: Production		Season: F24		Designer: mmejia			
Style	Style Description	Design	Pattern	Base Size	Size Scale	Fit	SMU Type	Sample LO	Production LO
XL5746	Oak Ridge™ II Interchange Jacket	F4WO212539		unassigned		Regular	Style Add		India
F4WO212572-1	W Oak Ridge Interchange Jkt-Upd	F4WO212572	L22L2074	M	XS - XXL	Regular	N/A		
F4WO212571-1	W Oak Ridge Interchange Jkt-Upd	F4WO212571	L22L2073	M	XS - XXL	Regular	N/A		



Component	Details	Placement	Usage	Width	Marker Width	010-Black	262-Canoe	278-Dark Stone	348-Safari	581-Snowdrift
<b>SAP Material Code</b>						2125722010	2125721262	2125721278	2125721348	2125722581
						2125721010	2125722262	2125722278	2125722348	2125721581
Lining 1	073148 Windbreaker Cire Face Better OHR foil print Lining Plain Weave 100% Polyester 167 X 129 50D/72F X 50D/72F Cire Face - Double MaterialCoatingNone MaterialLaminateNone 75.0 g/m2 Piece Dye/Jet NA		0.48 yd	56.0	0	Black	Canoe	Dark Stone	Safari	Snowdrift
Lining 2	072367 Windbreaker Dyed Only Plain Weave 100% Polyester 167 X 129 50D/72F X 50D/72F Cire Back - Double MaterialCoatingNone MaterialLaminateNone 70.0 g/m2 Piece Dye/Jet NA		0.21 yd	56.0	0	Black	Canoe	Dark Stone	Safari	Snowdrift
Lining 3	032201 Abrasion Resist Brushed Tricot Tricot 100% Polyester 28 Durable Water Repellent (80/10HL) C0 PFOA/PFOS Free, Brushed (Tech Face) 215.0 g/m2 Piece Dye/Jet NA		0.012 yd	60.0	0	Black	Canoe	Dark Stone	Safari	Snowdrift

**Color BOM - F4WO212572-1 W Oak Ridge Interchange Jkt-Upd**

Line Slot: Oak Ridge II Interchange Jacket		State: Production		Season: F24		Designer: mmejia			
Style	Style Description	Design	Pattern	Base Size	Size Scale	Fit	SMU Type	Sample LO	Production LO
XL5746	Oak Ridge™ II Interchange Jacket	F4WO212539		unassigned		Regular	Style Add		India
F4WO212572-1	W Oak Ridge Interchange Jkt-Upd	F4WO212572	L22L2074	M	XS - XXL	Regular	N/A		
F4WO212571-1	W Oak Ridge Interchange Jkt-Upd	F4WO212571	L22L2073	M	XS - XXL	Regular	N/A		



Component	Details	Placement	Usage	Width	Marker Width	010-Black	262-Canoe	278-Dark Stone	348-Safari	581-Snowdrift
<b>SAP Material Code</b>						2125722010	2125721262	2125721278	2125721348	2125722581
						2125721010	2125722262	2125722278	2125722348	2125721581
Binding 1	119437 PFC Free Version of 077939 Matte Turbodown Plain Weave 100% Nylon 220 X 172 N20 X N20 Cire Back - Double, Durable Water Repellent (80/10HL) C0 PFOA/PFOS Free MaterialCoatingNone MaterialLaminateNone 38.0 g/m2 Piece Dye/Jet NA		0.34 yd	56.0	0	Black	Canoe	Dark Stone	Safari	Snowdrift
Interfacing 1	110671 Recycled Interlining Sew-In Non-Woven Lightweight Soft SAME AS VIRGIN VERSION 011958 Interlining 80% Recycled Polyester, 20% Viscose 30.0 g/m2		0.04 yd	39.0	0	White	White	White	White	White
Insulation 1	113362 Recycled Thermarator Non Woven 100% Recycled Polyester 0.0 g/m2		0.13 kg	0.0	0	White	White	White	White	White
Drawcord-Cording-Laces 1	008166 1.5mm non stretch drawcord w/ticks 2 clr (ECO version use 082935)	zip pullers at CF (1), hand pkts (2)	0.63 yd	0.0	0	Black, Grill	Grill, Columbia Grey	Grill, Columbia Grey	Grill, Columbia Grey	Columbia Grey, Grill
Label Logo 1	059197 USE ONLY FOR ALL ADULT sizes AND YOUTH S-XL 42mm x 8mm Lightweight Stripe woven ECO Hanger Loop DOWN 2 clr other colors w Director approval only		1 ea	0.0	0	Columbia Grey, Grill	Columbia Grey, Grill	Columbia Grey, Grill	Columbia Grey, Grill	Columbia Grey, Grill
Label Logo 2	061152 3mm Non stretch Interchange Drawcord for hanger loop 2 clr		1 ea	0.0	0	Black, Grill	Grill, Columbia Grey	Grill, Columbia Grey	Grill, Columbia Grey	Columbia Grey, Grill

**Color BOM - F4WO212572-1 W Oak Ridge Interchange Jkt-Upd**

Line Slot: Oak Ridge II Interchange Jacket		State: Production		Season: F24		Designer: mmejia			
Style	Style Description	Design	Pattern	Base Size	Size Scale	Fit	SMU Type	Sample LO	Production LO
XL5746	Oak Ridge™ II Interchange Jacket	F4WO212539		unassigned		Regular	Style Add		India
F4WO212572-1	W Oak Ridge Interchange Jkt-Upd	F4WO212572	L22L2074	M	XS - XXL	Regular	N/A		
F4WO212571-1	W Oak Ridge Interchange Jkt-Upd	F4WO212571	L22L2073	M	XS - XXL	Regular	N/A		



Component	Details	Placement	Usage	Width	Marker Width	010-Black	262-Canoe	278-Dark Stone	348-Safari	581-Snowdrift
<b>SAP Material Code</b>						2125722010	2125721262	2125721278	2125721348	2125722581
						2125721010	2125722262	2125722278	2125722348	2125721581
Screen Print 1	014454 64mm (B) Bug Columbia Logo Screenprint 1 clr Width: 64.0 Height: 11.6		1 ea	0.0	0	Columbia Grey	Grill	Grill	Grill	Grill
Thread 1	060282 Coats Epic Tex 30 thread	For Top and Bottom stitch	103 meter	0.0	0	DTM	DTM	DTM	DTM	DTM
Thread 2	079632 Coats Epic Tex 24	For Quilting	60 meter	0.0	0	DTM	DTM	DTM	DTM	DTM
Thread 3	008214 Coats ASTRA Spun Polyester Tex 27 40/2	For Overlock	500 meter	0.0	0	DTM	DTM	DTM	DTM	DTM
Webbing and Tape 1	360183 3/4 in W Foldover (3/8 to show) Woven Stretch Binding 1 clr FOR CAN STYLES PRODUCED IN VN use 110808 Width: 0.75	top edge of collar	0.61 yd	0.0	0	Black	Canoe	Dark Stone	Safari	Snowdrift
Webbing and Tape 2	360183 3/4 in W Foldover (3/8 to show) Woven Stretch Binding 1 clr FOR CAN STYLES PRODUCED IN VN use 110808 Width: 0.75	armhole	1.27 yd	0.0	0	Black	Canoe	Dark Stone	Safari	Snowdrift
Webbing and Tape 3	360183 3/4 in W Foldover (3/8 to show) Woven Stretch Binding 1 clr FOR CAN STYLES PRODUCED IN VN use 110808 Width: 0.75	top edge of hand pocket bags	0.514 yd	0.0	0	Black	Canoe	Dark Stone	Safari	Snowdrift
Zipper 1	126946 VSOL-58 DU E OpenEnd Left-in Reversible AutoLk FlipOver Enml Sldr/PI metal content Length: 8.0	CF - 1	1 ea	0.0	0	Black	Canoe	Dark Stone	Safari	Snowdrift
Zipper 2	056079 CFC-36 DALH H3 T-B-0 Clsd AutoLk Lg Hole PI AntSilver Sldr/PI No Stps Metal content Length: 4.0	hands - 2	2 ea	0.0	0	Black	Canoe	Dark Stone	Safari	Snowdrift



**Color BOM - F4WO212572-1 W Oak Ridge Interchange Jkt-Upd**

Line Slot: Oak Ridge II Interchange Jacket		State: Production		Season: F24		Designer: mmejia			
Style	Style Description	Design	Pattern	Base Size	Size Scale	Fit	SMU Type	Sample LO	Production LO
XL5746	Oak Ridge™ II Interchange Jacket	F4WO212539		unassigned		Regular	Style Add		India
F4WO212572-1	W Oak Ridge Interchange Jkt-Upd	F4WO212572	L22L2074	M	XS - XXL	Regular	N/A		
F4WO212571-1	W Oak Ridge Interchange Jkt-Upd	F4WO212571	L22L2073	M	XS - XXL	Regular	N/A		



Component	Details	Placement	Usage	Width	Marker Width	010-Black	262-Canoe	278-Dark Stone	348-Safari	581-Snowdrift
<b>SAP Material Code</b>						2125722010	2125721262	2125721278	2125721348	2125722581
						2125721010	2125722262	2125722278	2125722348	2125721581
Label 1	060475 40mm Interchange Woven ECO Size Label w/ Gem CSC to be used with 059197 Hanger Loop		1 ea	0.0	0	White, Columbia Grey, Compass Blue	White, Columbia Grey, Compass Blue	White, Columbia Grey, Compass Blue	White, Columbia Grey, Compass Blue	White, Columbia Grey, Compass Blue
Label 2	067533 33mm Patent Care Content like 006564 ECO Booklet Fold label COO / wht/blk and Blk/White		1 ea	0.0	0	White, Black	White, Black	White, Black	White, Black	White, Black
Packaging 1	980001 Polybag See Standard CCS 4200 for specifications		1 ea	0.0	0	Stock	Stock	Stock	Stock	Stock
Packaging 2	980010 UPC Bag Sticker Generic (MHW/Columbia) See CCS4400/ 4401 and MHW4402 for Mt Hardwear for instructions		1 ea	0.0	0	Artwork	Artwork	Artwork	Artwork	Artwork
Packaging 3	064194 Outer Carton for costing purpose only	only for the liner jkt to be sold alone.	1 ea	0.0	0	Stock	Stock	Stock	Stock	Stock

**Color BOM - F4WO212572-1 W Oak Ridge Interchange Jkt-Upd**

Line Slot: Oak Ridge II Interchange Jacket		State: Production		Season: F24		Designer: mmejia			
Style	Style Description	Design	Pattern	Base Size	Size Scale	Fit	SMU Type	Sample LO	Production LO
XL5746	Oak Ridge™ II Interchange Jacket	F4WO212539		unassigned		Regular	Style Add		India
F4WO212572-1	W Oak Ridge Interchange Jkt-Upd	F4WO212572	L22L2074	M	XS - XXL	Regular	N/A		
F4WO212571-1	W Oak Ridge Interchange Jkt-Upd	F4WO212571	L22L2073	M	XS - XXL	Regular	N/A		



Component	Details	Placement	Usage	Width	Marker Width	609-Fig
<b>SAP Material Code</b>						<b>2125721609 2125722609</b>
SMU Accounts						N/A
Shell 1	105825 PFC Free Warp Stretch Max Softshell with Brushed Back (310 gsm) Double Weave 94% Polyester, 6% Elastane 158X165 (75D/72f+40D/4f) x (75D/72f+40D/4f+150D/144f*3) Brushed (Tech Back), Durable Water Repellent (80/10HL) C0 PFOA/PFOS Free MaterialCoatingNone MaterialLaminateNone 310.0 g/m2 Piece Dye/Jet NA		0.34 yd	59.0	0	Fig
Shell 2	119437 PFC Free Version of 077939 Matte Turbodown Plain Weave 100% Nylon 220 X 172 N20 X N20 Cire Back - Double, Durable Water Repellent (80/10HL) C0 PFOA/PFOS Free MaterialCoatingNone MaterialLaminateNone 38.0 g/m2 Piece Dye/Jet NA		0.7 yd	56.0	0	Fig
Lining 1	073148 Windbreaker Cire Face Better OHR foil print Lining Plain Weave 100% Polyester 167 X 129 50D/72F X 50D/72F Cire Face - Double MaterialCoatingNone MaterialLaminateNone 75.0 g/m2 Piece Dye/Jet NA		0.48 yd	56.0	0	Fig

**Color BOM - F4WO212572-1 W Oak Ridge Interchange Jkt-Upd**

Line Slot: Oak Ridge II Interchange Jacket		State: Production		Season: F24		Designer: mmejia			
Style	Style Description	Design	Pattern	Base Size	Size Scale	Fit	SMU Type	Sample LO	Production LO
XL5746	Oak Ridge™ II Interchange Jacket	F4WO212539		unassigned		Regular	Style Add		India
F4WO212572-1	W Oak Ridge Interchange Jkt-Upd	F4WO212572	L22L2074	M	XS - XXL	Regular	N/A		
F4WO212571-1	W Oak Ridge Interchange Jkt-Upd	F4WO212571	L22L2073	M	XS - XXL	Regular	N/A		



Component	Details	Placement	Usage	Width	Marker Width	609-Fig
<b>SAP Material Code</b>						<b>2125721609 2125722609</b>
Lining 2	072367 Windbreaker Dyed Only Plain Weave 100% Polyester 167 X 129 50D/72F X 50D/72F Cire Back - Double MaterialCoatingNone MaterialLaminateNone 70.0 g/m2 Piece Dye/Jet NA		0.21 yd	56.0	0	Fig
Lining 3	032201 Abrasion Resist Brushed Tricot Tricot 100% Polyester 28 Durable Water Repellent (80/10HL) C0 PFOA/PFOS Free, Brushed (Tech Face) 215.0 g/m2 Piece Dye/Jet NA		0.012 yd	60.0	0	Fig
Binding 1	119437 PFC Free Version of 077939 Matte Turbodown Plain Weave 100% Nylon 220 X 172 N20 X N20 Cire Back - Double, Durable Water Repellent (80/10HL) C0 PFOA/PFOS Free MaterialCoatingNone MaterialLaminateNone 38.0 g/m2 Piece Dye/Jet NA		0.34 yd	56.0	0	Fig
Interfacing 1	110671 Recycled Interlining Sew-In Non-Woven Lightweight Soft SAME AS VIRGIN VERSION 011958 Interlining 80% Recycled Polyester, 20% Viscose 30.0 g/m2		0.04 yd	39.0	0	White

**Color BOM - F4WO212572-1 W Oak Ridge Interchange Jkt-Upd**

Line Slot: Oak Ridge II Interchange Jacket			State: Production		Season: F24		Designer: mmejia		
Style	Style Description	Design	Pattern	Base Size	Size Scale	Fit	SMU Type	Sample LO	Production LO
XL5746	Oak Ridge™ II Interchange Jacket	F4WO212539		unassigned		Regular	Style Add		India
F4WO212572-1	W Oak Ridge Interchange Jkt-Upd	F4WO212572	L22L2074	M	XS - XXL	Regular	N/A		
F4WO212571-1	W Oak Ridge Interchange Jkt-Upd	F4WO212571	L22L2073	M	XS - XXL	Regular	N/A		



Component	Details	Placement	Usage	Width	Marker Width	609-Fig
<b>SAP Material Code</b>						<b>2125721609 2125722609</b>
Insulation 1	113362 Recycled Thermanator Non Woven 100% Recycled Polyester 0.0 g/m2		0.13 kg	0.0	0	White
Drawcord-Cording-Laces 1	008166 1.5mm non stretch drawcord w/ticks 2 clr (ECO version use 082935)	zip pullers at CF (1), hand pkts (2)	0.63 yd	0.0	0	Grill, Columbia Grey
Label Logo 1	059197 USE ONLY FOR ALL ADULT sizes AND YOUTH S-XL 42mm x 8mm Lightweight Stripe woven ECO Hanger Loop DOWN 2 clr other colors w Director approval only		1 ea	0.0	0	Columbia Grey, Grill
Label Logo 2	061152 3mm Non stretch Interchange Drawcord for hanger loop 2 clr		1 ea	0.0	0	Grill, Columbia Grey
Screen Print 1	014454 64mm (B) Bug Columbia Logo Screenprint 1 clr Width: 64.0 Height: 11.6		1 ea	0.0	0	Grill
Thread 1	060282 Coats Epic Tex 30 thread	For Top and Bottom stitch	103 meter	0.0	0	DTM
Thread 2	079632 Coats Epic Tex 24	For Quilting	60 meter	0.0	0	DTM
Thread 3	008214 Coats ASTRA Spun Polyester Tex 27 40/2	For Overlock	500 meter	0.0	0	DTM
Webbing and Tape 1	360183 3/4 in W Foldover (3/8 to show) Woven Stretch Binding 1 clr FOR CAN STYLES PRODUCED IN VN use 110808 Width: 0.75	top edge of collar	0.61 yd	0.0	0	Fig
Webbing and Tape 2	360183 3/4 in W Foldover (3/8 to show) Woven Stretch Binding 1 clr FOR CAN STYLES PRODUCED IN VN use 110808 Width: 0.75	armhole	1.27 yd	0.0	0	Fig
Webbing and Tape 3	360183 3/4 in W Foldover (3/8 to show) Woven Stretch Binding 1 clr FOR CAN STYLES PRODUCED IN VN use 110808 Width: 0.75	top edge of hand pocket bags	0.514 yd	0.0	0	Fig
Zipper 1	126946 VSOL-58 DU E OpenEnd Left-in Reversible AutoLk FlipOver Enml Sldr/PI metal content Length: 8.0	CF - 1	1 ea	0.0	0	Fig

**Color BOM - F4WO212572-1 W Oak Ridge Interchange Jkt-Upd**

Line Slot: Oak Ridge II Interchange Jacket				State: Production		Season: F24		Designer: mmejia	
Style	Style Description	Design	Pattern	Base Size	Size Scale	Fit	SMU Type	Sample LO	Production LO
XL5746	Oak Ridge™ II Interchange Jacket	F4WO212539		unassigned		Regular	Style Add		India
F4WO212572-1	W Oak Ridge Interchange Jkt-Upd	F4WO212572	L22L2074	M	XS - XXL	Regular	N/A		
F4WO212571-1	W Oak Ridge Interchange Jkt-Upd	F4WO212571	L22L2073	M	XS - XXL	Regular	N/A		



Component	Details	Placement	Usage	Width	Marker Width	609-Fig
<b>SAP Material Code</b>						<b>2125721609</b> <b>2125722609</b>
Zipper 2	056079 CFC-36 DALH H3 T-B-0 Clsd AutoLk Lg Hole PI AntSilver Sldr/PI No Stps Metal content Length: 4.0	hands - 2	2 ea	0.0	0	Fig
Label 1	060475 40mm Interchange Woven ECO Size Label w/ Gem CSC to be used with 059197 Hanger Loop		1 ea	0.0	0	White, Columbia Grey, Compass Blue
Label 2	067533 33mm Patent Care Content like 006564 ECO Booklet Fold label COO / wht/blk and Blk/White		1 ea	0.0	0	White, Black
Packaging 1	980001 Polybag See Standard CCS 4200 for specifications		1 ea	0.0	0	Stock
Packaging 2	980010 UPC Bag Sticker Generic (MHW/Columbia) See CCS4400/ 4401 and MHW4402 for Mt Hardwear for instructions		1 ea	0.0	0	Artwork
Packaging 3	064194 Outer Carton for costing purpose only	only for the liner jkt to be sold alone.	1 ea	0.0	0	Stock

This is confidential and proprietary information of Columbia Sportswear Company. You agree that you will not disclose this information to any third party or use it for any purpose other than on behalf of Columbia. You have no right to use Columbia's name or any of its trademarks, trade names, copyrights, patents, designs or other intellectual property except as set forth in writing by Columbia.

## Colorless BOM - F4WO212571-1 W Oak Ridge Interchange Jkt-Upd

Line Slot: Oak Ridge II Interchange Jacket      State: Production      Season: F24      Designer: mmejia

Style	Style Description	Design	Pattern	Base Size	Size Scale	Fit	SMU Type	Sample LO	Production LO
XL5746	Oak Ridge™ II Interchange Jacket	F4WO212 539		unassigned		Regular	Style Add		India
F4WO212 572-1	W Oak Ridge Interchange Jkt-Upd	F4WO212 572	L22L2074	M	XS - XXL	Regular	N/A		
F4WO212 571-1	W Oak Ridge Interchange Jkt-Upd	F4WO212 571	L22L2073	M	XS - XXL	Regular	N/A		



Component	Details	Placement	Usage	Width	Marker Width
<b>SAP Material Code</b>					
Shell 1	122392 PFC Free Version of 096405 Good Level Mechanical Stretch MP Lam Plain Weave 100% Polyester 100X87 100D/96F X 100D/96F Durable Water Repellent (80/10HL) C0 PFOA/PFOS Free MaterialCoatingNone Adhesive - Dot Matrix, 2 Layer Waterproof Hydrophobic Microporous Polyurethane 130.0 g/m2 Piece Dye/Jet NA		1.97 yd	56.0	0
Lining 1	072367 Windbreaker Dyed Only Plain Weave 100% Polyester 167 X 129 50D/72F X 50D/72F Cire Back - Double MaterialCoatingNone MaterialLaminateNone 70.0 g/m2 Piece Dye/Jet NA		1.45 yd	56.0	0
Lining 2	004476 FOR POCKETING AND YOUTH STYLES ONLY Chamois Touch Tricot 100% Polyester 28 Anti-pill (face), Brushed (Tech Face) 80.0 g/m2 Piece Dye/Jet NA		0.29 yd	60.0	0
Lining 3	032201 Abrasion Resist Brushed Tricot 100% Polyester 28 Durable Water Repellent (80/10HL) C0 PFOA/PFOS Free, Brushed (Tech Face) 215.0 g/m2 Piece Dye/Jet NA		0.03 yd	60.0	0
Interfacing 1	110671 Recycled Interlining Sew-In Non-Woven Lightweight Soft SAME AS VIRGIN VERSION 011958 Interlining 80% Recycled Polyester, 20% Viscose 30.0 g/m2		0.2 yd	39.0	0
Scrim 1	300119 Scrim 15 g m2 Non Woven 100% Polypropylene 14.0 g/m2		1.55 yd	60.0	0
Insulation 1	106322 CSM3 Recycled Microtemp 40gsm Non Woven 85% Recycled Polyester, 15% Polyester 40.0 g/m2		1.58 yd	60.0	0

## Colorless BOM - F4WO212571-1 W Oak Ridge Interchange Jkt-Upd

Line Slot: Oak Ridge II Interchange Jacket      State: Production      Season: F24      Designer: mmejia

Style	Style Description	Design	Pattern	Base Size	Size Scale	Fit	SMU Type	Sample LO	Production LO
XL5746	Oak Ridge™ II Interchange Jacket	F4WO212 539		unassigned		Regular	Style Add		India
F4WO212 572-1	W Oak Ridge Interchange Jkt-Upd	F4WO212 572	L22L2074	M	XS - XXL	Regular	N/A		
F4WO212 571-1	W Oak Ridge Interchange Jkt-Upd	F4WO212 571	L22L2073	M	XS - XXL	Regular	N/A		



Component	Details	Placement	Usage	Width	Marker Width
<b>SAP Material Code</b>					
Adhesive 1	053401 Do not use after S25 season use PDM 127440 S25 season forward 2L Seam Seal Tape Bemis ST-503 Clear 20mm 3mil		6 yd	0.75	0
Drawcord-Cording-Laces 1	380083 2.5mm OD Stretch Drawcord Polyester/ 1 color Outside Diameter: 2.5	hood opening	0.95 yd	0.0	0
Drawcord-Cording-Laces 2	008166 1.5mm non stretch drawcord w/ticks 2 clr (ECO version use 082935)	zip pullers at CF (1), Hans pkts (2), chest pkt (1)	0.84 yd	0.0	0
Eyelets-Grommets 1	077468 3.5mmID metal eyelet W ENAMEL FINISH for metal finish use 056424	chin	6 set	0.0	0
Heat Transfer Glued 1	028904 64mm (B) columbia and Bug Logo heat transfer 1 clr		1 ea	0.0	0
Heat Transfer Glued 2	095113 57mm Omni Tech Wordmark (B) Heat Transfer		1 ea	0.0	0
Hook 1	460003 3/4in (20mm) Linear Hook/ two side edge 1clr Width: 19.0	cuff tab	0.111 yd	0.0	0
Hook 2	460003 3/4in (20mm) Linear Hook/ two side edge 1clr Width: 19.0		0.056 yd	0.0	0
Label Logo 1	059197 USE ONLY FOR ALL ADULT sizes AND YOUTH S-XL 42mm x 8mm Lightweight Stripe woven ECO Hanger Loop DOWN 2 clr other colors w Director approval only		1 ea	0.0	0
Loop 1	460038 3/4in x 3-3/4in Rounded Corner Die Cut Loop 1clr (use w/ 002829) Length: 95.0 Width: 19.0	cuff	2 ea	0.0	0
Loop 2	460004 3/4in (20mm) Linear Loop/two side edge 1clr Width: 19.0		0.088 yd	0.0	0
Snaps 1	480101 16L Metal flat Cap/Skt/Stud/Post prong snap set...For adjustment extra Cap/Socket PDM 019746 For adjustment Stud/post use 114462 1clr finish CAN BE USED FOR YOUTH Outside Diameter: 10.0		3 set	0.0	0
Thread 1	060282 Coats Epic Tex 30 thread	Updated on 8/2 based on P2	365 meter	0.0	0
Thread 2	008214 Coats ASTRA Spun Polyester Tex 27 40/2	Updated on 8/2 based on P2	296 meter	0.0	0
Toggle 1	002544 3.5mm ID Sew-in Friction Cord Stopper (Set of Right / left) 1 clr (due to material content trim cannot be done in clear color) Length: 15.8 Width: 16.5 Depth: 5.4 Inside Diameter: 3.5 Outside Diameter: 7.8	hood opening	1 set	0.0	0

## Colorless BOM - F4WO212571-1 W Oak Ridge Interchange Jkt-Upd

Line Slot: Oak Ridge II Interchange Jacket      State: Production      Season: F24      Designer: mmejia

Style	Style Description	Design	Pattern	Base Size	Size Scale	Fit	SMU Type	Sample LO	Production LO
XL5746	Oak Ridge™ II Interchange Jacket	F4WO212 539		unassigned		Regular	Style Add		India
F4WO212 572-1	W Oak Ridge Interchange Jkt-Upd	F4WO212 572	L22L2074	M	XS - XXL	Regular	N/A		
F4WO212 571-1	W Oak Ridge Interchange Jkt-Upd	F4WO212 571	L22L2073	M	XS - XXL	Regular	N/A		



Component	Details	Placement	Usage	Width	Marker Width
<b>SAP Material Code</b>					
Washer 1	002614 Plastic Washer (Polyurethane) (use on all Snap Stud and Post or Eyelets if needed) Clear CAN BE USED FOR YOUTH		9 ea	0.0	0
Webbing and Tape 1	004611 5/8 in Grosgrain Tape, Poly 1 clr		0.208 yd	0.0	0
Webbing and Tape 2	004611 5/8 in Grosgrain Tape, Poly 1 clr		0.16 yd	0.0	0
Zipper 1	127290 CNFOL-56 DABLH E P-TOP BOSUI REVERSE Open L-in AutoLk Enamel LgHolePI PlasticTopStop BOSUI WtrRep finish RevCoil (PFAS free version of 009136) Length: 8.0	CF - 1	1 ea	0.0	0
Zipper 2	126820 CFC-36 DABLH6 EF T-B-0 REVERSE Clsd AutoLk LargeHole MatteEnml Sldr/PI NoStps RevCoil metal content Length: 4.0	hand zips - 2	2 ea	0.0	0
Zipper 3	126909 Clsd AutoLk Large Hole PI Enml Sldr/PI Bosui WtrRep Tape NoStps RevCoil Metal content CNFC-56 DABLH E WATER-J T-B-0 REVERSE Length: 4.0	chest zip - 1	1 ea	0.0	0
Zipper 4	126945 VSOR-56 DA E OpenEnd Right-in AutoLock Enml Sldr/PI Same as Ideal 015802 Length: 8.0	IC Zip - 1	1 ea	0.0	0
Label 1	059203 62.5mm "B size" CSC End Fold Woven Label		1 ea	0.0	0
Label 2	060471 32mm Interchange ECO Woven Size Label w/ Gem Logo		1 ea	0.0	0
Label 3	067533 33mm Patent Care Content like 006564 ECO Booklet Fold label COO / wht/blk and Blk/White		1 ea	0.0	0
Hangtag Package Part	097129 Columbia Omni-Heat Reflective, Omni-Tech, Interchange Compatible Hangtag		1 ea	0.0	0
Hangtag Package Part	126967 Regular Fit Swing Tag		1 ea	0.0	0
Hangtag Package Part	121612 MSRP/UPC with RFID Specs for MSRP. Please refer to VAS specs for any exceptions. MSRP required on all product shipping to the US.		1 ea	0.0	0
Packaging 1	980001 Polybag See Standard CCS 4200 for specifications		1 ea	0.0	0
Packaging 2	980010 UPC Bag Sticker Generic (MHW/Columbia) See CCS4400/ 4401 and MHW4402 for Mt Hardwear for instructions		1 ea	0.0	0
Packaging 3	064194 Outer Carton for costing purpose only		1 ea	0.0	0

This is confidential and proprietary information of Columbia Sportswear Company. You agree that you will not disclose this information to any third party or use it for any purpose other than on behalf of Columbia. You have no right to use Columbia's name or any of its trademarks, trade



**Colorless BOM - F4WO212571-1 W Oak Ridge Interchange Jkt-Upd**

Line Slot: Oak Ridge II Interchange Jacket		State: Production		Season: F24		Designer: mmejia			
Style	Style Description	Design	Pattern	Base Size	Size Scale	Fit	SMU Type	Sample LO	Production LO
XL5746	Oak Ridge™ II Interchange Jacket	F4WO212539		unassigned		Regular	Style Add		India
F4WO212572-1	W Oak Ridge Interchange Jkt-Upd	F4WO212572	L22L2074	M	XS - XXL	Regular	N/A		
F4WO212571-1	W Oak Ridge Interchange Jkt-Upd	F4WO212571	L22L2073	M	XS - XXL	Regular	N/A		



names, copyrights, patents, designs or other intellectual property except as set forth in writing by Columbia.

## Colorless BOM - F4WO212572-1 W Oak Ridge Interchange Jkt-Upd

Line Slot: Oak Ridge II Interchange Jacket      State: Production      Season: F24      Designer: mmejia

Style	Style Description	Design	Pattern	Base Size	Size Scale	Fit	SMU Type	Sample LO	Production LO
XL5746	Oak Ridge™ II Interchange Jacket	F4WO212 539		unassigned		Regular	Style Add		India
F4WO212 572-1	W Oak Ridge Interchange Jkt-Upd	F4WO212 572	L22L2074	M	XS - XXL	Regular	N/A		
F4WO212 571-1	W Oak Ridge Interchange Jkt-Upd	F4WO212 571	L22L2073	M	XS - XXL	Regular	N/A		



Component	Details	Placement	Usage	Width	Marker Width
<b>SAP Material Code</b>					
Shell 1	105825 PFC Free Warp Stretch Max Softshell with Brushed Back (310 gsm) Double Weave 94% Polyester, 6% Elastane 158X165 (75D/72f+40D/4f) x (75D/72f+40D/4f+150D/144f*3) Brushed (Tech Back), Durable Water Repellent (80/10HL) C0 PFOA/PFOS Free MaterialCoatingNone MaterialLaminateNone 310.0 g/m2 Piece Dye/Jet NA		0.34 yd	59.0	0
Shell 2	119437 PFC Free Version of 077939 Matte Turbodown Plain Weave 100% Nylon 220 X 172 N20 X N20 Cire Back - Double, Durable Water Repellent (80/10HL) C0 PFOA/PFOS Free MaterialCoatingNone MaterialLaminateNone 38.0 g/m2 Piece Dye/Jet NA		0.7 yd	56.0	0
Lining 1	073148 Windbreaker Cire Face Better OHR foil print Lining Plain Weave 100% Polyester 167 X 129 50D/72F X 50D/72F Cire Face - Double MaterialCoatingNone MaterialLaminateNone 75.0 g/m2 Piece Dye/Jet NA		0.48 yd	56.0	0
Lining 2	072367 Windbreaker Dyed Only Plain Weave 100% Polyester 167 X 129 50D/72F X 50D/72F Cire Back - Double MaterialCoatingNone MaterialLaminateNone 70.0 g/m2 Piece Dye/Jet NA		0.21 yd	56.0	0
Lining 3	032201 Abrasion Resist Brushed Tricot Tricot 100% Polyester 28 Durable Water Repellent (80/10HL) C0 PFOA/PFOS Free, Brushed (Tech Face) 215.0 g/m2 Piece Dye/Jet NA		0.012 yd	60.0	0

## Colorless BOM - F4WO212572-1 W Oak Ridge Interchange Jkt-Upd

Line Slot: Oak Ridge II Interchange Jacket      State: Production      Season: F24      Designer: mmejia

Style	Style Description	Design	Pattern	Base Size	Size Scale	Fit	SMU Type	Sample LO	Production LO
XL5746	Oak Ridge™ II Interchange Jacket	F4WO212 539		unassigned		Regular	Style Add		India
F4WO212 572-1	W Oak Ridge Interchange Jkt-Upd	F4WO212 572	L22L2074	M	XS - XXL	Regular	N/A		
F4WO212 571-1	W Oak Ridge Interchange Jkt-Upd	F4WO212 571	L22L2073	M	XS - XXL	Regular	N/A		



Component	Details	Placement	Usage	Width	Marker Width
<b>SAP Material Code</b>					
Binding 1	119437 PFC Free Version of 077939 Matte Turbdown Plain Weave 100% Nylon 220 X 172 N20 X N20 Cire Back - Double, Durable Water Repellent (80/10HL) C0 PFOA/PFOS Free MaterialCoatingNone MaterialLaminateNone 38.0 g/m2 Piece Dye/Jet NA		0.34 yd	56.0	0
Interfacing 1	110671 Recycled Interlining Sew-In Non-Woven Lightweight Soft SAME AS VIRGIN VERSION 011958 Interlining 80% Recycled Polyester, 20% Viscose 30.0 g/m2		0.04 yd	39.0	0
Insulation 1	113362 Recycled Thermarator Non Woven 100% Recycled Polyester 0.0 g/m2		0.13 kg	0.0	0
Drawcord-Cording-Laces 1	008166 1.5mm non stretch drawcord w/ticks 2 clr (ECO version use 082935)	zip pullers at CF (1), hand pkts (2)	0.63 yd	0.0	0
Label Logo 1	059197 USE ONLY FOR ALL ADULT sizes AND YOUTH S-XL 42mm x 8mm Lightweight Stripe woven ECO Hanger Loop DOWN 2 clr other colors w Director approval only		1 ea	0.0	0
Label Logo 2	061152 3mm Non stretch Interchange Drawcord for hanger loop 2 clr		1 ea	0.0	0
Screen Print 1	014454 64mm (B) Bug Columbia Logo Screenprint 1 clr Width: 64.0 Height: 11.6		1 ea	0.0	0
Thread 1	060282 Coats Epic Tex 30 thread	For Top and Bottom stitch	103 meter	0.0	0
Thread 2	079632 Coats Epic Tex 24	For Quilting	60 meter	0.0	0
Thread 3	008214 Coats ASTRA Spun Polyester Tex 27 40/2	For Overlock	500 meter	0.0	0
Webbing and Tape 1	360183 3/4 in W Foldover (3/8 to show) Woven Stretch Binding 1 clr FOR CAN STYLES PRODUCED IN VN use 110808 Width: 0.75	top edge of collar	0.61 yd	0.0	0
Webbing and Tape 2	360183 3/4 in W Foldover (3/8 to show) Woven Stretch Binding 1 clr FOR CAN STYLES PRODUCED IN VN use 110808 Width: 0.75	armhole	1.27 yd	0.0	0
Webbing and Tape 3	360183 3/4 in W Foldover (3/8 to show) Woven Stretch Binding 1 clr FOR CAN STYLES PRODUCED IN VN use 110808 Width: 0.75	top edge of hand pocket bags	0.514 yd	0.0	0

## Colorless BOM - F4WO212572-1 W Oak Ridge Interchange Jkt-Upd

Line Slot: Oak Ridge II Interchange Jacket      State: Production      Season: F24      Designer: mmejia

Style	Style Description	Design	Pattern	Base Size	Size Scale	Fit	SMU Type	Sample LO	Production LO
XL5746	Oak Ridge™ II Interchange Jacket	F4WO212 539		unassigned		Regular	Style Add		India
F4WO212 572-1	W Oak Ridge Interchange Jkt-Upd	F4WO212 572	L22L2074	M	XS - XXL	Regular	N/A		
F4WO212 571-1	W Oak Ridge Interchange Jkt-Upd	F4WO212 571	L22L2073	M	XS - XXL	Regular	N/A		



Component	Details	Placement	Usage	Width	Marker Width
<b>SAP Material Code</b>					
Zipper 1	126946 VSOL-58 DU E OpenEnd Left-in Reversible AutoLk FlipOver Enml Sldr/PI metal content Length: 8.0	CF - 1	1 ea	0.0	0
Zipper 2	056079 CFC-36 DALH H3 T-B-0 Clsd AutoLk Lg Hole PI AntSilver Sldr/PI No Stps Metal content Length: 4.0	hands - 2	2 ea	0.0	0
Label 1	060475 40mm Interchange Woven ECO Size Label w/ Gem CSC to be used with 059197 Hanger Loop		1 ea	0.0	0
Label 2	067533 33mm Patent Care Content like 006564 ECO Booklet Fold label COO / wht/blk and Blk/White		1 ea	0.0	0
Packaging 1	980001 Polybag See Standard CCS 4200 for specifications		1 ea	0.0	0
Packaging 2	980010 UPC Bag Sticker Generic (MHW/Columbia) See CCS4400/ 4401 and MHW4402 for Mt Hardware for instructions		1 ea	0.0	0
Packaging 3	064194 Outer Carton for costing purpose only	only for the liner jkt to be sold alone.	1 ea	0.0	0

This is confidential and proprietary information of Columbia Sportswear Company. You agree that you will not disclose this information to any third party or use it for any purpose other than on behalf of Columbia. You have no right to use Columbia's name or any of its trademarks, trade names, copyrights, patents, designs or other intellectual property except as set forth in writing by Columbia.

## Color Specification - F4WO212571-1 W Oak Ridge Interchange Jkt-Upd

Line Slot: Oak Ridge II Interchange Jacket		State: Production		Season: F24		Designer: mmejia			
Style	Style Description	Design	Pattern	Base Size	Size Scale	Fit	SMU Type	Sample LO	Production LO
XL5746	Oak Ridge™ II Interchange Jacket	F4WO212539		unassigned		Regular	Style Add		India
F4WO212572-1	W Oak Ridge Interchange Jkt-Upd	F4WO212572	L22L2074	M	XS - XXL	Regular	N/A		
F4WO212571-1	W Oak Ridge Interchange Jkt-Upd	F4WO212571	L22L2073	M	XS - XXL	Regular	N/A		



Component - Material	010-Black	224-Camel Brown	278-Dark Stone	397-Stone Green	466-Nocturnal	607-Moonvista
Shell 1 - 122392	Black	Camel Brown	Dark Stone	Stone Green	Nocturnal	Moonvista
Drawcord-Cording-Laces 1 - 380083						
Eyelets-Grommets 1 - 077468						
Hook 1 - 460003						
Hook 2 - 460003						
Loop 1 - 460038						
Loop 2 - 460004						
Zipper 1 - 127290						
Zipper 2 - 126820						
Zipper 3 - 126909						
Zipper 4 - 126945						
Lining 1 - 072367	Black	Camel Brown	Dark Stone	Shark	Collegiate Navy	Moonvista
Lining 2 - 004476						
Lining 3 - 032201						
Interfacing 1 - 110671	White	White	White	White	White	White
Scrim 1 - 300119						
Insulation 1 - 106322	Clear	Clear	Clear	Clear	Clear	Clear
Adhesive 1 - 053401						
Washer 1 - 002614	Black, Grill	Black, Grill	Grill, Columbia Grey	Black, Grill	Collegiate Navy, Columbia Grey	Black, Grill
Drawcord-Cording-Laces 2 - 008166						
Heat Transfer Glued 1 - 028904						
Heat Transfer Glued 2 - 095113						
Label Logo 1 - 059197						
Snaps 1 - 480101	DTM	DTM	DTM	DTM	DTM	DTM
Thread 1 - 060282						
Thread 2 - 008214						
Toggle 1 - 002544						
Webbing and Tape 1 - 004611	Black	Black	Grill	Black	Collegiate Navy	Black
Webbing and Tape 2 - 004611						
Label 1 - 059203	White, Columbia Grey, Compass Blue	White, Columbia Grey, Compass Blue	White, Columbia Grey, Compass Blue	White, Columbia Grey, Compass Blue	White, Columbia Grey, Compass Blue	White, Columbia Grey, Compass Blue
Label 2 - 060471						
Label 3 - 067533						
Hangtag Package Part - 097129	Artwork	Artwork	Artwork	Artwork	Artwork	Artwork
Hangtag Package Part - 126967						
Hangtag Package Part - 121612						
Packaging 2 - 980010						

### Color Specification - F4WO212571-1 W Oak Ridge Interchange Jkt-Upd

Line Slot: Oak Ridge II Interchange Jacket			State: Production		Season: F24		Designer: mmejia		
Style	Style Description	Design	Pattern	Base Size	Size Scale	Fit	SMU Type	Sample LO	Production LO
XL5746	Oak Ridge™ II Interchange Jacket	F4WO212539		unassigned		Regular	Style Add		India
F4WO212572-1	W Oak Ridge Interchange Jkt-Upd	F4WO212572	L22L2074	M	XS - XXL	Regular	N/A		
F4WO212571-1	W Oak Ridge Interchange Jkt-Upd	F4WO212571	L22L2073	M	XS - XXL	Regular	N/A		



Component - Material	010-Black	224-Camel Brown	278-Dark Stone	397-Stone Green	466-Nocturnal	607-Moonvista
Packaging 1 - 980001	Stock	Stock	Stock	Stock	Stock	Stock
Packaging 3 - 064194						

This is confidential and proprietary information of Columbia Sportswear Company. You agree that you will not disclose this information to any third party or use it for any purpose other than on behalf of Columbia. You have no right to use Columbia's name or any of its trademarks, trade names, copyrights, patents, designs or other intellectual property except as set forth in writing by Columbia.

## Color Specification - F4WO212572-1 W Oak Ridge Interchange Jkt-Upd

Line Slot: Oak Ridge II Interchange Jacket		State: Production		Season: F24		Designer: mmejia			
Style	Style Description	Design	Pattern	Base Size	Size Scale	Fit	SMU Type	Sample LO	Production LO
XL5746	Oak Ridge™ II Interchange Jacket	F4WO212539		unassigned		Regular	Style Add		India
F4WO212572-1	W Oak Ridge Interchange Jkt-Upd	F4WO212572	L22L2074	M	XS - XXL	Regular	N/A		
F4WO212571-1	W Oak Ridge Interchange Jkt-Upd	F4WO212571	L22L2073	M	XS - XXL	Regular	N/A		



Component - Material	010-Black	262-Canoe	278-Dark Stone	348-Safari	581-Snowdrift	609-Fig
Shell 1 - 105825	Black	Canoe	Dark Stone	Safari	Snowdrift	Fig
Shell 2 - 119437						
Lining 1 - 073148						
Lining 2 - 072367						
Lining 3 - 032201						
Binding 1 - 119437						
Webbing and Tape 1 - 360183						
Webbing and Tape 2 - 360183						
Webbing and Tape 3 - 360183						
Zipper 1 - 126946						
Zipper 2 - 056079						
Interfacing 1 - 110671	White	White	White	White	White	White
Insulation 1 - 113362	White	White	White	White	White	White
Drawcord-Cording-Laces 1 - 008166	Black, Grill	Grill, Columbia Grey	Grill, Columbia Grey	Grill, Columbia Grey	Columbia Grey, Grill	Grill, Columbia Grey
Label Logo 2 - 061152	Black, Grill	Grill, Columbia Grey	Grill, Columbia Grey	Grill, Columbia Grey	Columbia Grey, Grill	Grill, Columbia Grey
Label Logo 1 - 059197	Columbia Grey, Grill	Columbia Grey, Grill	Columbia Grey, Grill	Columbia Grey, Grill	Columbia Grey, Grill	Columbia Grey, Grill
Screen Print 1 - 014454	Columbia Grey	Grill	Grill	Grill	Grill	Grill
Thread 1 - 060282	DTM	DTM	DTM	DTM	DTM	DTM
Thread 2 - 079632						
Thread 3 - 008214						
Label 1 - 060475	White, Columbia Grey, Compass Blue	White, Columbia Grey, Compass Blue	White, Columbia Grey, Compass Blue	White, Columbia Grey, Compass Blue	White, Columbia Grey, Compass Blue	White, Columbia Grey, Compass Blue
Label 2 - 067533	White, Black	White, Black	White, Black	White, Black	White, Black	White, Black
Packaging 1 - 980001	Stock	Stock	Stock	Stock	Stock	Stock
Packaging 3 - 064194	Stock	Stock	Stock	Stock	Stock	Stock
Packaging 2 - 980010	Artwork	Artwork	Artwork	Artwork	Artwork	Artwork

This is confidential and proprietary information of Columbia Sportswear Company. You agree that you will not disclose this information to any third party or use it for any purpose other than on behalf of Columbia. You have no right to use Columbia's name or any of its trademarks, trade names, copyrights, patents, designs or other intellectual property except as set forth in writing by Columbia.

### Costing BOM

Line Slot: Oak Ridge II Interchange Jacket				State: Production		Season: F24		Designer: mmejia	
Style	Style Description	Design	Pattern	Base Size	Size Scale	Fit	SMU Type	Sample LO	Production LO
XL5746	Oak Ridge™ II Interchange Jacket	F4WO212539		unassigned		Regular	Style Add		India
F4WO212572-1	W Oak Ridge Interchange Jkt-Upd	F4WO212572	L22L2074	M	XS - XXL	Regular	N/A		
F4WO212571-1	W Oak Ridge Interchange Jkt-Upd	F4WO212571	L22L2073	M	XS - XXL	Regular	N/A		



Sub Style	Season	State	Design	Description
F4WO212571-1	F24	Production	F4WO212571	W Oak Ridge Interchange Jkt-Upd

Colorway Number	Color Way	FOB Material	CIF Material	FOB Trim	CIF Trim	Allowance %	Total FOB	Total CIF
010	Black	10.887	0.000	3.069	0.000	0.0	13.956	0.000
224	Camel Brown	10.887	0.000	3.069	0.000	0.0	13.956	0.000
278	Dark Stone	10.887	0.000	3.069	0.000	0.0	13.956	0.000
397	Stone Green	10.887	0.000	3.069	0.000	0.0	13.956	0.000
466	Nocturnal	10.887	0.000	3.069	0.000	0.0	13.956	0.000
607	Moonvista	10.887	0.000	3.069	0.000	0.0	13.956	0.000



### Costing BOM

Line Slot: Oak Ridge II Interchange Jacket		State: Production		Season: F24		Designer: mmejia			
Style	Style Description	Design	Pattern	Base Size	Size Scale	Fit	SMU Type	Sample LO	Production LO
XL5746	Oak Ridge™ II Interchange Jacket	F4WO212539		unassigned		Regular	Style Add		India
F4WO212572-1	W Oak Ridge Interchange Jkt-Upd	F4WO212572	L22L2074	M	XS - XXL	Regular	N/A		
F4WO212571-1	W Oak Ridge Interchange Jkt-Upd	F4WO212571	L22L2073	M	XS - XXL	Regular	N/A		



Component	Material	Description	Fabric Width	Supplier	Locked	Country of Origin	Managin g Liaison Office	UoM	Target Cost	FOB Unit Cost	CIF Unit Cost	Usage	Wastage %	Total FOB	Total CIF
Shell 1	122392	PFC Free Version of 096405 Good Level Mechanical Stretch MP Lam	56.0	Shanghai Jiuyu Textile Technology Co Ltd	N	China	Taiwan-Taipei	yd	0.0	3.8	0.0	1.970	3	7.711	0.000
Lining 1	072367	Windbreaker Dyed Only	56.0	Shanghai Jiuyu Textile Technology Co Ltd	N	China	Taiwan-Taipei	yd	1.15	1.1	0.0	1.450	3	1.643	0.000
Lining 2	004476	FOR POCKETING AND YOUTH STYLES ONLY Chamois Touch Tricot	60.0	Haren Textiles Pvt. Ltd.	Y	India	India	yd	0.0	0.68	0.0	0.290	7	0.211	0.000

### Costing BOM

Line Slot: Oak Ridge II Interchange Jacket		State: Production		Season: F24		Designer: mmejia			
Style	Style Description	Design	Pattern	Base Size	Size Scale	Fit	SMU Type	Sample LO	Production LO
XL5746	Oak Ridge™ II Interchange Jacket	F4WO212539		unassigned		Regular	Style Add		India
F4WO212572-1	W Oak Ridge Interchange Jkt-Upd	F4WO212572	L22L2074	M	XS - XXL	Regular	N/A		
F4WO212571-1	W Oak Ridge Interchange Jkt-Upd	F4WO212571	L22L2073	M	XS - XXL	Regular	N/A		



Component	Material	Description	Fabric Width	Supplier	Locked	Country of Origin	Managin g Liaison Office	UoM	Target Cost	FOB Unit Cost	CIF Unit Cost	Usage	Wastage %	Total FOB	Total CIF
Lining 3	032201	Abrasion Resist Brushed Tricot	60.0	Huge-Bamboo Enterprise Co., Ltd.	N	Vietnam	Taiwan-Taipei	yd	2.5	2.38	0.0	0.030	7	0.076	0.000
Interfacing 1	110671	Recycled Interlining Sew-In Non-Woven Lightweight Soft SAME AS VIRGIN VERSION 011958	39.0	Freudenberg-Hong Kong	N	Taiwan	Taiwan-Taipei	yd	0.0	0.27	0.0	0.200	3	0.056	0.000
Scrim 1	300119	Scrim 15 g m2	60.0	Shinih-Vietnam	Y	Vietnam	Taiwan-Taipei	yd	0.0	0.17	0.0	1.550	3	0.271	0.000
Insulation 1	106322	CSM3 Recycled Microtemp 40gsm	60.0	Shinih-Taiwan	N	unassigned	Taiwan-Taipei	yd	0.0	0.39	0.0	1.580	3	0.635	0.000

### Costing BOM

Line Slot: Oak Ridge II Interchange Jacket				State: Production		Season: F24		Designer: mmejia	
Style	Style Description	Design	Pattern	Base Size	Size Scale	Fit	SMU Type	Sample LO	Production LO
XL5746	Oak Ridge™ II Interchange Jacket	F4WO212539		unassigned		Regular	Style Add		India
F4WO212572-1	W Oak Ridge Interchange Jkt-Upd	F4WO212572	L22L2074	M	XS - XXL	Regular	N/A		
F4WO212571-1	W Oak Ridge Interchange Jkt-Upd	F4WO212571	L22L2073	M	XS - XXL	Regular	N/A		



Component	Material	Description	Fabric Width	Supplier	Locked	Country of Origin	Managin g Liaison Office	UoM	Target Cost	FOB Unit Cost	CIF Unit Cost	Usage	Wastage %	Total FOB	Total CIF
Adhesive 1	053401	Do not use after S25 season use PDM 127440 S25 season forward 2L Seam Seal Tape Bemis ST-503 Clear 20mm 3mil	0.75	Bemis	N	USA	Taiwan-Taipei	yd	0.0	0.045	<b>0.0</b>	6.000	5.0	0.284	<b>0.000</b>
Drawcord-Cording-Laces 1	380083	2.5mm OD Stretch Drawcord Polyester/ 1 color	<b>0.0</b>	Paiho Global	N	Taiwan	Taiwan-Taipei	yd	0.0	0.058	<b>0.0</b>	0.950	7.0	0.059	<b>0.000</b>
Drawcord-Cording-Laces 2	008166	1.5mm non stretch drawcord w/ticks 2 clr (ECO version use 082935)	<b>0.0</b>	FGV - Shahi Exports Pvt. (SEP) Ltd.	Y	India	India	yd	0.0	0.0456	<b>0.0</b>	0.840	7.0	0.041	<b>0.000</b>

### Costing BOM

Line Slot: Oak Ridge II Interchange Jacket		State: Production		Season: F24		Designer: mmejia			
Style	Style Description	Design	Pattern	Base Size	Size Scale	Fit	SMU Type	Sample LO	Production LO
XL5746	Oak Ridge™ II Interchange Jacket	F4WO212539		unassigned		Regular	Style Add		India
F4WO212572-1	W Oak Ridge Interchange Jkt-Upd	F4WO212572	L22L2074	M	XS - XXL	Regular	N/A		
F4WO212571-1	W Oak Ridge Interchange Jkt-Upd	F4WO212571	L22L2073	M	XS - XXL	Regular	N/A		



Component	Material	Description	Fabric Width	Supplier	Locked	Country of Origin	Managin g Liaison Office	UoM	Target Cost	FOB Unit Cost	CIF Unit Cost	Usage	Wastage %	Total FOB	Total CIF
Eyelets-Grommets 1	077468	3.5mmID metal eyelet W ENAMEL FINISH for metal finish use 056424	0.0	Unitex International Button Accessories Ltd	N	China	Portland	set	0.0	0.01753	0.0	6.000	0.0	0.105	0.000
Heat Transfer Glued 1	028904	64mm (B) columbia and Bug Logo heat transfer 1 clr	0.0	Stapros	N	Taiwan	Taiwan-Taipei	ea	0.0	0.065	0.0	1.000	2.0	0.066	0.000
Heat Transfer Glued 2	095113	57mm Omni Tech Wordmark (B) Heat Transfer	0.0	Stapros	N	Taiwan	Taiwan-Taipei	ea	0.0	0.039	0.0	1.000	2.0	0.040	0.000
Hook 1	460003	3/4in (20mm) Linear Hook/ two side edge 1clr	0.0	Paiho Global	N	Taiwan	Taiwan-Taipei	yd	0.0	0.153	0.0	0.111	5.0	0.018	0.000
Hook 2	460003	3/4in (20mm) Linear Hook/ two side edge 1clr	0.0	Paiho Global	N	Taiwan	Taiwan-Taipei	yd	0.0	0.153	0.0	0.056	5.0	0.009	0.000

### Costing BOM

Line Slot: Oak Ridge II Interchange Jacket		State: Production		Season: F24		Designer: mmejia			
Style	Style Description	Design	Pattern	Base Size	Size Scale	Fit	SMU Type	Sample LO	Production LO
XL5746	Oak Ridge™ II Interchange Jacket	F4WO212539		unassigned		Regular	Style Add		India
F4WO212572-1	W Oak Ridge Interchange Jkt-Upd	F4WO212572	L22L2074	M	XS - XXL	Regular	N/A		
F4WO212571-1	W Oak Ridge Interchange Jkt-Upd	F4WO212571	L22L2073	M	XS - XXL	Regular	N/A		



Component	Material	Description	Fabric Width	Supplier	Locked	Country of Origin	Managing Liaison Office	UoM	Target Cost	FOB Unit Cost	CIF Unit Cost	Usage	Wastage %	Total FOB	Total CIF
Label Logo 1	059197	USE ONLY FOR ALL ADULTSIZES AND YOUTH S-XL 42mm x 8mm Lightweight Stripe woven ECO Hanger Loop DOWN 2 clr other colors w Director approval only	0.0	Avery Dennison Global	N	China	Portland	ea	0.0	0.02823	0.0	1.000	5.0	0.030	0.000
Loop 1	460038	3/4in x 3-3/4in Rounded Corner Die Cut Loop 1clr (use w/ 002829)	0.0	Paiho Global	N	Taiwan	Taiwan-Taipei	ea	0.0	0.04	0.0	2.000	5.0	0.084	0.000
Loop 2	460004	3/4in (20mm) Linear Loop/two side edge 1clr	0.0	Paiho Global	N	Taiwan	Taiwan-Taipei	yd	0.0	0.153	0.0	0.088	5.0	0.014	0.000

### Costing BOM

Line Slot: Oak Ridge II Interchange Jacket		State: Production		Season: F24		Designer: mmejia			
Style	Style Description	Design	Pattern	Base Size	Size Scale	Fit	SMU Type	Sample LO	Production LO
XL5746	Oak Ridge™ II Interchange Jacket	F4WO212539		unassigned		Regular	Style Add		India
F4WO212572-1	W Oak Ridge Interchange Jkt-Upd	F4WO212572	L22L2074	M	XS - XXL	Regular	N/A		
F4WO212571-1	W Oak Ridge Interchange Jkt-Upd	F4WO212571	L22L2073	M	XS - XXL	Regular	N/A		



Component	Material	Description	Fabric Width	Supplier	Locked	Country of Origin	Managin g Liaison Office	UoM	Target Cost	FOB Unit Cost	CIF Unit Cost	Usage	Wastage %	Total FOB	Total CIF
Snaps 1	480101	16L Metal flat Cap/Skt/Stud/Pos t prong snap set...For adjustment extra Cap/Socket PDM 019746 For adjustment Stud/post use 114462 1clr finish CAN BE USED FOR YOUTH	0.0	Unitex Internatio nal Button Accessori es Ltd	N	China	Portland	set	0.0	0.05326	0.0	3.000	3.0	0.165	0.000
Thread 1	060282	Coats Epic Tex 30 thread	0.0	Coats Global Thread	N	unassigne d	Portland	meter	0.0	0.00048	0.0	365.000	5.0	0.184	0.000
Thread 2	008214	Coats ASTRA Spun Polyester Tex 27 40/2	0.0	Coats Global Thread	N	unassigne d	Portland	meter	0.0	0.0003	0.0	296.000	5.0	0.093	0.000

### Costing BOM

Line Slot: Oak Ridge II Interchange Jacket		State: Production		Season: F24		Designer: mmejia			
Style	Style Description	Design	Pattern	Base Size	Size Scale	Fit	SMU Type	Sample LO	Production LO
XL5746	Oak Ridge™ II Interchange Jacket	F4WO212539		unassigned		Regular	Style Add		India
F4WO212572-1	W Oak Ridge Interchange Jkt-Upd	F4WO212572	L22L2074	M	XS - XXL	Regular	N/A		
F4WO212571-1	W Oak Ridge Interchange Jkt-Upd	F4WO212571	L22L2073	M	XS - XXL	Regular	N/A		



Component	Material	Description	Fabric Width	Supplier	Locked	Country of Origin	Managin g Liaison Office	UoM	Target Cost	FOB Unit Cost	CIF Unit Cost	Usage	Wastage %	Total FOB	Total CIF
Toggle 1	002544	3.5mm ID Sew-in Friction Cord Stopper (Set of Right / left) 1 clr (due to material content trim cannot be done in clear color)	0.0	Unitex International Button Accessories Ltd	N	China	Portland	set	0.0	0.06254	0.0	1.000	2.0	0.000	0.000
Washer 1	002614	Plastic Washer (Polyurethane) (use on all Snap Stud and Post or Eyelets if needed) Clear CAN BE USED FOR YOUTH	0.0	Unitex International Button Accessories Ltd	N	China	Portland	ea	0.0	0.00592	0.0	9.000	3.0	0.055	0.000
Webbing and Tape 1	004611	5/8 in Grosgrain Tape, Poly 1 clr	0.0	Paiho Global	N	Taiwan	Taiwan-Taipei	yd	0.0	0.122	0.0	0.208	7.0	0.027	0.000
Webbing and Tape 2	004611	5/8 in Grosgrain Tape, Poly 1 clr	0.0	Paiho Global	N	Taiwan	Taiwan-Taipei	yd	0.0	0.122	0.0	0.160	7.0	0.021	0.000

### Costing BOM

Line Slot: Oak Ridge II Interchange Jacket		State: Production		Season: F24		Designer: mmejia			
Style	Style Description	Design	Pattern	Base Size	Size Scale	Fit	SMU Type	Sample LO	Production LO
XL5746	Oak Ridge™ II Interchange Jacket	F4WO212539		unassigned		Regular	Style Add		India
F4WO212572-1	W Oak Ridge Interchange Jkt-Upd	F4WO212572	L22L2074	M	XS - XXL	Regular	N/A		
F4WO212571-1	W Oak Ridge Interchange Jkt-Upd	F4WO212571	L22L2073	M	XS - XXL	Regular	N/A		



Component	Material	Description	Fabric Width	Supplier	Locked	Country of Origin	Managin g Liaison Office	UoM	Target Cost	FOB Unit Cost	CIF Unit Cost	Usage	Wastage %	Total FOB	Total CIF
Zipper 1	127290	CNFOL-56 DABLH E P-TOP BOSUI REVERSE Open L-in AutoLk Enamel LgHolePI PlasticTopStop BOSUI WtrRep finish RevCoil (PFAS free version of 009136)	0.0	Ideal Fastener Global	N	unassigne d	Portland	ea	0.0	0.4504	0.0	1.000	1.0	0.679	0.000
Zipper 2	126820	CFC-36 DABLH6 EF T-B-0 REVERSE Clsd AutoLk LargeHole MatteEnml Slidr/PI NoStps RevCoil metal content	0.0	Ideal Fastener Global	N	unassigne d	Portland	ea	0.0	0.1093	0.0	2.000	1.0	0.257	0.000



### Costing BOM

Line Slot: Oak Ridge II Interchange Jacket		State: Production		Season: F24		Designer: mmejia			
Style	Style Description	Design	Pattern	Base Size	Size Scale	Fit	SMU Type	Sample LO	Production LO
XL5746	Oak Ridge™ II Interchange Jacket	F4WO212539		unassigned		Regular	Style Add		India
F4WO212572-1	W Oak Ridge Interchange Jkt-Upd	F4WO212572	L22L2074	M	XS - XXL	Regular	N/A		
F4WO212571-1	W Oak Ridge Interchange Jkt-Upd	F4WO212571	L22L2073	M	XS - XXL	Regular	N/A		



Component	Material	Description	Fabric Width	Supplier	Locked	Country of Origin	Managin g Liaison Office	UoM	Target Cost	FOB Unit Cost	CIF Unit Cost	Usage	Wastage %	Total FOB	Total CIF
Zipper 3	126909	Clsd AutoLk Large Hole PI Enml Sldr/PI Bosui WtrRep Tape NoStps RevCoil Metal content CNFC-56 DABLH E WATER-J T-B-0 REVERSE	0.0	Ideal Fastener Global	N	unassigne d	Portland	ea	0.0	0.45	0.0	1.000	1.0	0.490	0.000
Zipper 4	126945	VSOR-56 DA E OpenEnd Right-in AutoLock Enml Sldr/PI Same as Ideal 015802	0.0	Ideal Fastener Global	N	unassigne d	Portland	ea	0.0	0.229	0.0	1.000	1.0	0.415	0.000
Label 1	059203	62.5mm "B size" CSC End Fold Woven Label	0.0	Avery Dennison Global	N	China	Portland	ea	0.0	0.03967	0.0	1.000	3.0	0.041	0.000

### Costing BOM

Line Slot: Oak Ridge II Interchange Jacket		State: Production		Season: F24		Designer: mmejia			
Style	Style Description	Design	Pattern	Base Size	Size Scale	Fit	SMU Type	Sample LO	Production LO
XL5746	Oak Ridge™ II Interchange Jacket	F4WO212539		unassigned		Regular	Style Add		India
F4WO212572-1	W Oak Ridge Interchange Jkt-Upd	F4WO212572	L22L2074	M	XS - XXL	Regular	N/A		
F4WO212571-1	W Oak Ridge Interchange Jkt-Upd	F4WO212571	L22L2073	M	XS - XXL	Regular	N/A		



Component	Material	Description	Fabric Width	Supplier	Locked	Country of Origin	Managin g Liaison Office	UoM	Target Cost	FOB Unit Cost	CIF Unit Cost	Usage	Wastage %	Total FOB	Total CIF
Label 2	060471	32mm Interchange ECO Woven Size Label w/ Gem Logo	0.0	Avery Dennison Global	N	China	Portland	ea	0.0	0.03754	0.0	1.000	3.0	0.039	0.000
Label 3	067533	33mm Patent Care Content like 006564 ECO Booklet Fold label COO / wht/blk and Blk/White	0.0	Avery Dennison Global	N	China	Portland	ea	0.0	0.0226	0.0	1.000	3.0	0.023	0.000
Hangtag Package Part	126967	Regular Fit Swing Tag	0.0	Hang Sang Press Co. Ltd	N	unassigne d	Portland	ea	0.0	0.023	0.0	1.000	3.0	0.024	0.000

### Costing BOM

Line Slot: Oak Ridge II Interchange Jacket		State: Production		Season: F24		Designer: mmejia			
Style	Style Description	Design	Pattern	Base Size	Size Scale	Fit	SMU Type	Sample LO	Production LO
XL5746	Oak Ridge™ II Interchange Jacket	F4WO212539		unassigned		Regular	Style Add		India
F4WO212572-1	W Oak Ridge Interchange Jkt-Upd	F4WO212572	L22L2074	M	XS - XXL	Regular	N/A		
F4WO212571-1	W Oak Ridge Interchange Jkt-Upd	F4WO212571	L22L2073	M	XS - XXL	Regular	N/A		



Component	Material	Description	Fabric Width	Supplier	Locked	Country of Origin	Managing Liaison Office	UoM	Target Cost	FOB Unit Cost	CIF Unit Cost	Usage	Wastage %	Total FOB	Total CIF
Hangtag Package Part	121612	MSRP/UPC with RFID Specs for MSRP. Please refer to VAS specs for any exceptions. MSRP required on all product shipping to the US.	0.0	Avery Dennison Global	N	unassigned	Portland	ea	0.0	0.04875	0.0	1.000	5.0	0.051	0.000
Hangtag Package Part	097129	Columbia Omni-Heat Reflective, Omni-Tech, Interchange Compatible Hangtag	0.0	Bao Shen (Apparel)	N	unassigned	Portland	ea	0.0	0.024	0.0	1.000	3.0	0.025	0.000
Packaging 1	980001	Polybag See Standard CCS 4200 for specifications	0.0	Contractor	N	unassigned	Hong Kong	ea	0.0	0.0	0.0	1.000	3.0	0.000	0.000

### Costing BOM

Line Slot: Oak Ridge II Interchange Jacket		State: Production		Season: F24		Designer: mmejia			
Style	Style Description	Design	Pattern	Base Size	Size Scale	Fit	SMU Type	Sample LO	Production LO
XL5746	Oak Ridge™ II Interchange Jacket	F4WO212539		unassigned		Regular	Style Add		India
F4WO212572-1	W Oak Ridge Interchange Jkt-Upd	F4WO212572	L22L2074	M	XS - XXL	Regular	N/A		
F4WO212571-1	W Oak Ridge Interchange Jkt-Upd	F4WO212571	L22L2073	M	XS - XXL	Regular	N/A		



Component	Material	Description	Fabric Width	Supplier	Locked	Country of Origin	Managing Liaison Office	UoM	Target Cost	FOB Unit Cost	CIF Unit Cost	Usage	Wastage %	Total FOB	Total CIF
Packaging 2	980010	UPC Bag Sticker Generic (MHW/Columbia) See CCS4400/4401 and MHW4402 for Mt Hardware for instructions	0.0	Avery Dennison Global	Y	China	Portland	ea	0.0	0.01323	0.0	1.000	5.0	0.014	0.000
Packaging 3	064194	Outer Carton for costing purpose only	0.0	Contractor	N	unassigned	Hong Kong	ea	0.0	0.0	0.0	1.000	3.0	0.000	0.000

### Costing BOM

Line Slot: Oak Ridge II Interchange Jacket				State: Production		Season: F24		Designer: mmejia	
Style	Style Description	Design	Pattern	Base Size	Size Scale	Fit	SMU Type	Sample LO	Production LO
XL5746	Oak Ridge™ II Interchange Jacket	F4WO212539		unassigned		Regular	Style Add		India
F4WO212572-1	W Oak Ridge Interchange Jkt-Upd	F4WO212572	L22L2074	M	XS - XXL	Regular	N/A		
F4WO212571-1	W Oak Ridge Interchange Jkt-Upd	F4WO212571	L22L2073	M	XS - XXL	Regular	N/A		



Sub Style	Season	State	Design	Description
F4WO212572-1	F24	Production	F4WO212572	W Oak Ridge Interchange Jkt-Upd

Colorway Number	Color Way	FOB Material	CIF Material	FOB Trim	CIF Trim	Allowance %	Total FOB	Total CIF
010	Black	5.597	0.000	1.606	0.200	0.0	7.203	0.200
262	Canoe	5.597	0.000	1.606	0.200	0.0	7.203	0.200
278	Dark Stone	5.597	0.000	1.606	0.200	0.0	7.203	0.200
348	Safari	5.597	0.000	1.606	0.200	0.0	7.203	0.200
581	Snowdrift	5.597	0.000	1.606	0.200	0.0	7.203	0.200
609	Fig	5.597	0.000	1.606	0.200	0.0	7.203	0.200

### Costing BOM

Line Slot: Oak Ridge II Interchange Jacket		State: Production		Season: F24		Designer: mmejia			
Style	Style Description	Design	Pattern	Base Size	Size Scale	Fit	SMU Type	Sample LO	Production LO
XL5746	Oak Ridge™ II Interchange Jacket	F4WO212539		unassigned		Regular	Style Add		India
F4WO212572-1	W Oak Ridge Interchange Jkt-Upd	F4WO212572	L22L2074	M	XS - XXL	Regular	N/A		
F4WO212571-1	W Oak Ridge Interchange Jkt-Upd	F4WO212571	L22L2073	M	XS - XXL	Regular	N/A		



Component	Material	Description	Fabric Width	Supplier	Locked	Country of Origin	Managin g Liaison Office	UoM	Target Cost	FOB Unit Cost	CIF Unit Cost	Usage	Wastage %	Total FOB	Total CIF
Shell 1	105825	PFC Free Warp Stretch Max Softshell with Brushed Back (310 gsm)	59.0	Apex Textile Co. Ltd.	N	China	Taiwan-Taipei	yd	0.0	4.45	<b>0.0</b>	0.340	3	1.558	<b>0.000</b>
Shell 2	119437	PFC Free Version of 077939 Matte Turbodown	56.0	Shin Han Ind. Co. Ltd.	N	South Korea	Taiwan-Taipei	yd	0.0	2.1	<b>0.0</b>	0.700	3	1.514	<b>0.000</b>
Lining 1	073148	Windbreaker Cire Face Better OHR foil print Lining	56.0	Shanghai Jiuyu Textile Technology Co Ltd	N	China	Taiwan-Taipei	yd	2.08	2.03	<b>0.0</b>	0.480	3	1.004	<b>0.000</b>
Lining 2	072367	Windbreaker Dyed Only	56.0	Shanghai Jiuyu Textile Technology Co Ltd	N	China	Taiwan-Taipei	yd	1.15	1.1	<b>0.0</b>	0.210	5	0.243	<b>0.000</b>

### Costing BOM

Line Slot: Oak Ridge II Interchange Jacket		State: Production		Season: F24		Designer: mmejia			
Style	Style Description	Design	Pattern	Base Size	Size Scale	Fit	SMU Type	Sample LO	Production LO
XL5746	Oak Ridge™ II Interchange Jacket	F4WO212539		unassigned		Regular	Style Add		India
F4WO212572-1	W Oak Ridge Interchange Jkt-Upd	F4WO212572	L22L2074	M	XS - XXL	Regular	N/A		
F4WO212571-1	W Oak Ridge Interchange Jkt-Upd	F4WO212571	L22L2073	M	XS - XXL	Regular	N/A		



Component	Material	Description	Fabric Width	Supplier	Locked	Country of Origin	Managin g Liaison Office	UoM	Target Cost	FOB Unit Cost	CIF Unit Cost	Usage	Wastage %	Total FOB	Total CIF
Lining 3	032201	Abrasion Resist Brushed Tricot	60.0	Huge-Bamboo Enterprise Co., Ltd.	N	Vietnam	Taiwan-Taipei	yd	2.5	2.38	0.0	0.012	7	0.031	0.000
Binding 1	119437	PFC Free Version of 077939 Matte Turbodown	56.0	Shin Han Ind. Co. Ltd.	N	South Korea	Taiwan-Taipei	yd	0.0	2.1	0.0	0.340	3	0.735	0.000
Interfacing 1	110671	Recycled Interlining Sew-In Non-Woven Lightweight Soft SAME AS VIRGIN VERSION 011958	39.0	Freudenb erg-Hong Kong	N	Taiwan	Taiwan-Taipei	yd	0.0	0.27	0.0	0.040	3	0.011	0.000

### Costing BOM

Line Slot: Oak Ridge II Interchange Jacket		State: Production		Season: F24		Designer: mmejia			
Style	Style Description	Design	Pattern	Base Size	Size Scale	Fit	SMU Type	Sample LO	Production LO
XL5746	Oak Ridge™ II Interchange Jacket	F4WO212539		unassigned		Regular	Style Add		India
F4WO212572-1	W Oak Ridge Interchange Jkt-Upd	F4WO212572	L22L2074	M	XS - XXL	Regular	N/A		
F4WO212571-1	W Oak Ridge Interchange Jkt-Upd	F4WO212571	L22L2073	M	XS - XXL	Regular	N/A		



Component	Material	Description	Fabric Width	Supplier	Locked	Country of Origin	Managin g Liaison Office	UoM	Target Cost	FOB Unit Cost	CIF Unit Cost	Usage	Wastage %	Total FOB	Total CIF
Insulation 1	113362	Recycled Thermarator	0.0	YOUNGO NE CORPORATION-- Insulation	Y	Banglade sh	India	kg	0.0	3.85	0.0	0.130	0	0.501	0.000
Drawcord-Cording-Laces 1	008166	1.5mm non stretch drawcord w/ticks 2 clr (ECO version use 082935)	0.0	FGV - Shahi Exports Pvt. (SEP) Ltd.	Y	India	India	yd	0.0	0.0456	0.0	0.630	7.0	0.031	0.000



### Costing BOM

Line Slot: Oak Ridge II Interchange Jacket		State: Production		Season: F24		Designer: mmejia			
Style	Style Description	Design	Pattern	Base Size	Size Scale	Fit	SMU Type	Sample LO	Production LO
XL5746	Oak Ridge™ II Interchange Jacket	F4WO212539		unassigned		Regular	Style Add		India
F4WO212572-1	W Oak Ridge Interchange Jkt-Upd	F4WO212572	L22L2074	M	XS - XXL	Regular	N/A		
F4WO212571-1	W Oak Ridge Interchange Jkt-Upd	F4WO212571	L22L2073	M	XS - XXL	Regular	N/A		



Component	Material	Description	Fabric Width	Supplier	Locked	Country of Origin	Managin g Liaison Office	UoM	Target Cost	FOB Unit Cost	CIF Unit Cost	Usage	Wastage %	Total FOB	Total CIF
Label Logo 1	059197	USE ONLY FOR ALL ADULTSIZES AND YOUTH S-XL 42mm x 8mm Lightweight Stripe woven ECO Hanger Loop DOWN 2 clr other colors w Director approval only	0.0	Avery Dennison Global	N	China	Portland	ea	0.0	0.02823	0.0	1.000	5.0	0.030	0.000
Label Logo 2	061152	3mm Non stretch Interchange Drawcord for hanger loop 2 clr	0.0	Cosmos Knitting International Co. Ltd.	N	Vietnam	Taiwan-Taipei	ea	0.0	0.04	0.0	1.000	5.0	0.042	0.000
Screen Print 1	014454	64mm (B) Bug Columbia Logo Screenprint 1 clr	0.0	FGV Sourced	N	unassigned	Portland	ea	0.0	0.0	0.0	1.000	2.0	0.000	0.000

### Costing BOM

Line Slot: Oak Ridge II Interchange Jacket		State: Production		Season: F24		Designer: mmejia			
Style	Style Description	Design	Pattern	Base Size	Size Scale	Fit	SMU Type	Sample LO	Production LO
XL5746	Oak Ridge™ II Interchange Jacket	F4WO212539		unassigned		Regular	Style Add		India
F4WO212572-1	W Oak Ridge Interchange Jkt-Upd	F4WO212572	L22L2074	M	XS - XXL	Regular	N/A		
F4WO212571-1	W Oak Ridge Interchange Jkt-Upd	F4WO212571	L22L2073	M	XS - XXL	Regular	N/A		



Component	Material	Description	Fabric Width	Supplier	Locked	Country of Origin	Managin g Liaison Office	UoM	Target Cost	FOB Unit Cost	CIF Unit Cost	Usage	Wastage %	Total FOB	Total CIF
Thread 1	060282	Coats Epic Tex 30 thread	0.0	Coats Global Thread	N	unassigne d	Portland	meter	0.0	0.00048	0.0	103.000	5.0	0.052	0.000
Thread 2	079632	Coats Epic Tex 24	0.0	Coats Global Thread	N	unassigne d	Portland	meter	0.0	0.00048	0.0	60.000	5.0	0.030	0.000
Thread 3	008214	Coats ASTRA Spun Polyester Tex 27 40/2	0.0	Coats Global Thread	N	unassigne d	Portland	meter	0.0	0.0003	0.0	500.000	5.0	0.158	0.000
Webbing and Tape 1	360183	3/4 in W Foldover (3/8 to show) Woven Stretch Binding 1 clr FOR CAN STYLES PRODUCED IN VN use 110808	0.0	Paiho Global	N	Taiwan	Taiwan-Taipei	yd	0.0	0.16	0.0	0.610	7.0	0.104	0.000

### Costing BOM

Line Slot: Oak Ridge II Interchange Jacket		State: Production		Season: F24		Designer: mmejia			
Style	Style Description	Design	Pattern	Base Size	Size Scale	Fit	SMU Type	Sample LO	Production LO
XL5746	Oak Ridge™ II Interchange Jacket	F4WO212539		unassigned		Regular	Style Add		India
F4WO212572-1	W Oak Ridge Interchange Jkt-Upd	F4WO212572	L22L2074	M	XS - XXL	Regular	N/A		
F4WO212571-1	W Oak Ridge Interchange Jkt-Upd	F4WO212571	L22L2073	M	XS - XXL	Regular	N/A		



Component	Material	Description	Fabric Width	Supplier	Locked	Country of Origin	Managin g Liaison Office	UoM	Target Cost	FOB Unit Cost	CIF Unit Cost	Usage	Wastage %	Total FOB	Total CIF
Webbing and Tape 2	360183	3/4 in W Foldover (3/8 to show) Woven Stretch Binding 1 clr FOR CAN STYLES PRODUCED IN VN use 110808	0.0	Paiho Global	N	Taiwan	Taiwan- Taipei	yd	0.0	0.16	0.0	1.270	7.0	0.217	0.000
Webbing and Tape 3	360183	3/4 in W Foldover (3/8 to show) Woven Stretch Binding 1 clr FOR CAN STYLES PRODUCED IN VN use 110808	0.0	Paiho Global	N	Taiwan	Taiwan- Taipei	yd	0.0	0.16	0.0	0.514	7.0	0.088	0.000
Zipper 1	126946	VSOL-58 DU E OpenEnd Left-in Reversible AutoLk FlipOver Enml Sldr/PI metal content	0.0	Ideal Fastener Global	N	unassigne d	Portland	ea	0.0	0.314	0.0	1.000	1.0	0.501	0.000

### Costing BOM

Line Slot: Oak Ridge II Interchange Jacket		State: Production		Season: F24		Designer: mmejia			
Style	Style Description	Design	Pattern	Base Size	Size Scale	Fit	SMU Type	Sample LO	Production LO
XL5746	Oak Ridge™ II Interchange Jacket	F4WO212539		unassigned		Regular	Style Add		India
F4WO212572-1	W Oak Ridge Interchange Jkt-Upd	F4WO212572	L22L2074	M	XS - XXL	Regular	N/A		
F4WO212571-1	W Oak Ridge Interchange Jkt-Upd	F4WO212571	L22L2073	M	XS - XXL	Regular	N/A		



Component	Material	Description	Fabric Width	Supplier	Locked	Country of Origin	Managin g Liaison Office	UoM	Target Cost	FOB Unit Cost	CIF Unit Cost	Usage	Wastage %	Total FOB	Total CIF
Zipper 2	056079	CFC-36 DALH H3 T-B-0 Clsd AutoLk Lg Hole PI AntSilver Sldr/PI No Stps Metal content	0.0	Ideal Fastener Global	Y	China	Portland	ea	0.0	0.0946	0.08	2.000	1.0	0.230	0.200
Label 1	060475	40mm Interchange Woven ECO Size Label w/ Gem CSC to be used with 059197 Hanger Loop	0.0	Avery Dennison Global	N	China	Portland	ea	0.0	0.08352	0.0	1.000	3.0	0.086	0.000
Label 2	067533	33mm Patent Care Content like 006564 ECO Booklet Fold label COO / wht/blk and Blk/White	0.0	Avery Dennison Global	N	China	Portland	ea	0.0	0.0226	0.0	1.000	3.0	0.023	0.000

### Costing BOM

Line Slot: Oak Ridge II Interchange Jacket		State: Production		Season: F24		Designer: mmejia			
Style	Style Description	Design	Pattern	Base Size	Size Scale	Fit	SMU Type	Sample LO	Production LO
XL5746	Oak Ridge™ II Interchange Jacket	F4WO212539		unassigned		Regular	Style Add		India
F4WO212572-1	W Oak Ridge Interchange Jkt-Upd	F4WO212572	L22L2074	M	XS - XXL	Regular	N/A		
F4WO212571-1	W Oak Ridge Interchange Jkt-Upd	F4WO212571	L22L2073	M	XS - XXL	Regular	N/A		



Component	Material	Description	Fabric Width	Supplier	Locked	Country of Origin	Managing Liaison Office	UoM	Target Cost	FOB Unit Cost	CIF Unit Cost	Usage	Wastage %	Total FOB	Total CIF
Packaging 1	980001	Polybag See Standard CCS 4200 for specifications	0.0	Contractor	N	unassigned	Hong Kong	ea	0.0	0.0	0.0	1.000	3.0	0.000	0.000
Packaging 2	980010	UPC Bag Sticker Generic (MHW/Columbia) See CCS4400/4401 and MHW4402 for Mt Hardware for instructions	0.0	Avery Dennison Global	Y	China	Portland	ea	0.0	0.01323	0.0	1.000	5.0	0.014	0.000
Packaging 3	064194	Outer Carton for costing purpose only	0.0	Contractor	N	unassigned	Hong Kong	ea	0.0	0.0	0.0	1.000	3.0	0.000	0.000

### Costing BOM

Line Slot: Oak Ridge II Interchange Jacket				State: Production		Season: F24		Designer: mmejia	
Style	Style Description	Design	Pattern	Base Size	Size Scale	Fit	SMU Type	Sample LO	Production LO
XL5746	Oak Ridge™ II Interchange Jacket	F4WO212539		unassigned		Regular	Style Add		India
F4WO212572-1	W Oak Ridge Interchange Jkt-Upd	F4WO212572	L22L2074	M	XS - XXL	Regular	N/A		
F4WO212571-1	W Oak Ridge Interchange Jkt-Upd	F4WO212571	L22L2073	M	XS - XXL	Regular	N/A		



This is confidential and proprietary information of Columbia Sportswear Company. You agree that you will not disclose this information to any third party or use it for any purpose other than on behalf of Columbia. You have no right to use Columbia's name or any of its trademarks, trade names, copyrights, patents, designs or other intellectual property except as set forth in writing by Columbia.

## Instructions - F4WO212571-1 W Oak Ridge Interchange Jkt-Upd

Line Slot: Oak Ridge II Interchange Jacket      State: Production      Season: F24      Designer: mmejia

Style	Style Description	Design	Pattern	Base Size	Size Scale	Fit	SMU Type	Sample LO	Production LO
XL5746	Oak Ridge™ II Interchange Jacket	F4WO212 539		unassigned		Regular	Style Add		India
F4WO212 572-1	W Oak Ridge Interchange Jkt-Upd	F4WO212 572	L22L2074	M	XS - XXL	Regular	N/A		
F4WO212 571-1	W Oak Ridge Interchange Jkt-Upd	F4WO212 571	L22L2073	M	XS - XXL	Regular	N/A		



Category	Subcategory	Description	Comments
MISCELLANEOUS	INTERCHANGE	(SHELL) ATTACH LINER WITH SNAP TABS THROUGH LINER CUFF LOOPS AND ZIP TOGETHER. ATTACH SHELL NECK TAB THROUGH LINER HANGER LOOP AT CENTER BACK NECK.	
HANGTAGS	INTERCHANGE/SHELL & LINER	HANGTAGS INDICATED ON BILL OF MATERIALS ARE FOR BOTH SHELL & LINER. PLACE HANGTAGS ON SHELL ONLY. IF LINER IS ALSO SOLD SEPARATELY, PLEASE REFER TO LINER BILL OF MATERIALS FOR HANGTAGS.	
BARTACKS	BARTACK FUNCTIONAL	LENGTH - SIZED TO FIT	Follow the sketch for visible bartack placements.  Additional hidden bartacks at:  (4/2) slv cuff tab (2/1) hanger loop (3/1) I/C loop

This is confidential and proprietary information of Columbia Sportswear Company. You agree that you will not disclose this information to any third party or use it for any purpose other than on behalf of Columbia. You have no right to use Columbia's name or any of its trademarks, trade names, copyrights, patents, designs or other intellectual property except as set forth in writing by Columbia.

## Instructions - F4WO212572-1 W Oak Ridge Interchange Jkt-Upd

Line Slot: Oak Ridge II Interchange Jacket      State: Production      Season: F24      Designer: mmejia

Style	Style Description	Design	Pattern	Base Size	Size Scale	Fit	SMU Type	Sample LO	Production LO
XL5746	Oak Ridge™ II Interchange Jacket	F4WO212 539		unassigned		Regular	Style Add		India
F4WO212 572-1	W Oak Ridge Interchange Jkt-Upd	F4WO212 572	L22L2074	M	XS - XXL	Regular	N/A		
F4WO212 571-1	W Oak Ridge Interchange Jkt-Upd	F4WO212 571	L22L2073	M	XS - XXL	Regular	N/A		



Category	Subcategory	Description	Comments
CONSTRUCTION	2/NEEDLE OVEREDGE	4-SPOOL, 3/8 IN SEAM ALLOWANCE (NO TRIM). 10/12 STITCHES PER INCH FOR OUTERWEAR, HUNTING AND FISHING. APPLY TO ALL SEAMS THAT MAY RAVEL.(ISO#514)	
MISCELLANEOUS	PHEMOS	MHW 1602 SLIP KNOT TIE METHOD - PLACEMENT:	for all phemos
HANGTAGS	INTERCHANGE/SHELL & LINER	HANGTAGS INDICATED ON BILL OF MATERIALS ARE FOR BOTH SHELL & LINER. PLACE HANGTAGS ON SHELL ONLY. IF LINER IS ALSO SOLD SEPARATELY, PLEASE REFER TO LINER BILL OF MATERIALS FOR HANGTAGS.	
BARTACKS	BARTACK FUNCTIONAL	LENGTH - SIZED TO FIT	Follow sketch for visible bartack placements.  Additional hidden bartacks at:  2/1 hanger loop

This is confidential and proprietary information of Columbia Sportswear Company. You agree that you will not disclose this information to any third party or use it for any purpose other than on behalf of Columbia. You have no right to use Columbia's name or any of its trademarks, trade names, copyrights, patents, designs or other intellectual property except as set forth in writing by Columbia.



## Content Report - F4WO212571-1 W Oak Ridge Interchange Jkt-Upd

Line Slot: Oak Ridge II Interchange Jacket		State: Production		Season: F24		Designer: mmejia			
Style	Style Description	Design	Pattern	Base Size	Size Scale	Fit	SMU Type	Sample LO	Production LO
XL5746	Oak Ridge™ II Interchange Jacket	F4WO212539		unassigned		Regular	Style Add		India
F4WO212572-1	W Oak Ridge Interchange Jkt-Upd	F4WO212572	L22L2074	M	XS - XXL	Regular	N/A		
F4WO212571-1	W Oak Ridge Interchange Jkt-Upd	F4WO212571	L22L2073	M	XS - XXL	Regular	N/A		



<b>CONTENT CODE: O94</b>			<b>Color Way Number</b>	<b>Color Way Name</b>
Shell: 100% Polyester			397	Stone Green
Lining: 100% Polyester			607	Moonvista
Insulation: 85% Recycled Polyester, 15% Polyester Exclusive of Trimming			466	Nocturnal
<b>FRENCH</b>	Extérieur:	100% Polyester	278	Dark Stone
	Doublure:	100% Polyester	010	Black
	Isolation:	85% Polyester recyclé, 15% Polyester Sauf les bordures	224	Camel Brown
<b>GERMAN</b>	Außenhülle:	100% Polyester		
	Futter:	100% Polyester		
	Isolierung:	85% Recycled Polyester, 15% Polyester Ohne Besatz		
<b>PORTUGUESE</b>	Exterior:	100% Poliéster		
	Revestimento:	100% Poliéster		
	Isolamento:	85% Poliéster reciclado, 15% Poliéster Sem orlas		
<b>SPANISH</b>	Cubierta:	100% Poliéster		
	Revestimiento:	100% Poliéster		
	Aislamiento:	85% Poliéster reciclado, 15% Poliéster Exclusivo de los ribetes		
<b>ITALIAN</b>	Guscio esterno:	100% Poliestere		
	Fodera:	100% Poliestere		
	Isolante:	85% Poliestere riciclato, 15% Poliestere Ad eccezione dei bordini		
<b>RUSSIAN</b>	Оболочка:	100% Полиэфир		
	Подклад:	100% Полиэфир		
	Утеплитель :	85% Утилизированный полиэфир, 15% Полиэфир Без дополнительных деталей		
<b>CZECH REPUBLICAN</b>	Skořepina:	100% Polyester		
	Podšívka:	100% Polyester		
	Izolace:	85% Recyklovaný polyester, 15% Polyester Bez nášivek		
<b>HEBREW</b>		מעטפת חיצונית: 100% פוליאסטר		
		בטנה: 100% פוליאסטר		
		בידוד: 85% פוליאסטר ממוחזר, 15% פוליאסטר ללא קישוט		
<b>HUNGARIAN</b>	Külső:	100% Poliészter		
	Bélés:	100% Poliészter		
	Bélés:	85% Újrahasznosított poliészter, 15% Poliészter Szegélydíszén kívül		

## Content Report - F4WO212571-1 W Oak Ridge Interchange Jkt-Upd

Line Slot: Oak Ridge II Interchange Jacket		State: Production		Season: F24		Designer: mmejia			
Style	Style Description	Design	Pattern	Base Size	Size Scale	Fit	SMU Type	Sample LO	Production LO
XL5746	Oak Ridge™ II Interchange Jacket	F4WO212539		unassigned		Regular	Style Add		India
F4WO212572-1	W Oak Ridge Interchange Jkt-Upd	F4WO212572	L22L2074	M	XS - XXL	Regular	N/A		
F4WO212571-1	W Oak Ridge Interchange Jkt-Upd	F4WO212571	L22L2073	M	XS - XXL	Regular	N/A		



<b>POLISH</b>	<b>Powloka:</b> 100% Poliester <b>Podszewka:</b> 100% Poliester <b>Izolacja:</b> 85% Poliester z recyklingu, 15% Poliester Wyłączając naszywki
<b>PORTUGUESE BRAZIL</b>	<b>Exterior:</b> 100% Poliéster <b>Forro:</b> 100% Poliéster <b>Isolamento:</b> 85% Poliéster reciclado, 15% Poliéster Sem adornos
<b>SLOVAKIAN</b>	<b>Plášť:</b> 100% Polyester <b>Podšívka:</b> 100% Polyester <b>Izolácia:</b> 85% Recyklovaný polyester, 15% Polyester Okrem lemovania
<b>SLOVENIAN</b>	<b>Lupina:</b> 100% Poliester <b>Podloga:</b> 100% Poliester <b>Izolacija:</b> 85% Reciklirani poliester, 15% Poliester Brez obrezovanja
<b>SPANISH LATIN AMERICAN</b>	<b>Cubierta:</b> 100% Poliéster <b>Revestimiento:</b> 100% Poliéster <b>Aislamiento:</b> 85% Poliéster reciclado, 15% Poliéster Exclusivo de los ribetes
<b>TURKISH</b>	<b>Kabuk:</b> 100% Polyester <b>Astar:</b> 100% Polyester <b>Yalitim:</b> 85% Geri Dönüşümlü Polyester, 15% Polyester Süsler Hariç
<b>CHINESE SIMPLIFIED</b>	<b>外壳:</b> 100% 聚酯 <b>衬里:</b> 100% 聚酯 <b>绝缘:</b> 85% 可回收聚酯纤维, 15% 聚酯 不包括装饰品
<b>CHINESE TRADITIONAL</b>	<b>外殼:</b> 100% 聚酯 <b>襯裡:</b> 100% 聚酯 <b>絕緣:</b> 85% 可回收聚酯纖維, 15% 聚酯 不包括裝飾品
<b>JAPANESE</b>	<b>シエル:</b> 100% ポリエステル <b>裏地:</b> 100% ポリエステル <b>断熱材:</b> 85% リサイクルポリエステル, 15% ポリエステル 装飾品を除く

## Content Report - F4WO212571-1 W Oak Ridge Interchange Jkt-Upd

Line Slot: Oak Ridge II Interchange Jacket		State: Production		Season: F24		Designer: mmejia			
Style	Style Description	Design	Pattern	Base Size	Size Scale	Fit	SMU Type	Sample LO	Production LO
XL5746	Oak Ridge™ II Interchange Jacket	F4WO212539		unassigned		Regular	Style Add		India
F4WO212572-1	W Oak Ridge Interchange Jkt-Upd	F4WO212572	L22L2074	M	XS - XXL	Regular	N/A		
F4WO212571-1	W Oak Ridge Interchange Jkt-Upd	F4WO212571	L22L2073	M	XS - XXL	Regular	N/A		



<b>KOREAN</b>	:	<b>100%</b>	
	:	<b>100%</b>	
	:	<b>85%</b>	<b>, 15%</b>
<b>DANISH</b>	<b>Skal:</b>	<b>100% Polyester</b>	
	<b>Foring:</b>	<b>100% Polyester</b>	
	<b>Isolering:</b>	<b>85% Genbrugt polyester, 15% Polyester Inkluderer ikke kant</b>	
<b>NORWEGIAN</b>	<b>Skall:</b>	<b>100% Polyester</b>	
	<b>Foring:</b>	<b>100% Polyester</b>	
	<b>Isolasjon:</b>	<b>85% Resirkulert polyester, 15% Polyester Eksklusiv trimming</b>	
<b>SWEDISH</b>	<b>Ytterdel:</b>	<b>100% Polyester</b>	
	<b>Foder:</b>	<b>100% Polyester</b>	
	<b>Isolering:</b>	<b>85% Återvunnen polyester, 15% Polyester Utan trimming</b>	
<b>DUTCH</b>	<b>Schelp:</b>	<b>100% Polyester</b>	
	<b>Bekleding:</b>	<b>100% Polyester</b>	
	<b>Isolatie:</b>	<b>85% Gerecyclede polyester, 15% Polyester Exclusief trimmen</b>	
<b>FRENCH CANADIAN</b>	<b>Extérieur:</b>	<b>100% Polyester</b>	
	<b>Doublure:</b>	<b>100% Polyester</b>	
	<b>Isolant:</b>	<b>85% Polyester recyclé, 15% Polyester Exclut les bordures</b>	

## Content Report - F4WO212572-1 W Oak Ridge Interchange Jkt-Upd

Line Slot: Oak Ridge II Interchange Jacket		State: Production		Season: F24		Designer: mmejia			
Style	Style Description	Design	Pattern	Base Size	Size Scale	Fit	SMU Type	Sample LO	Production LO
XL5746	Oak Ridge™ II Interchange Jacket	F4WO212539		unassigned		Regular	Style Add		India
F4WO212572-1	W Oak Ridge Interchange Jkt-Upd	F4WO212572	L22L2074	M	XS - XXL	Regular	N/A		
F4WO212571-1	W Oak Ridge Interchange Jkt-Upd	F4WO212571	L22L2073	M	XS - XXL	Regular	N/A		



<b>CONTENT CODE: SGS</b>		<b>Color Way Number</b>	<b>Color Way Name</b>
<b>Shell:</b> 100% Nylon		609	Fig
<b>Shell Sides:</b> 94% Polyester, 6% Elastane		010	Black
<b>Lining:</b> 100% Polyester		262	Canoe
<b>Filling:</b> 100% Recycled Polyester Exclusive of Trimming		278	Dark Stone
<b>FRENCH</b>	<b>Extérieur:</b> 100% Polyamide	581	Snowdrift
	<b>Côtés extérieurs:</b> 94% Polyester, 6% Élasthanne	348	Safari
	<b>Doublure:</b> 100% Polyester		
	<b>Rembourrure:</b> 100% Polyester recyclé Sauf les bordures		
<b>GERMAN</b>	<b>Außenhülle:</b> 100% Nylon		
	<b>Außenhülle Seitenteile:</b> 94% Polyester, 6% Elastan		
	<b>Futter:</b> 100% Polyester		
	<b>Fütterung:</b> 100% Recycled Polyester Ohne Besatz		
<b>PORTUGUESE</b>	<b>Exterior:</b> 100% Nylon		
	<b>Lados do exterior:</b> 94% Poliéster, 6% Elastano		
	<b>Revestimento:</b> 100% Poliéster		
	<b>Enchimento:</b> 100% Poliéster reciclado Sem orlas		
<b>SPANISH</b>	<b>Cubierta:</b> 100% Nilón		
	<b>Partes laterales de la cubierta:</b> 94% Poliéster, 6% Elastano		
	<b>Revestimiento:</b> 100% Poliéster		
	<b>Relleno:</b> 100% Poliéster reciclado Exclusivo de los ribetes		
<b>ITALIAN</b>	<b>Guscio esterno:</b> 100% Nylon		
	<b>Parti laterali guscio:</b> 94% Poliestere, 6% Elastan		
	<b>Fodera:</b> 100% Poliestere		
	<b>Imbottitura:</b> 100% Poliestere riciclato Ad eccezione dei bordini		
<b>RUSSIAN</b>	<b>Оболочка:</b> 100% Нейлон		
	<b>Полочки:</b> 94% Полиэфир, 6% Эластан		
	<b>Подклад:</b> 100% Полиэфир		
	<b>Наполнитель:</b> 100% Утилизированный полиэфир Без дополнительных деталей		
<b>CZECH REPUBLICAN</b>	<b>Skořepina:</b> 100% Nylon		
	<b>Boční díly skořepiny:</b> 94% Polyester, 6% Elastan		
	<b>Podšívka:</b> 100% Polyester		
	<b>Výplň:</b> 100% Recyklovaný polyester Bez nášivek		

## Content Report - F4WO212572-1 W Oak Ridge Interchange Jkt-Upd

Line Slot: Oak Ridge II Interchange Jacket		State: Production		Season: F24		Designer: mmejia			
Style	Style Description	Design	Pattern	Base Size	Size Scale	Fit	SMU Type	Sample LO	Production LO
XL5746	Oak Ridge™ II Interchange Jacket	F4WO212539		unassigned		Regular	Style Add		India
F4WO212572-1	W Oak Ridge Interchange Jkt-Upd	F4WO212572	L22L2074	M	XS - XXL	Regular	N/A		
F4WO212571-1	W Oak Ridge Interchange Jkt-Upd	F4WO212571	L22L2073	M	XS - XXL	Regular	N/A		



<b>HEBREW</b>		100% ניילון
	מעטפת חיצונית:	94% פוליאסטר, 6% אלסטן
	צידי המעטפת:	100% פוליאסטר
	בטנה:	100% פוליאסטר ממוחזר ללא קישוט
	מילוי:	
<b>HUNGARIAN</b>	Külső:	100% Nejlón
	Külső oldalak:	94% Poliészter, 6% Elasztán
	Bélés:	100% Poliészter
	Töltés:	100% Újrahasznosított poliészter Szegélydiszen kívül
<b>POLISH</b>	Powłoka:	100% Nylon
	Boki powłoki:	94% Poliester, 6% Elastan
	Podszewka:	100% Poliester
	Wypełnienie:	100% Poliester z recyklingu Wylączając naszywki
<b>PORTUGUESE BRAZIL</b>	Exterior:	100% Náilon
	Lados do exterior:	94% Poliéster, 6% Elastano
	Forro:	100% Poliéster
	Enchimento:	100% Poliéster reciclado Sem adornos
<b>SLOVAKIAN</b>	Plášť:	100% Nylon
	Plášť, boky:	94% Polyester, 6% Elastan
	Podšívka:	100% Polyester
	Vypchávka:	100% Recyklovaný polyester Okrem lemovania
<b>SLOVENIAN</b>	Lupina:	100% Najlon
	Boki lupine:	94% Poliester, 6% Elastan
	Podloga:	100% Poliester
	Nadev:	100% Reciklirani poliester Brez obrezovanja
<b>SPANISH LATIN AMERICAN</b>	Cubierta:	100% Nailon
	Partes laterales de la cubierta:	94% Poliéster, 6% Elastano
	Revestimiento:	100% Poliéster
	Relleno:	100% Poliéster reciclado Exclusivo de los ribetes
<b>TURKISH</b>	Kabuk:	100% Naylon
	Kabuk Yanlar:	94% Polyester, 6% Elastan
	Astar:	100% Polyester
	Dolgu Malzemesi :	100% Geri Dönüşümlü Polyester Süsler Hariç

**Content Report - F4WO212572-1 W Oak Ridge Interchange Jkt-Upd**

Line Slot: Oak Ridge II Interchange Jacket		State: Production		Season: F24		Designer: mmejia			
Style	Style Description	Design	Pattern	Base Size	Size Scale	Fit	SMU Type	Sample LO	Production LO
XL5746	Oak Ridge™ II Interchange Jacket	F4WO212539		unassigned		Regular	Style Add		India
F4WO212572-1	W Oak Ridge Interchange Jkt-Upd	F4WO212572	L22L2074	M	XS - XXL	Regular	N/A		
F4WO212571-1	W Oak Ridge Interchange Jkt-Upd	F4WO212571	L22L2073	M	XS - XXL	Regular	N/A		



<b>CHINESE SIMPLIFIED</b>	外壳: 外壳侧面: 衬里: 填充:	100% 尼龙 94% 聚酯, 6% 弹性 100% 聚酯 100% 可回收聚酯纤维 不包括装饰品
<b>CHINESE TRADITIONAL</b>	外殼: 外殼側面: 襯裡: 填充:	100% 尼龍 94% 聚酯, 6% 彈性 100% 聚酯 100% 可回收聚酯纖維 不包括裝飾品
<b>JAPANESE</b>	シェル: シェルサイド: 裏地: フィリング:	100% ナイロン 94% ポリエステル, 6% エラスティン 100% ポリエステル 100% リサイクルポリエステル 装飾品を除く
<b>KOREAN</b>	: : : :	100% 94% , 6% 100% 100%
<b>DANISH</b>	Skal: Sider på skal: Foring: Foring:	100% Nylon 94% Polyester, 6% Elastan 100% Polyester 100% Genbrugt polyester Inkluderer ikke kant
<b>NORWEGIAN</b>	Skall: Skall sider: Foring: Fyllstoff:	100% Nylon 94% Polyester, 6% Elastan 100% Polyester 100% Resirkulert polyester Eksklusiv trimming
<b>SWEDISH</b>	Ytterdel: Ytterdel sidor: Foder: Fyllnadsmaterial:	100% Nylon 94% Polyester, 6% Elastan 100% Polyester 100% Återvunnen polyester Utan trimming

### Content Report - F4WO212572-1 W Oak Ridge Interchange Jkt-Upd

Line Slot: Oak Ridge II Interchange Jacket		State: Production		Season: F24		Designer: mmejia			
Style	Style Description	Design	Pattern	Base Size	Size Scale	Fit	SMU Type	Sample LO	Production LO
XL5746	Oak Ridge™ II Interchange Jacket	F4WO212539		unassigned		Regular	Style Add		India
F4WO212572-1	W Oak Ridge Interchange Jkt-Upd	F4WO212572	L22L2074	M	XS - XXL	Regular	N/A		
F4WO212571-1	W Oak Ridge Interchange Jkt-Upd	F4WO212571	L22L2073	M	XS - XXL	Regular	N/A		



<b>DUTCH</b>	<b>Schelp:</b> 100% Nylon <b>Schelp-zijkanten:</b> 94% Polyester, 6% Elastaan <b>Bekleding:</b> 100% Polyester <b>Vulling:</b> 100% Gerecyclede polyester Exclusief trimmen
<b>FRENCH CANADIAN</b>	<b>Extérieur:</b> 100% Nylon <b>Côtés extérieurs:</b> 94% Polyester, 6% Élasthanne <b>Doublure:</b> 100% Polyester <b>Doublure:</b> 100% Polyester recyclé Exclut les bordures

**Pattern Piece Detail - F4WO212571-1 W Oak Ridge Interchange Jkt-Upd**

Line Slot: Oak Ridge II Interchange Jacket      State: Production      Season: F24      Designer: mmejia

Style	Style Description	Design	Pattern	Base Size	Size Scale	Fit	SMU Type	Sample LO	Production LO
XL5746	Oak Ridge™ II Interchange Jacket	F4WO212 539		unassigned		Regular	Style Add		India
F4WO212 572-1	W Oak Ridge Interchange Jkt-Upd	F4WO212 572	L22L2074	M	XS - XXL	Regular	N/A		
F4WO212 571-1	W Oak Ridge Interchange Jkt-Upd	F4WO212 571	L22L2073	M	XS - XXL	Regular	N/A		



**L22L2073 -**

Component	Quantity	Long Description	Abbreviation	Code
-----------	----------	------------------	--------------	------

This is confidential and proprietary information of Columbia Sportswear Company. You agree that you will not disclose this information to any third party or use it for any purpose other than on behalf of Columbia. You have no right to use Columbia's name or any of its trademarks, trade names, copyrights, patents, designs or other intellectual property except as set forth in writing by Columbia.



**Pattern Piece Detail - F4WO212572-1 W Oak Ridge Interchange Jkt-Upd**

Line Slot: Oak Ridge II Interchange Jacket      State: Production      Season: F24      Designer: mmejia

Style	Style Description	Design	Pattern	Base Size	Size Scale	Fit	SMU Type	Sample LO	Production LO
XL5746	Oak Ridge™ II Interchange Jacket	F4WO212 539			unassigned	Regular	Style Add		India
F4WO212 572-1	W Oak Ridge Interchange Jkt-Upd	F4WO212 572	L22L2074	M	XS - XXL	Regular	N/A		
F4WO212 571-1	W Oak Ridge Interchange Jkt-Upd	F4WO212 571	L22L2073	M	XS - XXL	Regular	N/A		



**L22L2074 -**

Component	Quantity	Long Description	Abbreviation	Code
-----------	----------	------------------	--------------	------

This is confidential and proprietary information of Columbia Sportswear Company. You agree that you will not disclose this information to any third party or use it for any purpose other than on behalf of Columbia. You have no right to use Columbia's name or any of its trademarks, trade names, copyrights, patents, designs or other intellectual property except as set forth in writing by Columbia.

### Measurements - F4WO212571-1 W Oak Ridge Interchange Jkt-Upd

Line Slot: Oak Ridge II Interchange Jacket				State: Production		Season: F24		Designer: mmejia	
Style	Style Description	Design	Pattern	Base Size	Size Scale	Fit	SMU Type	Sample LO	Production LO
XL5746	Oak Ridge™ II Interchange Jacket	F4WO212539		unassigned		Regular	Style Add		India
F4WO212572-1	W Oak Ridge Interchange Jkt-Upd	F4WO212572	L22L2074	M	XS - XXL	Regular	N/A		
F4WO212571-1	W Oak Ridge Interchange Jkt-Upd	F4WO212571	L22L2073	M	XS - XXL	Regular	N/A		



Sort Order		Use	Type	Placemen t	(+/-)	XS	S	M	L	XL	XXL
Grade Rule: CSC Womens Outerwear Tops - XXS-XXL (M) - Block: null											
1101.0	CHEST WIDTH - circumference - 1 inch down from armhole seam	QC	Graded		1.0	39.0	41.0	<b>43.0</b>	46.25	49.5	52.75
1301.0	WAIST WIDTH POSITION - from CB neck seam		Graded		0.0	15.5	15.75	<b>16.0</b>	16.25	16.5	16.75
1400.0	WAIST WIDTH - circumference	QC	Graded		1.0	35.5	37.25	<b>39.0</b>	42.25	45.5	48.75
1531.0	HIP WIDTH POSITION - from CB neck seam		Graded		0.0	21.0	21.5	<b>22.0</b>	22.5	23.0	23.5
1550.0	HIP WIDTH (Tops) - circumference	QC	Graded		1.0	39.5	41.5	<b>43.5</b>	46.75	50.0	53.25
1610.0	SWEEP WIDTH - circumference	QC	Graded		1.0	41.5	43.5	<b>45.5</b>	48.75	52.0	55.25
1900.0	CENTER BACK HEM DROP - difference from CF to CB		Graded		0.125	1.5	1.5	<b>1.5</b>	1.5	1.5	1.5
2003.0	BACK BODY LENGTH - CB neck to edge of hem - group grade	QC	Graded		0.5	27.0	28.0	<b>28.0</b>	29.0	29.0	30.0
2562.0	ARMHOLE DEPTH - From HPS		Varies By Style		0.0	9.625	9.875	<b>10.125</b>	10.375	10.625	10.875
2602.0	SLEEVE LENGTH - Long Sleeve - CB neck to hem edge	QC	Graded		0.625	33.5	34.0	<b>34.5</b>	35.375	36.25	37.125
2722.0	SLEEVE WIDTH - circumference - 1 inch down from armhole seam	QC	Graded		0.5	16.75	17.25	<b>17.75</b>	18.625	19.5	20.375
2822.0	ELBOW WIDTH - circumference - at mid point of under sleeve seam	QC	Graded		0.375	13.25	13.625	<b>14.0</b>	14.625	15.25	15.875
3263.0	CUFF WIDTH - long sleeve - circumference	QC	Graded		0.25	10.5	10.75	<b>11.0</b>	11.375	11.75	12.125

**Measurements - F4WO212571-1 W Oak Ridge Interchange Jkt-Upd**

Line Slot: Oak Ridge II Interchange Jacket				State: Production		Season: F24		Designer: mmejia	
Style	Style Description	Design	Pattern	Base Size	Size Scale	Fit	SMU Type	Sample LO	Production LO
XL5746	Oak Ridge™ II Interchange Jacket	F4WO212539		unassigned		Regular	Style Add		India
F4WO212572-1	W Oak Ridge Interchange Jkt-Upd	F4WO212572	L22L2074	M	XS - XXL	Regular	N/A		
F4WO212571-1	W Oak Ridge Interchange Jkt-Upd	F4WO212571	L22L2073	M	XS - XXL	Regular	N/A		



Sort Order		Use	Type	Placemen t	(+/-)	XS	S	<i>M</i>	L	XL	XXL
3500.0	NECK WIDTH - seam to seam	QC	Varies By Style		0.125	7.5	7.5	<b>7.5</b>	7.875	8.25	8.625
3552.0	BACK NECK DROP - from HPS to seam		Varies By Style		0.125	1.5	1.5	<b>1.5</b>	1.625	1.75	1.875
3582.0	FRONT NECK DROP - from HPS to seam		Varies By Style		0.125	5.5	5.5	<b>5.5</b>	5.625	5.75	5.875
3800.0	HOOD HEIGHT - from HPS to top of hood	QC	Varies By Style		0.25	13.75	13.75	<b>13.75</b>	14.0	14.25	14.5
3850.0	TOTAL HOOD LENGTH - from CB neck seam to top front edge of opening		Varies By Style		0.5	21.0	21.0	<b>21.0</b>	21.375	21.75	22.125
3920.0	HOOD WIDTH - on half	QC	Varies By Style		0.25	10.75	10.75	<b>10.75</b>	11.0	11.25	11.5
3940.0	HOOD OPENING - circumference		Varies By Style		0.5	26.25	26.25	<b>26.25</b>	26.75	27.25	27.75
3970.0	HOOD TIP HEIGHT - at CF		Graded		0.125	5.5	5.5	<b>5.5</b>	5.5	5.5	5.5
6802.0	FINISHED ZIPPER LENGTH - chest pocket opening		Varies By Style		0.0	6.0	6.5	<b>6.5</b>	7.0	7.0	7.5
6830.0	FINISHED ZIPPER LENGTH - lower front pocket opening		Varies By Style		0.125	7.0	7.5	<b>7.5</b>	8.0	8.0	8.5
930.0	Drawcord-Cording-Laces 1		Component	hood opening	0.0	33.0	33.0	<b>33.0</b>	33.5	34.0	34.5
960.0	Drawcord-Cording-Laces 2		Component	zip pullers at CF (1), Hans pkts (2), chest pkt (1)	0.0	7.0	7.0	<b>7.0</b>	7.0	7.0	7.0

**Measurements - F4WO212571-1 W Oak Ridge Interchange Jkt-Upd**

Line Slot: Oak Ridge II Interchange Jacket				State: Production		Season: F24		Designer: mmejia	
Style	Style Description	Design	Pattern	Base Size	Size Scale	Fit	SMU Type	Sample LO	Production LO
XL5746	Oak Ridge™ II Interchange Jacket	F4WO212539		unassigned		Regular	Style Add		India
F4WO212572-1	W Oak Ridge Interchange Jkt-Upd	F4WO212572	L22L2074	M	XS - XXL	Regular	N/A		
F4WO212571-1	W Oak Ridge Interchange Jkt-Upd	F4WO212571	L22L2073	M	XS - XXL	Regular	N/A		



Sort Order		Use	Type	Placemen t	(+/-)	XS	S	<b>M</b>	L	XL	XXL
1850.0	Hook 1		Compo nent	cuff tab	0.0	2.0	2.0	<b>2.0</b>	2.0	2.0	2.0
1860.0	Hook 2		Compo nent		0.0	2.0	2.0	<b>2.0</b>	2.0	2.0	2.0
2190.0	Loop 1		Compo nent	cuff	0.0	3.75	3.75	<b>3.75</b>	3.75	3.75	3.75
2200.0	Loop 2		Compo nent		0.0	3.0	3.0	<b>3.0</b>	3.0	3.0	3.0
3190.0	Webbing and Tape 1		Compo nent		0.0	7.5	7.5	<b>7.5</b>	7.5	7.5	7.5
3210.0	Webbing and Tape 2		Compo nent		0.0	5.25	5.25	<b>5.25</b>	5.25	5.25	5.25
3670.0	Zipper 1		Compo nent	CF - 1	0.0	27.5	28.5	<b>28.5</b>	29.5	29.5	30.5
3690.0	Zipper 2		Compo nent	hand zips - 2	0.0	8.0	8.5	<b>8.5</b>	9.0	9.0	9.5
3710.0	Zipper 3		Compo nent	chest zip - 1	0.0	7.0	7.5	<b>7.5</b>	8.0	8.0	8.5
3730.0	Zipper 4		Compo nent	IC Zip - 1	0.0	25.0	26.0	<b>26.0</b>	27.0	27.0	28.0

This is confidential and proprietary information of Columbia Sportswear Company. You agree that you will not disclose this information to any third party or use it for any purpose other than on behalf of Columbia. You have no right to use Columbia's name or any of its trademarks, trade names, copyrights, patents, designs or other intellectual property except as set forth in writing by Columbia.

### Measurements - F4WO212572-1 W Oak Ridge Interchange Jkt-Upd

Line Slot: Oak Ridge II Interchange Jacket				State: Production		Season: F24		Designer: mmejia	
Style	Style Description	Design	Pattern	Base Size	Size Scale	Fit	SMU Type	Sample LO	Production LO
XL5746	Oak Ridge™ II Interchange Jacket	F4WO212539		unassigned		Regular	Style Add		India
F4WO212572-1	W Oak Ridge Interchange Jkt-Upd	F4WO212572	L22L2074	M	XS - XXL	Regular	N/A		
F4WO212571-1	W Oak Ridge Interchange Jkt-Upd	F4WO212571	L22L2073	M	XS - XXL	Regular	N/A		



Sort Order		Use	Type	Placemen t	(+/-)	XS	S	M	L	XL	XXL
Grade Rule: CSC Womens Outerwear Tops - XXS-XXL (M) - Block: null											
1101.0	CHEST WIDTH - circumference - 1 inch down from armhole seam	QC	Graded		1.0	36.0	38.0	<b>40.0</b>	43.25	46.5	49.75
1301.0	WAIST WIDTH POSITION - from CB neck seam		Graded		0.0	15.0	15.25	<b>15.5</b>	15.75	16.0	16.25
1400.0	WAIST WIDTH - circumference	QC	Graded		1.0	34.0	35.75	<b>37.5</b>	40.75	44.0	47.25
1610.0	SWEEP WIDTH - circumference	QC	Graded		1.0	38.5	40.5	<b>42.5</b>	45.75	49.0	52.25
1900.0	CENTER BACK HEM DROP - difference from CF to CB		Graded		0.125	1.5	1.5	<b>1.5</b>	1.5	1.5	1.5
2003.0	BACK BODY LENGTH - CB neck to edge of hem - group grade	QC	Graded		0.5	25.0	26.0	<b>26.0</b>	27.0	27.0	28.0
2204.0	SHOULDER WIDTH - Natural Shoulder - edge to edge	QC	Graded		0.5	14.0	14.5	<b>15.0</b>	15.875	16.75	17.625
2504.0	ARMHOLE (Relaxed) - circumference	QC	Graded		0.5	18.25	18.875	<b>19.5</b>	20.5	21.5	22.5
2505.0	ARMHOLE (Extended) - circumference	QC	Graded		0.5	19.75	20.375	<b>21.0</b>	22.0	23.0	24.0
2582.0	SIDE SEAM LENGTH - underarm seam to hem edge - group grade	QC	Graded		0.25	15.5	16.375	<b>16.25</b>	17.0	16.75	17.5
3500.0	NECK WIDTH - seam to seam	QC	Varies By Style		0.25	6.5	6.5	<b>6.5</b>	7.0	7.25	7.75
3552.0	BACK NECK DROP - from HPS to seam		Varies By Style		0.125	1.25	1.25	<b>1.25</b>	1.375	1.375	1.5
3582.0	FRONT NECK DROP - from HPS to seam		Varies By Style		0.125	7.5	7.5	<b>7.5</b>	7.75	8.0	8.25

**Measurements - F4WO212572-1 W Oak Ridge Interchange Jkt-Upd**

Line Slot: Oak Ridge II Interchange Jacket				State: Production		Season: F24		Designer: mmejia		
Style	Style Description	Design	Pattern	Base Size	Size Scale	Fit	SMU Type	Sample LO	Production LO	
XL5746	Oak Ridge™ II Interchange Jacket	F4WO212539		unassigned		Regular	Style Add		India	
F4WO212572-1	W Oak Ridge Interchange Jkt-Upd	F4WO212572	L22L2074	M	XS - XXL	Regular	N/A			
F4WO212571-1	W Oak Ridge Interchange Jkt-Upd	F4WO212571	L22L2073	M	XS - XXL	Regular	N/A			

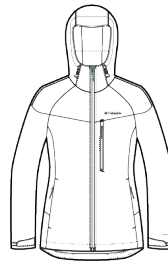


Sort Order		Use	Type	Placemen t	(+/-)	XS	S	<i>M</i>	L	XL	XXL
3600.0	COLLAR LENGTH - at top	QC	Varies By Style		0.25	21.0	21.0	<b>21.0</b>	22.0	23.0	24.0
3650.0	COLLAR HEIGHT - at CB	QC	Graded		0.125	3.0	3.0	<b>3.0</b>	3.0	3.0	3.0
3651.0	COLLAR HEIGHT - at CF	QC	Graded		0.125	7.0	7.0	<b>7.0</b>	7.0	7.0	7.0
6830.0	FINISHED ZIPPER LENGTH - lower front pocket opening		Varies By Style		0.125	6.5	7.0	<b>7.0</b>	7.5	7.5	8.0
9950.0	TOTAL DOWN WEIGHT - in grams	QC	Varies By Style		0.0	118.4	127.0	<b>130.0</b>	146.2	156.3	171.4
930.0	Drawcord-Cording-Laces 1		Component	zip pullers at CF (1), hand pkts (2)	0.0	7.5	7.5	<b>7.5</b>	7.5	7.5	7.5
3190.0	Webbing and Tape 1		Component	top edge of collar	0.0	22.0	22.0	<b>22.0</b>	23.0	24.0	25.0
3210.0	Webbing and Tape 2		Component	armhole	0.0	19.25	19.875	<b>20.5</b>	21.5	22.5	23.5
3670.0	Zipper 1		Component	CF - 1	0.0	25.0	26.0	<b>26.0</b>	27.0	27.0	28.0
3690.0	Zipper 2		Component	hands - 2	0.0	7.5	8.0	<b>8.0</b>	8.5	8.5	9.0

This is confidential and proprietary information of Columbia Sportswear Company. You agree that you will not disclose this information to any third party or use it for any purpose other than on behalf of Columbia. You have no right to use Columbia's name or any of its trademarks, trade names, copyrights, patents, designs or other intellectual property except as set forth in writing by Columbia.

### Thumbnail - F4WO212571-1 W Oak Ridge Interchange Jkt-Upd

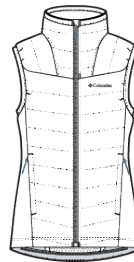
Line Slot: Oak Ridge II Interchange Jacket				State: Production		Season: F24		Designer: mmejia	
Style	Style Description	Design	Pattern	Base Size	Size Scale	Fit	SMU Type	Sample LO	Production LO
XL5746	Oak Ridge™ II Interchange Jacket	F4WO212539		unassigned		Regular	Style Add		India
F4WO212572-1	W Oak Ridge Interchange Jkt-Upd	F4WO212572	L22L2074	M	XS - XXL	Regular	N/A		
F4WO212571-1	W Oak Ridge Interchange Jkt-Upd	F4WO212571	L22L2073	M	XS - XXL	Regular	N/A		



This is confidential and proprietary information of Columbia Sportswear Company. You agree that you will not disclose this information to any third party or use it for any purpose other than on behalf of Columbia. You have no right to use Columbia's name or any of its trademarks, trade names, copyrights, patents, designs or other intellectual property except as set forth in writing by Columbia.

### Thumbnail - F4WO212572-1 W Oak Ridge Interchange Jkt-Upd

Line Slot: Oak Ridge II Interchange Jacket				State: Production		Season: F24		Designer: mmejia	
Style	Style Description	Design	Pattern	Base Size	Size Scale	Fit	SMU Type	Sample LO	Production LO
XL5746	Oak Ridge™ II Interchange Jacket	F4WO212539		unassigned		Regular	Style Add		India
F4WO212572-1	W Oak Ridge Interchange Jkt-Upd	F4WO212572	L22L2074	M	XS - XXL	Regular	N/A		
F4WO212571-1	W Oak Ridge Interchange Jkt-Upd	F4WO212571	L22L2073	M	XS - XXL	Regular	N/A		



This is confidential and proprietary information of Columbia Sportswear Company. You agree that you will not disclose this information to any third party or use it for any purpose other than on behalf of Columbia. You have no right to use Columbia's name or any of its trademarks, trade names, copyrights, patents, designs or other intellectual property except as set forth in writing by Columbia.



## Technical - F4WO212571-1 W Oak Ridge Interchange Jkt-Upd

Line Slot: Oak Ridge II Interchange Jacket		State: Production		Season: F24		Designer: mmejia			
Style	Style Description	Design	Pattern	Base Size	Size Scale	Fit	SMU Type	Sample LO	Production LO
XL5746	Oak Ridge™ II Interchange Jacket	F4WO212 539		unassigned		Regular	Style Add		India
F4WO212 572-1	W Oak Ridge Interchange Jkt-Upd	F4WO212 572	L22L2074	M	XS - XXL	Regular	N/A		
F4WO212 571-1	W Oak Ridge Interchange Jkt-Upd	F4WO212 571	L22L2073	M	XS - XXL	Regular	N/A		

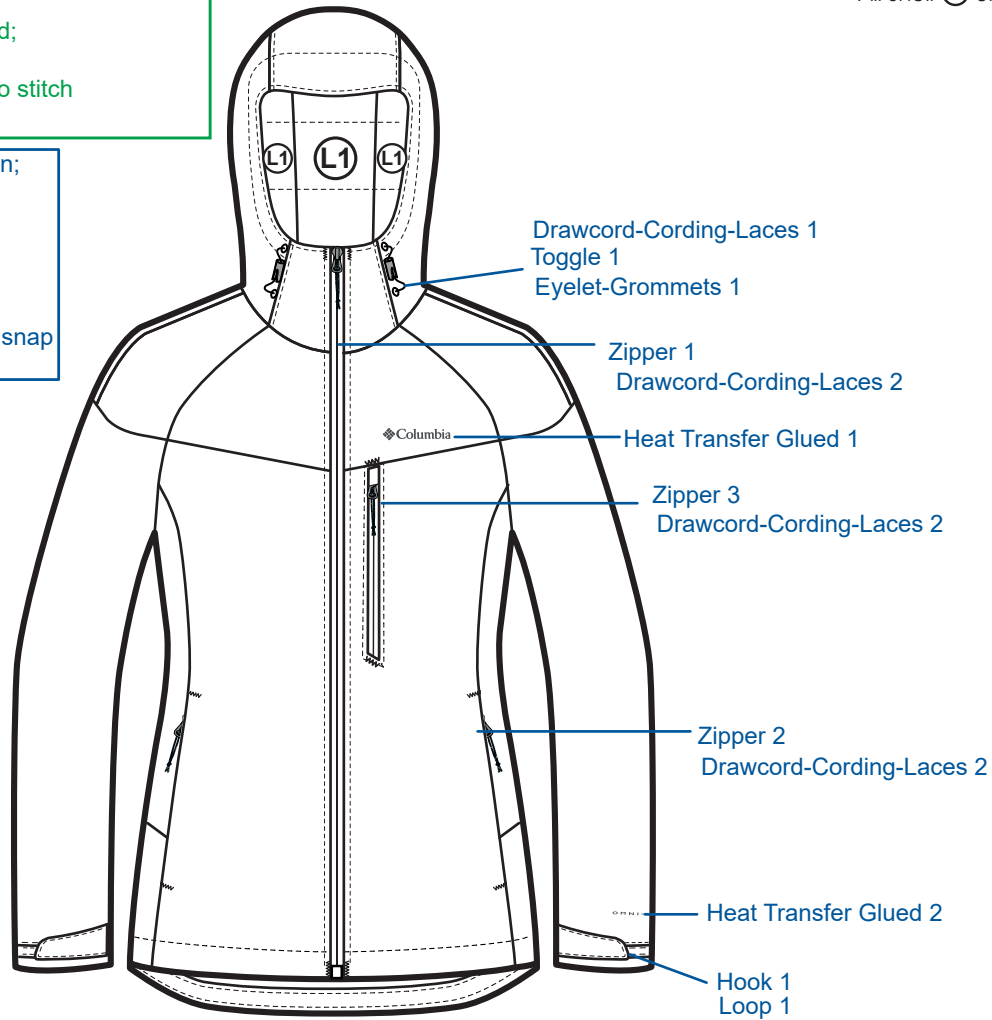


Last Updated: 10:31:22 WN

\*\*All Shell ① unless Indicated

ISO 301 1/8" for all toptitching unless otherwise noted;  
 ISO 301 as needed  
 ISO 301 1/16" edgestitch as needed;  
 ISO 301 1" sleeve/bottom hem;  
 ISO 301 4" spacing: quilting lines, to stitch insulations to linings.

L2: pocket bags, brushed side to skin;  
 L3: brushed side to skin;  
 Interfacing 1: as needed;  
 Insulation 1: throughout hood, body sleeves;  
 Adhesive 1: critically seam sealed;  
 Washers 1: to reinforce eyelets and snap studs if needed.

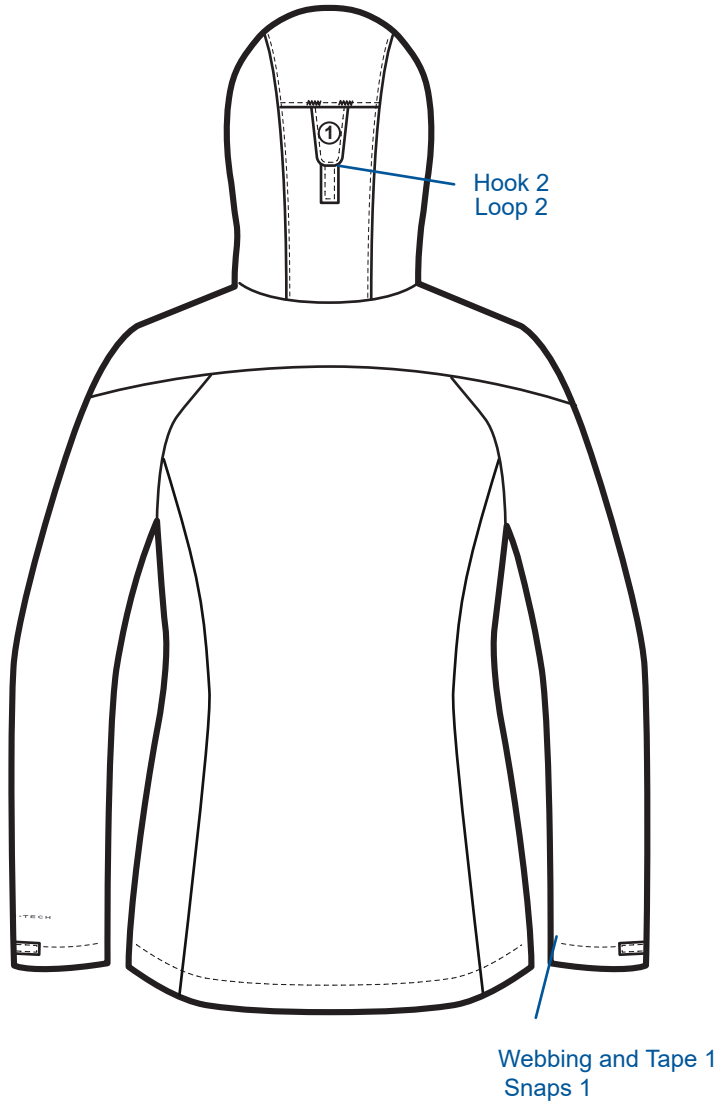


## Technical - F4WO212571-1 W Oak Ridge Interchange Jkt-Upd

Line Slot: Oak Ridge II Interchange Jacket		State: Production		Season: F24		Designer: mmejia			
Style	Style Description	Design	Pattern	Base Size	Size Scale	Fit	SMU Type	Sample LO	Production LO
XL5746	Oak Ridge™ II Interchange Jacket	F4WO212539		unassigned		Regular	Style Add		India
F4WO212572-1	W Oak Ridge Interchange Jkt-Upd	F4WO212572	L22L2074	M	XS - XXL	Regular	N/A		
F4WO212571-1	W Oak Ridge Interchange Jkt-Upd	F4WO212571	L22L2073	M	XS - XXL	Regular	N/A		



Last Updated: 7.15.21 LG

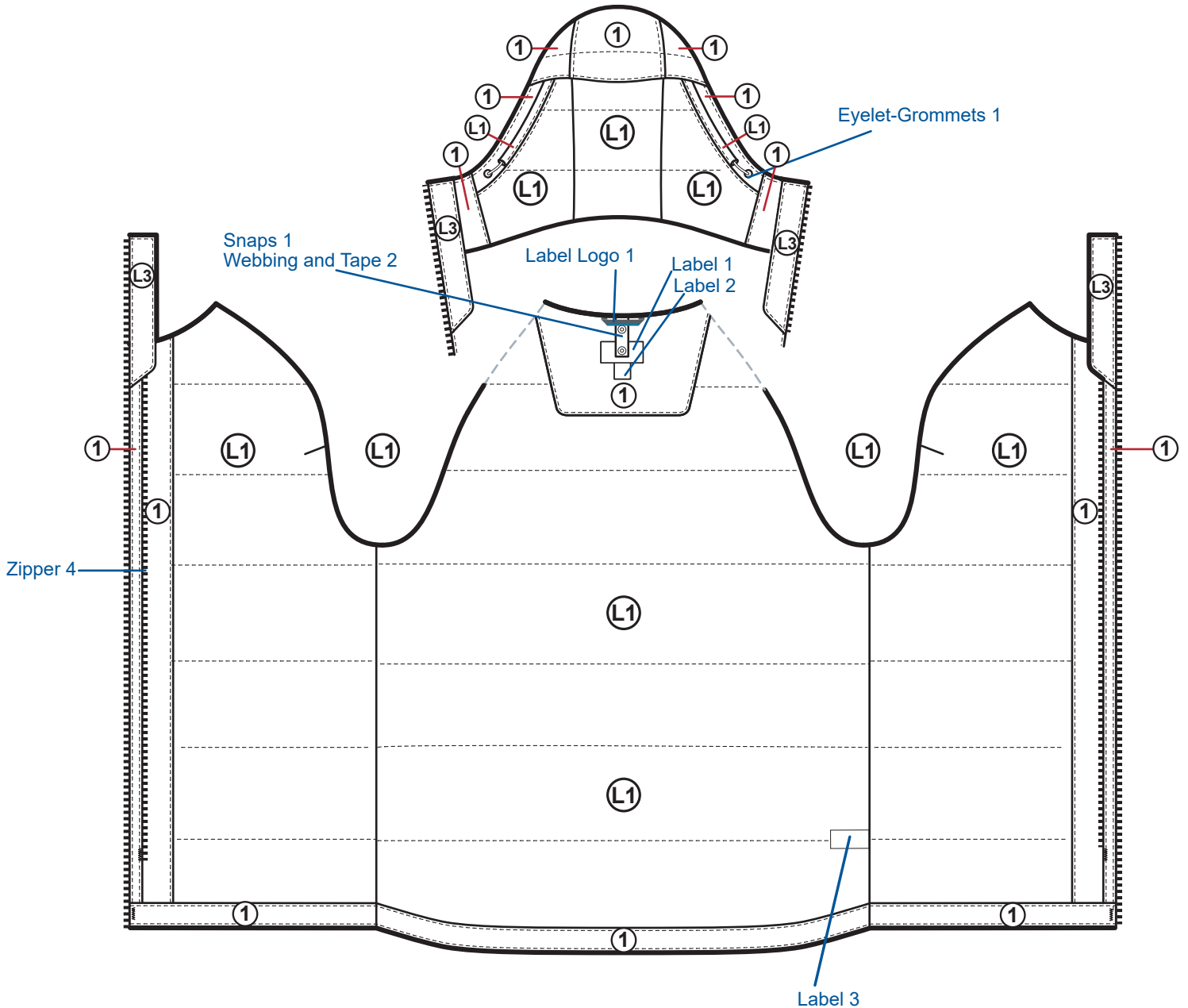


## Technical - F4WO212571-1 W Oak Ridge Interchange Jkt-Upd

Line Slot: Oak Ridge II Interchange Jacket		State: Production		Season: F24		Designer: mmejia			
Style	Style Description	Design	Pattern	Base Size	Size Scale	Fit	SMU Type	Sample LO	Production LO
XL5746	Oak Ridge™ II Interchange Jacket	F4WO212539		unassigned		Regular	Style Add		India
F4WO212572-1	W Oak Ridge Interchange Jkt-Upd	F4WO212572	L22L2074	M	XS - XXL	Regular	N/A		
F4WO212571-1	W Oak Ridge Interchange Jkt-Upd	F4WO212571	L22L2073	M	XS - XXL	Regular	N/A		

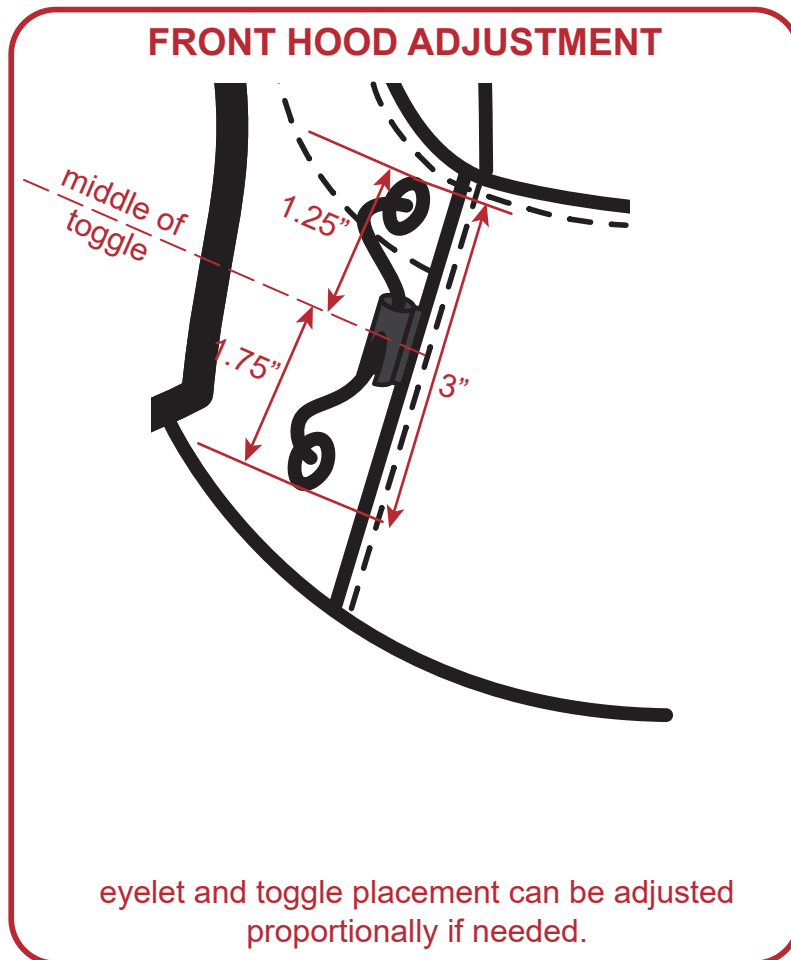


Last Updated: 11.04.21 KP



## Technical - F4WO212571-1 W Oak Ridge Interchange Jkt-Upd

Line Slot: Oak Ridge II Interchange Jacket		State: Production		Season: F24		Designer: mmejia			
Style	Style Description	Design	Pattern	Base Size	Size Scale	Fit	SMU Type	Sample LO	Production LO
XL5746	Oak Ridge™ II Interchange Jacket	F4WO212539		unassigned		Regular	Style Add		India
F4WO212572-1	W Oak Ridge Interchange Jkt-Upd	F4WO212572	L22L2074	M	XS - XXL	Regular	N/A		
F4WO212571-1	W Oak Ridge Interchange Jkt-Upd	F4WO212571	L22L2073	M	XS - XXL	Regular	N/A		

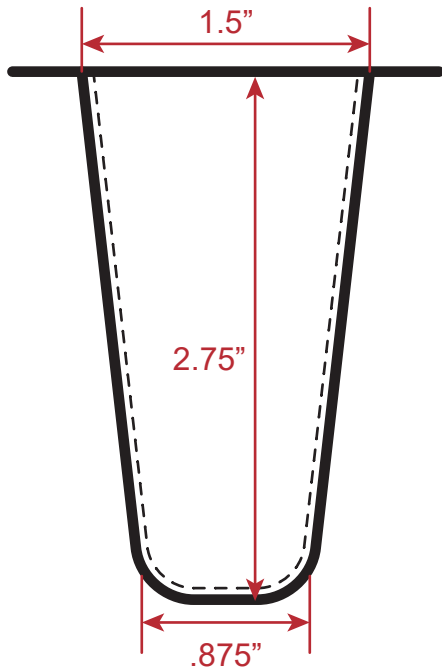


## Technical - F4WO212571-1 W Oak Ridge Interchange Jkt-Upd

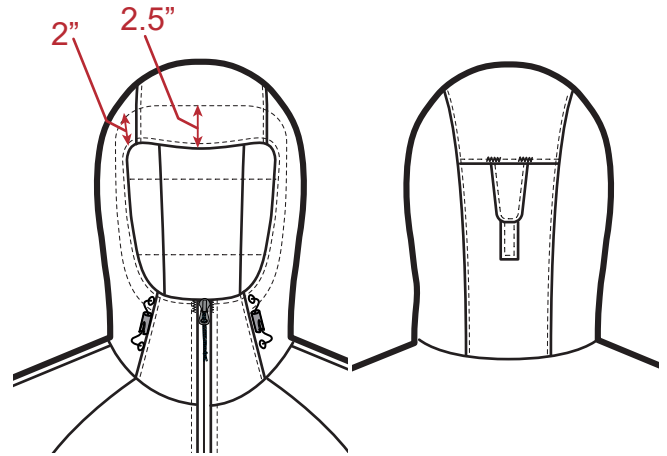
Line Slot: Oak Ridge II Interchange Jacket		State: Production		Season: F24		Designer: mmejia			
Style	Style Description	Design	Pattern	Base Size	Size Scale	Fit	SMU Type	Sample LO	Production LO
XL5746	Oak Ridge™ II Interchange Jacket	F4WO212539		unassigned		Regular	Style Add		India
F4WO212572-1	W Oak Ridge Interchange Jkt-Upd	F4WO212572	L22L2074	M	XS - XXL	Regular	N/A		
F4WO212571-1	W Oak Ridge Interchange Jkt-Upd	F4WO212571	L22L2073	M	XS - XXL	Regular	N/A		



### HOOD ADJUSTMENT TAB DETAIL 100% TO SCALE

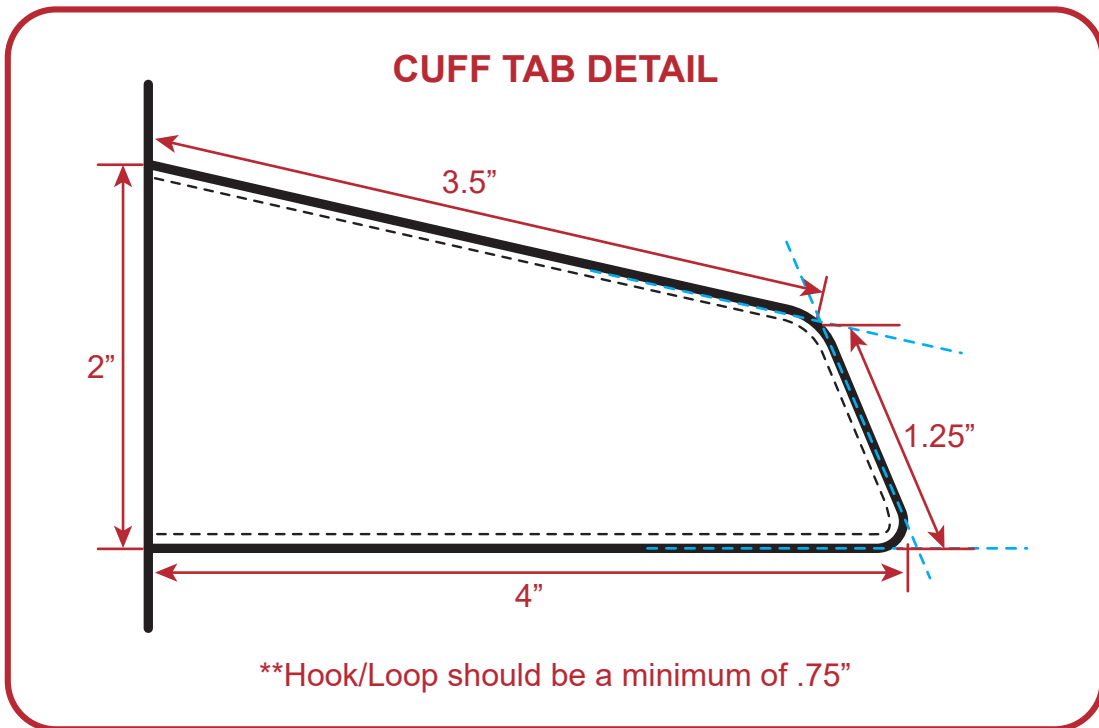


### ATTACHED HOOD DETAIL



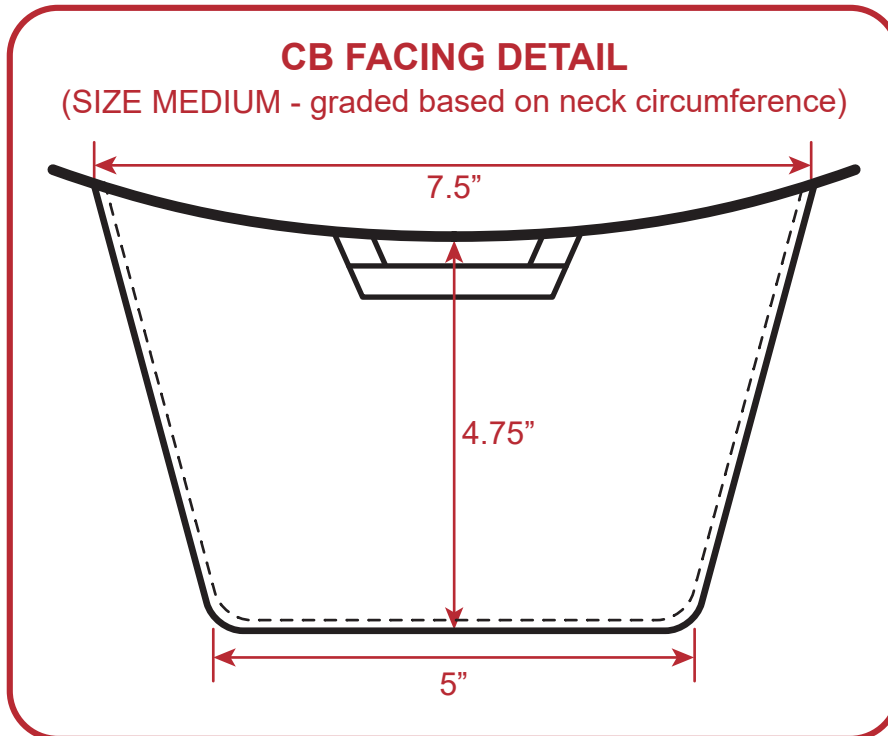
## Technical - F4WO212571-1 W Oak Ridge Interchange Jkt-Upd

Line Slot: Oak Ridge II Interchange Jacket		State: Production		Season: F24		Designer: mmejia			
Style	Style Description	Design	Pattern	Base Size	Size Scale	Fit	SMU Type	Sample LO	Production LO
XL5746	Oak Ridge™ II Interchange Jacket	F4WO212539		unassigned		Regular	Style Add		India
F4WO212572-1	W Oak Ridge Interchange Jkt-Upd	F4WO212572	L22L2074	M	XS - XXL	Regular	N/A		
F4WO212571-1	W Oak Ridge Interchange Jkt-Upd	F4WO212571	L22L2073	M	XS - XXL	Regular	N/A		



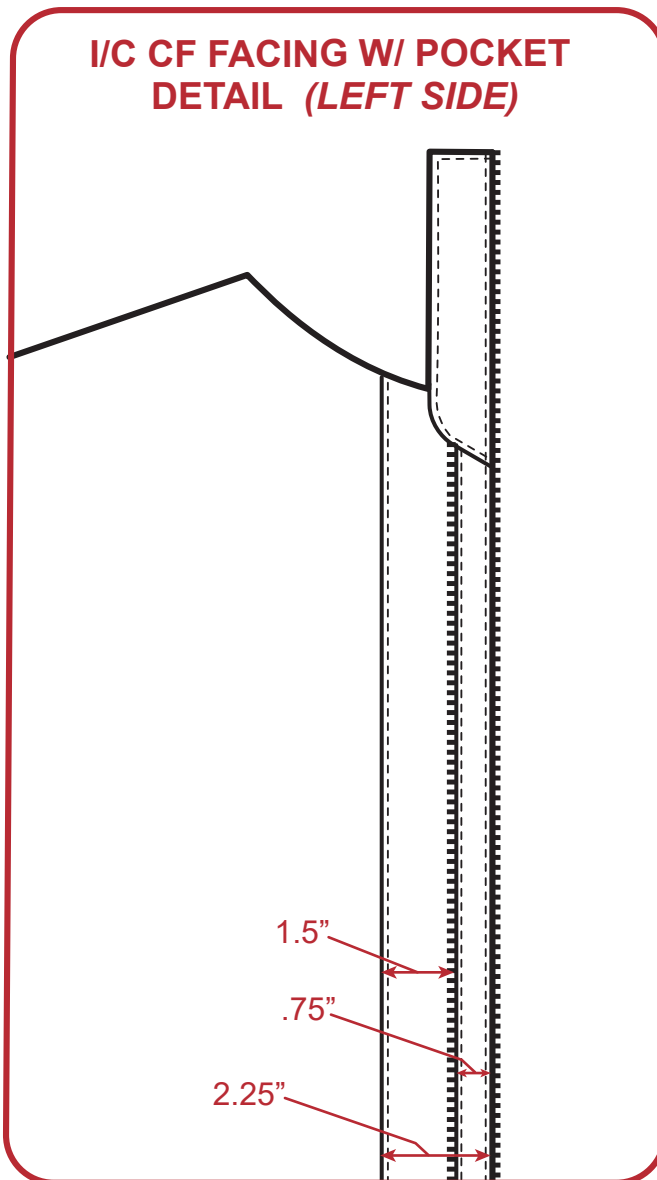
## Technical - F4WO212571-1 W Oak Ridge Interchange Jkt-Upd

Line Slot: Oak Ridge II Interchange Jacket		State: Production		Season: F24		Designer: mmejia			
Style	Style Description	Design	Pattern	Base Size	Size Scale	Fit	SMU Type	Sample LO	Production LO
XL5746	Oak Ridge™ II Interchange Jacket	F4WO212 539		unassigned		Regular	Style Add		India
F4WO212 572-1	W Oak Ridge Interchange Jkt-Upd	F4WO212 572	L22L2074	M	XS - XXL	Regular	N/A		
F4WO212 571-1	W Oak Ridge Interchange Jkt-Upd	F4WO212 571	L22L2073	M	XS - XXL	Regular	N/A		



### Technical - F4WO212571-1 W Oak Ridge Interchange Jkt-Upd

Line Slot: Oak Ridge II Interchange Jacket		State: Production		Season: F24		Designer: mmejia			
Style	Style Description	Design	Pattern	Base Size	Size Scale	Fit	SMU Type	Sample LO	Production LO
XL5746	Oak Ridge™ II Interchange Jacket	F4WO212539		unassigned		Regular	Style Add		India
F4WO212572-1	W Oak Ridge Interchange Jkt-Upd	F4WO212572	L22L2074	M	XS - XXL	Regular	N/A		
F4WO212571-1	W Oak Ridge Interchange Jkt-Upd	F4WO212571	L22L2073	M	XS - XXL	Regular	N/A		



This is confidential and proprietary information of Columbia Sportswear Company. You agree that you will not disclose this information to any third party or use it for any purpose other than on behalf of Columbia. You have no right to use Columbia's name or any of its trademarks, trade names, copyrights, patents, designs or other intellectual property except as set forth in writing by Columbia.



## Technical - F4WO212572-1 W Oak Ridge Interchange Jkt-Upd

Line Slot: Oak Ridge II Interchange Jacket		State: Production		Season: F24		Designer: mmejia			
Style	Style Description	Design	Pattern	Base Size	Size Scale	Fit	SMU Type	Sample LO	Production LO
XL5746	Oak Ridge™ II Interchange Jacket	F4WO212 539		unassigned		Regular	Style Add		India
F4WO212 572-1	W Oak Ridge Interchange Jkt-Upd	F4WO212 572	L22L2074	M	XS - XXL	Regular	N/A		
F4WO212 571-1	W Oak Ridge Interchange Jkt-Upd	F4WO212 571	L22L2073	M	XS - XXL	Regular	N/A		

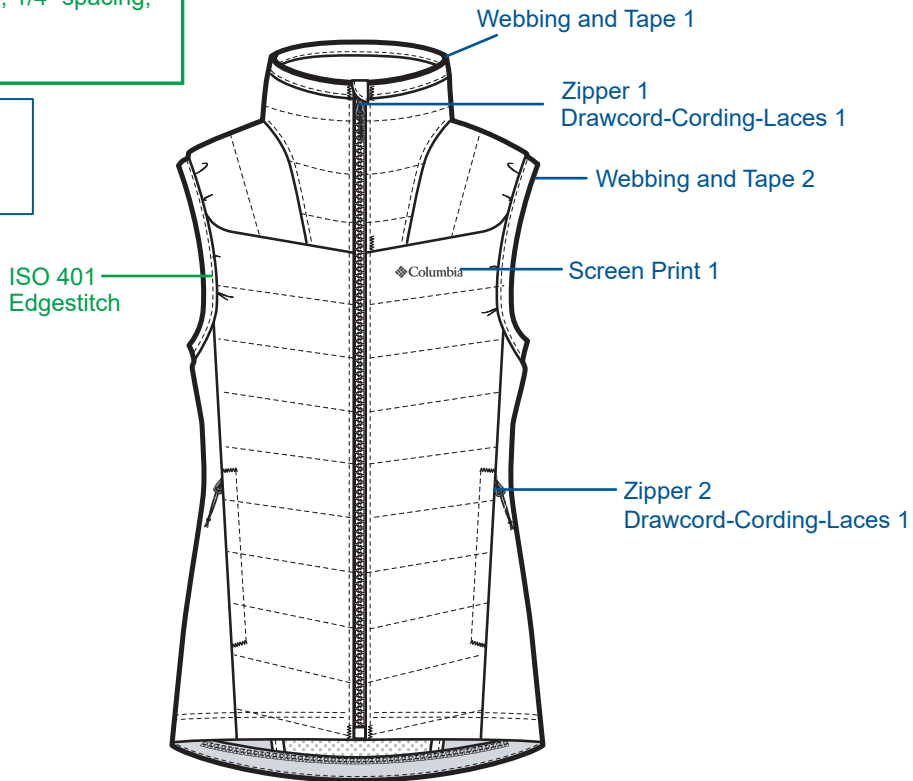


Last Updated: 10.31.22 WN

ISO 301 1/8" for all toptitching unless otherwise noted;  
 ISO 301 as needed  
 ISO 301 1/16" edgestitch as needed;  
 ISO 301 5/8" spacing: hand pkt welt;  
 ISO 406 2 Needle Bottom Coverstitch, 1/4" spacing,  
 1" from edge: bottom hem;  
 ISO 301 2" spacing: quilting lines.

L2: pocket bags, brushed side to skin;  
 L3: brushed side to skin;  
 Interfacing 1: as needed;  
 Insulation 1: at quilted areas;

= Single layer, unlined  
 = Insulated

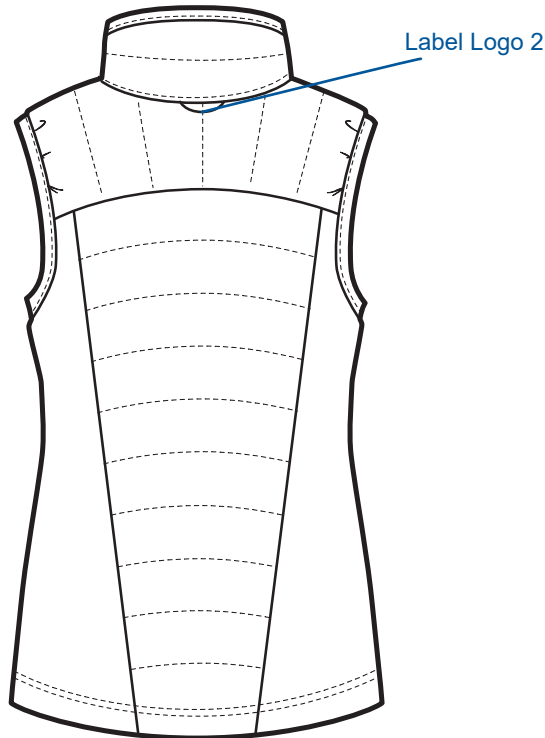


## Technical - F4WO212572-1 W Oak Ridge Interchange Jkt-Upd

Line Slot: Oak Ridge II Interchange Jacket		State: Production		Season: F24		Designer: mmejia			
Style	Style Description	Design	Pattern	Base Size	Size Scale	Fit	SMU Type	Sample LO	Production LO
XL5746	Oak Ridge™ II Interchange Jacket	F4WO212539		unassigned		Regular	Style Add		India
F4WO212572-1	W Oak Ridge Interchange Jkt-Upd	F4WO212572	L22L2074	M	XS - XXL	Regular	N/A		
F4WO212571-1	W Oak Ridge Interchange Jkt-Upd	F4WO212571	L22L2073	M	XS - XXL	Regular	N/A		



- = Single layer, unlined
- = Insulated

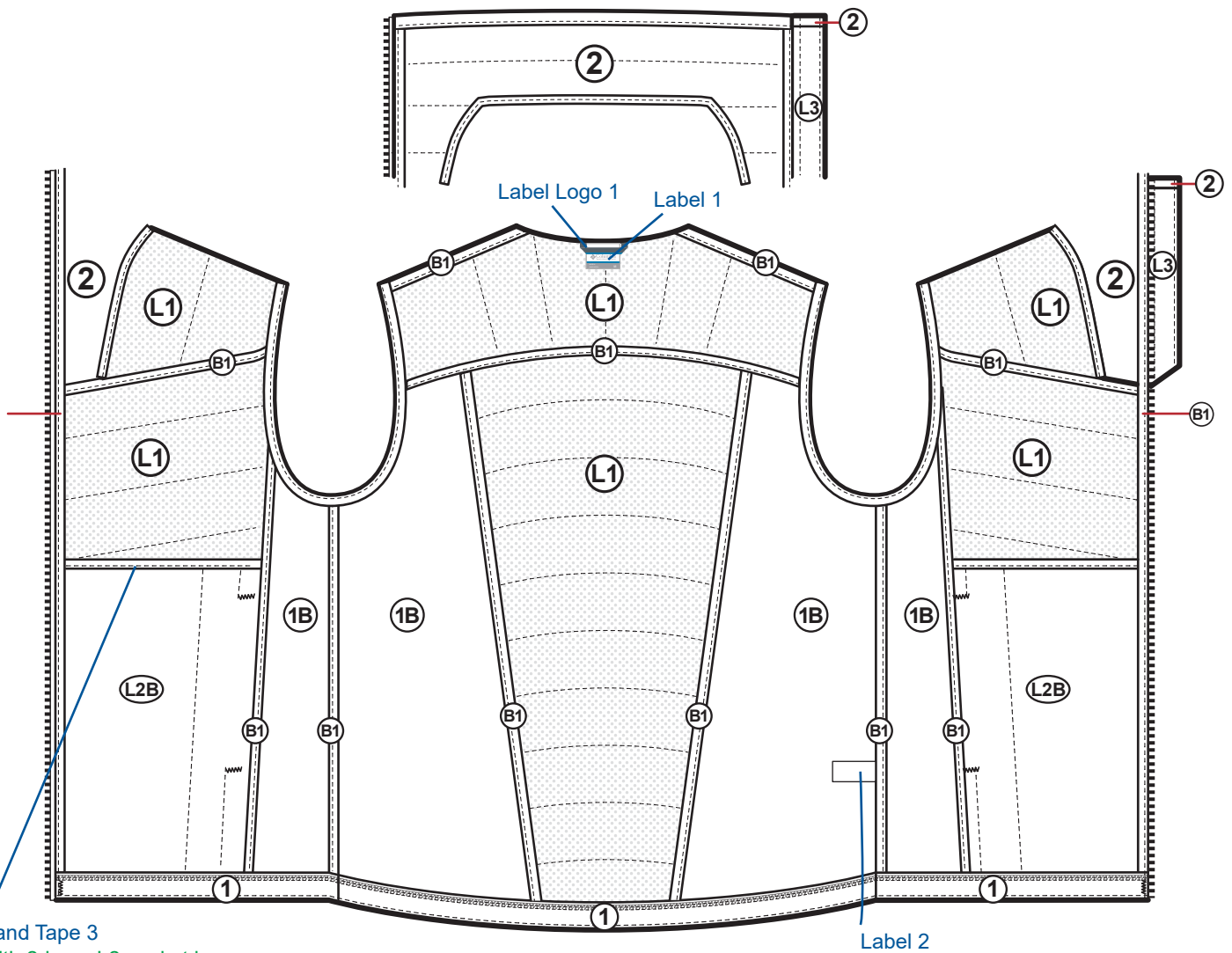


## Technical - F4WO212572-1 W Oak Ridge Interchange Jkt-Upd

Line Slot: Oak Ridge II Interchange Jacket		State: Production		Season: F24		Designer: mmejia			
Style	Style Description	Design	Pattern	Base Size	Size Scale	Fit	SMU Type	Sample LO	Production LO
XL5746	Oak Ridge™ II Interchange Jacket	F4WO212 539		unassigned		Regular	Style Add		India
F4WO212 572-1	W Oak Ridge Interchange Jkt-Upd	F4WO212 572	L22L2074	M	XS - XXL	Regular	N/A		
F4WO212 571-1	W Oak Ridge Interchange Jkt-Upd	F4WO212 571	L22L2073	M	XS - XXL	Regular	N/A		



Last Updated: 10.31.22 WN



Webbing and Tape 3  
 Sample with 2-layer L2 pocket bag.  
 Bind the top edge of pocket bag with Webbing and Tape 3.  
 Hand pocket bag full also function as an internal drop-in pocket.

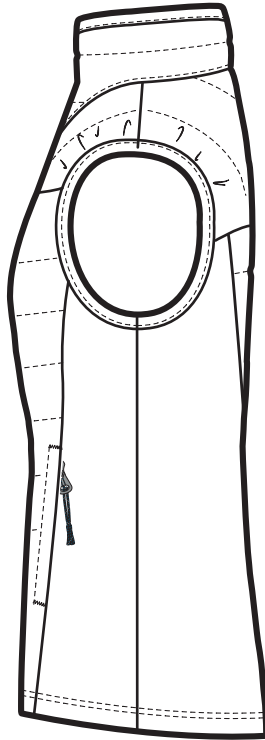
## Technical - F4WO212572-1 W Oak Ridge Interchange Jkt-Upd

Line Slot: Oak Ridge II Interchange Jacket		State: Production		Season: F24		Designer: mmejia			
Style	Style Description	Design	Pattern	Base Size	Size Scale	Fit	SMU Type	Sample LO	Production LO
XL5746	Oak Ridge™ II Interchange Jacket	F4WO212539		unassigned		Regular	Style Add		India
F4WO212572-1	W Oak Ridge Interchange Jkt-Upd	F4WO212572	L22L2074	M	XS - XXL	Regular	N/A		
F4WO212571-1	W Oak Ridge Interchange Jkt-Upd	F4WO212571	L22L2073	M	XS - XXL	Regular	N/A		



Last Updated: 8.10.22 KG

### SIDE VIEW

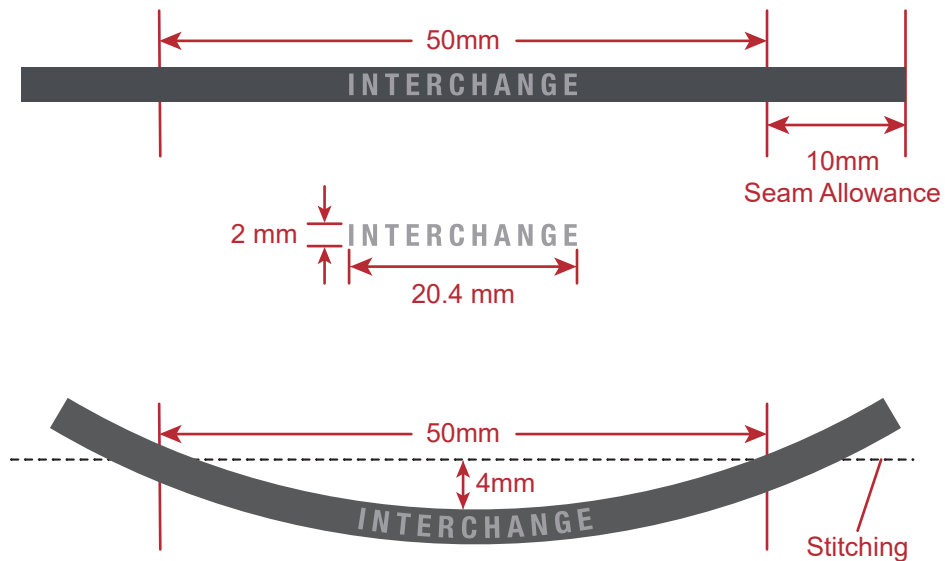


## Technical - F4WO212572-1 W Oak Ridge Interchange Jkt-Upd

Line Slot: Oak Ridge II Interchange Jacket		State: Production		Season: F24		Designer: mmejia			
Style	Style Description	Design	Pattern	Base Size	Size Scale	Fit	SMU Type	Sample LO	Production LO
XL5746	Oak Ridge™ II Interchange Jacket	F4WO212 539		unassigned		Regular	Style Add		India
F4WO212 572-1	W Oak Ridge Interchange Jkt-Upd	F4WO212 572	L22L2074	M	XS - XXL	Regular	N/A		
F4WO212 571-1	W Oak Ridge Interchange Jkt-Upd	F4WO212 571	L22L2073	M	XS - XXL	Regular	N/A		



### I/C LOOPS AT CB NECKLINE



For the Liner Jackets Center-Back neckseam Interchange Loop: Please make sure the "INTERCHANGE" text will be shown front and center; please make sure the loop won't twist.

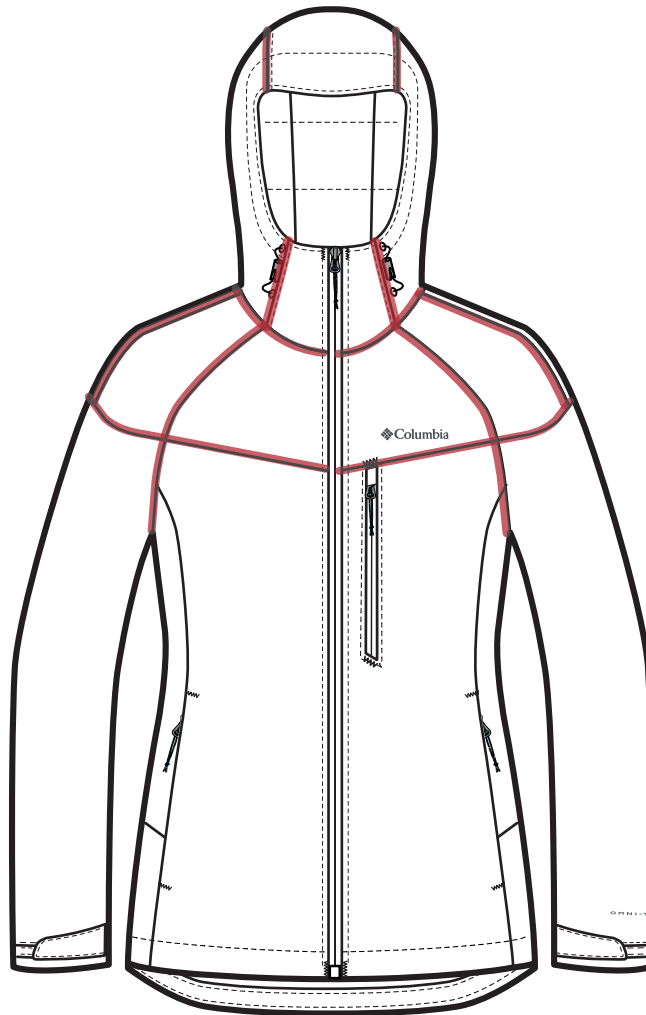
This is confidential and proprietary information of Columbia Sportswear Company. You agree that you will not disclose this information to any third party or use it for any purpose other than on behalf of Columbia. You have no right to use Columbia's name or any of its trademarks, trade names, copyrights, patents, designs or other intellectual property except as set forth in writing by Columbia.

## Detail Sketch - F4WO212571-1 W Oak Ridge Interchange Jkt-Upd

Line Slot: Oak Ridge II Interchange Jacket		State: Production		Season: F24		Designer: mmejia			
Style	Style Description	Design	Pattern	Base Size	Size Scale	Fit	SMU Type	Sample LO	Production LO
XL5746	Oak Ridge™ II Interchange Jacket	F4WO212539		unassigned		Regular	Style Add		India
F4WO212572-1	W Oak Ridge Interchange Jkt-Upd	F4WO212572	L22L2074	M	XS - XXL	Regular	N/A		
F4WO212571-1	W Oak Ridge Interchange Jkt-Upd	F4WO212571	L22L2073	M	XS - XXL	Regular	N/A		



Last Updated: 10.31.22 WN

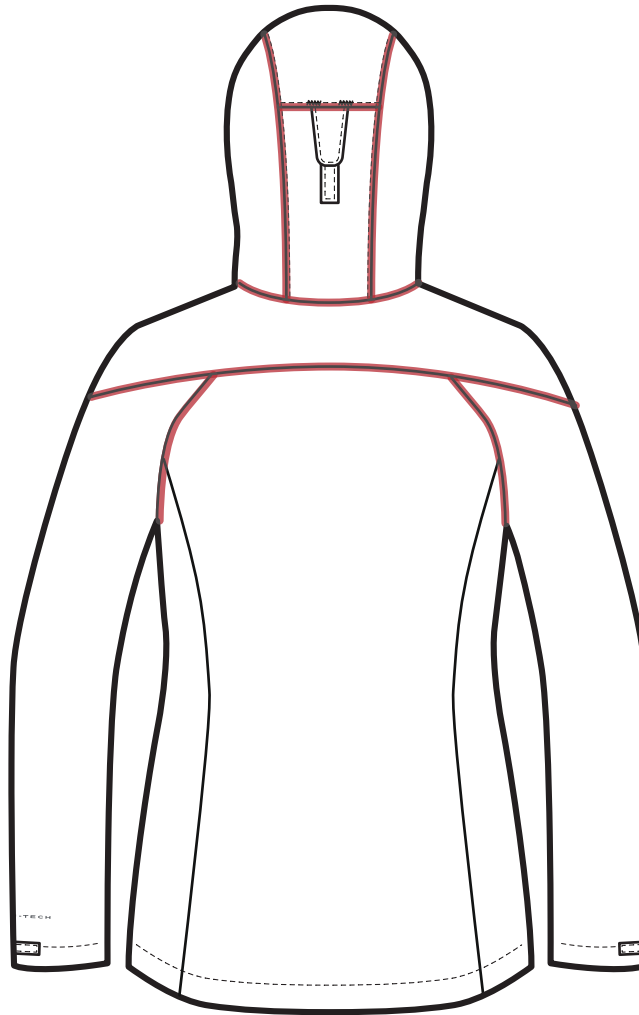


## Detail Sketch - F4WO212571-1 W Oak Ridge Interchange Jkt-Upd

Line Slot: Oak Ridge II Interchange Jacket		State: Production		Season: F24		Designer: mmejia			
Style	Style Description	Design	Pattern	Base Size	Size Scale	Fit	SMU Type	Sample LO	Production LO
XL5746	Oak Ridge™ II Interchange Jacket	F4WO212539		unassigned		Regular	Style Add		India
F4WO212572-1	W Oak Ridge Interchange Jkt-Upd	F4WO212572	L22L2074	M	XS - XXL	Regular	N/A		
F4WO212571-1	W Oak Ridge Interchange Jkt-Upd	F4WO212571	L22L2073	M	XS - XXL	Regular	N/A		



Last Updated: 7.15.21 LG



This is confidential and proprietary information of Columbia Sportswear Company. You agree that you will not disclose this information to any third party or use it for any purpose other than on behalf of Columbia. You have no right to use Columbia's name or any of its trademarks, trade names, copyrights, patents, designs or other intellectual property except as set forth in writing by Columbia.